

**● Product Picture/产品外观图片**

**● Features/产品特性描述**

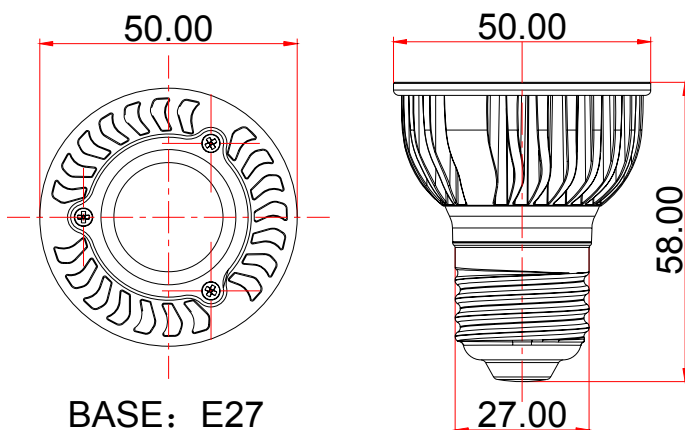
1. Emitted Color/发光颜色: Pure White/正白、Warm White/暖白
2. Lens Appearance/发光体种类: Water Clear/透明
3. Material of crust /外壳材质: Aluminum hull /铝质外壳
4. CE Approved /产品安全规范符合 CE 标准
5. RoHS Compliant /产品符合欧盟相关 RoHS 法规
6. Base Type /接口类型: E27
7. Choices of luminous intensities for indoor application/选择的发光强度适合于室内照明
8. The useful lifetime of the product is more than 30000 hours/该产品使用寿命超过 30000 小时

**● Absolute Maximum Ratings /产品的极限使用条件**

Parameter /项目	Symbol /代码	Rating /范围			Unit
		Min./最小值	Typ./标准值	Max./最大值	
Input Voltage AC/输入电压	V <sub>in</sub>	90	230	245	V
AC Frequency /电压频率	F	47	50	63	Hz
Input Current AC/输入电流	I(rms)	0.036	0.032	0.068	A
Operating Tem./工作温度	T <sub>a</sub>	-25	25	50	°C
Operating Hum./相对湿度	H <sub>a</sub>	5%-95%(No Water/不结露)			-
Storage Tem./存储温度	T <sub>s</sub>	-35~60			°C

**● Electrical and optical characteristics (Ta=25°C) /产品的电气及光电参数**

Parameter /项目	Condition/条件	Symbol /代码	Min./最小值	Typ./标准值	Max./最大值	Unit
Power Dissipation /功率	V <sub>in</sub> =230V~,50Hz	P <sub>d</sub>	3.5	4	5	W
Luminous Flux /光通量	V <sub>in</sub> =230V~,50Hz	IV(P)	120	150	180	Lm
		IV(W)	100	130	160	Lm
Color Temperature /色温	V <sub>in</sub> =230V~,50Hz	C.T.(P)	4000	6000	8000	K
		C.T.(W)	3000	3500	4000	K
Viewing Angle /发光角度	V <sub>in</sub> =230V~,50Hz	θ	-	45	-	Deg

**● Package Dimensions /产品尺寸图**

**Notes /备注:**

1. All dimensions are in millimeters. /所有的尺寸单位为 mm.
2. Tolerance is  $\pm 0.5$  mm unless otherwise specified. /默认的尺寸公差为 $\pm 0.5$  mm.
3. Specifications are subject to change without notice. /产品外形若有变更, 恕不特别通知.