

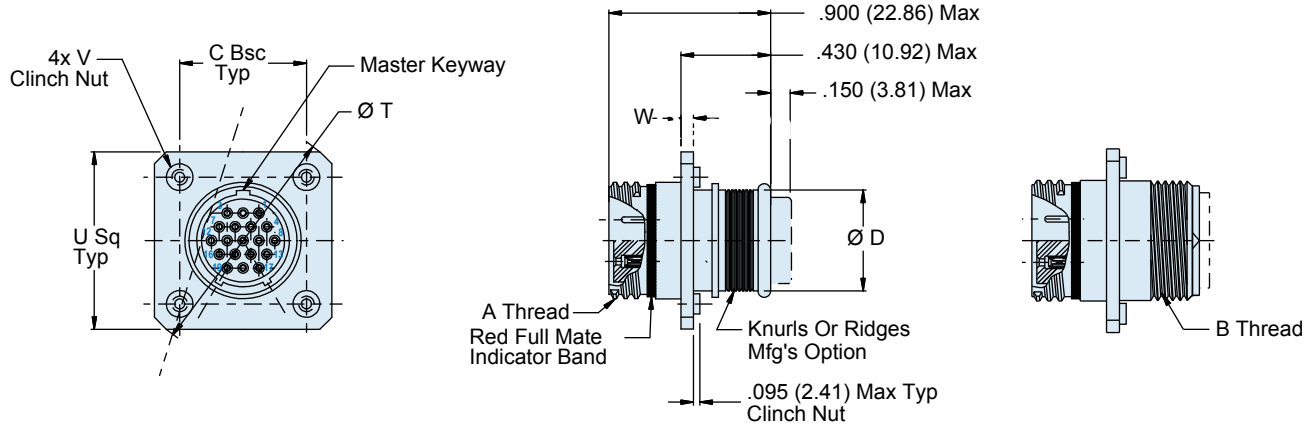
Series 801 Mighty Mouse Double-Start ACME Threads Square Flange Receptacle

801-009-12 and 801-010-22 - Dimensions



Fiber Optic
Mighty Mouse

Rear panel mount receptacle - shell style 12 and 22



Integral Band Platform
801-009-12 and 801-009-22

Accessory Thread
801-010-12 and 801-010-22

Shell Size	Dimensions						
	A Thread	B Thread	C BSC	Ø T	U SQ	V Clinch Nut	W
5	.3125-.05P-.1L-DS-2A	.2500-32 UNEF-2A	0.363	0.774	0.623	2-56	0.030
6	.3750-.05P-.1L-DS-2A	.3125-32 UNEF-2A	0.423	0.860	0.683		
7	.4375-.05P-.1L-DS-2A	.4375-28 UNEF-2A	0.483	0.944	0.743		
8	.5000-.05P-.1L-DS-2A	.5000-28 UNEF-2A	0.545	1.032	0.805		
9	.5625-.05P-.1L-DS-2A	.5625-24 UNEF-2A	0.607	1.180	0.927	4-40	0.060
10	.6250-.05P-.1L-DS-2A	.6250-24 UNEF-2A	0.670	1.268	0.990		
11	.6875-.05P-.1L-DS-2A	.6875-24 UNEF-2A	0.715	1.331	1.035		
13	.8125-.1P-.2L-DS-2A	.6875-24 UNEF-2A	0.812	1.470	1.132		
16	1.0000-.1P-.2L-DS-2A	.9375-20 UNEF-2A	0.981	1.708	1.301		
17	1.0625-.1P-.2L-DS-2A	.9375-20 UNEF-2A	1.060	1.822	1.382		
19	1.1875-.1P-.2L-DS-2A	1.0625-18 UNEF-2A	1.191	2.006	1.511		
21	1.3125-.1P-.2L-DS-2A	1.1875-18 UNEF-2A	1.322	2.190	1.642		

Series 801 Front and Rear Mount Panel Cutout			
Ø R	G BSC	H Holes	4X Ø H
0.423	0.096	0.390	
0.483	0.091	0.453	
0.545		0.515	
0.607		0.578	
0.670		0.640	
0.715		0.703	
0.812	0.130	0.828	
0.981	0.126	1.015	
1.060		1.078	
1.191		1.203	
1.322		1.328	

NOTES

1. Grommet protrudes for power/combo/#8 arrangements.
2. For all #8 arrangements, add .100" to length of banding platform.
3. For all #8 arrangements, add .340" to overall length.

Dimensions in Inches (millimeters) are subject to change without notice.