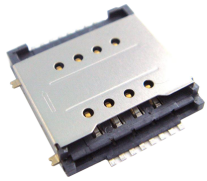




LTEM NO.: SIM-020X (Consumer Electronics)

(17.5L × 17.5W × 3.0H & MINI-SIM Sockets)

MEMORY-CARD-SOCKETS



Technical parameter

外焊贴装 SMT

PROJECT	LEVEL	A[better product]		B[average product]	
Electrical Properties	Contact Rating	50mA, 24V DC			
	Initial Contact Resistance	50mΩ max.		80mΩ max.	
	Insulation Resistance	100MΩ min. 500V DC			
	Withstand Voltage	500V AC for 1 minute		350 V AC for 1 minut	
Durable Performance	There No Load	5,000 Cycles		3,500 Cycles	
	Rated Load	3,500 Cycles		3,000 Cycles	
	Storage temp.	-35℃~+75℃(Operating Temp:)			

側向導入 LATERAL

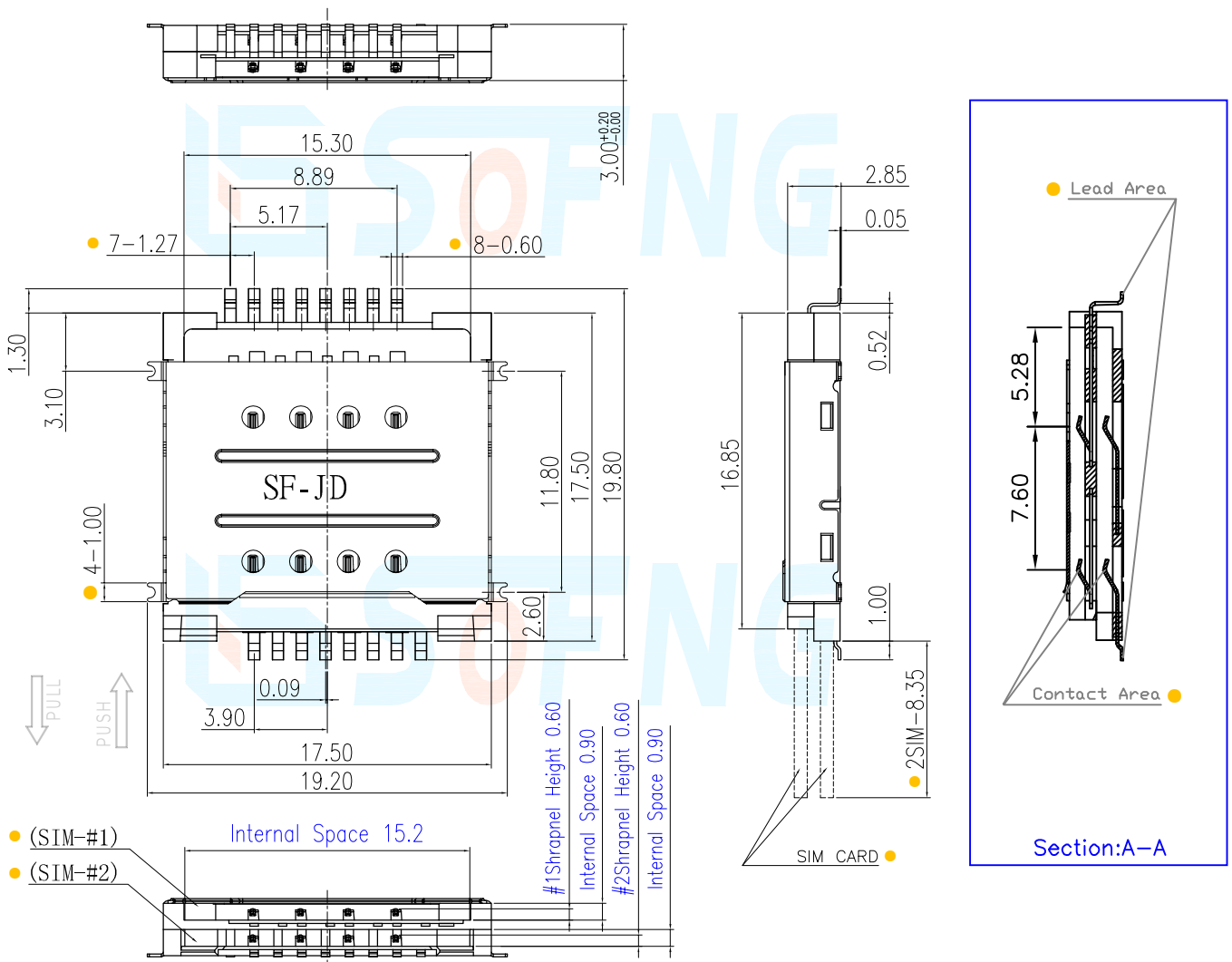
精密部品 NICETY

可靠 STABILIZE

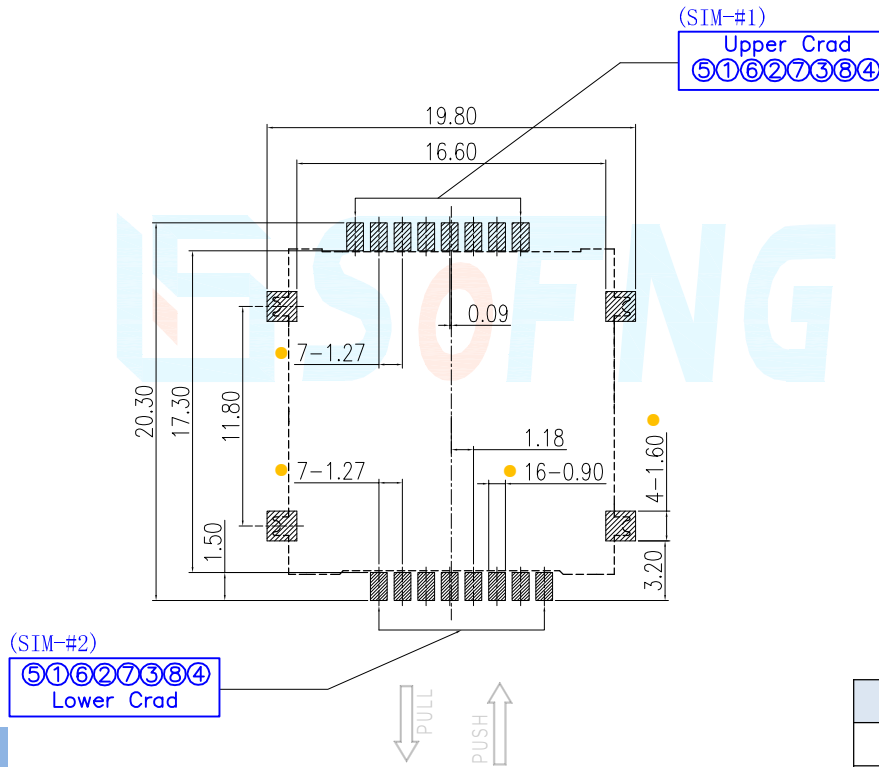
適合環保 RoHS

Page1

Unit:mm



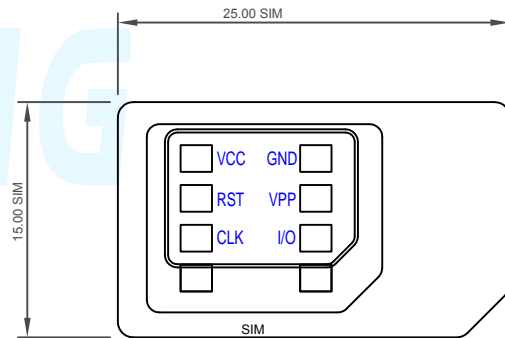
Operating Force	Inward	2.5~3.5N. (1N.=100gram-force)	Solder-ability (Max.)	IR Reflow:255°C,5sec.
	Exiting	2.5~3.5N. (1N.=100gram-force)		Manual:350°C,3sec.



DECIMALS	ANGLES
X : ±0.50	X° : ±3°
X.X : ±0.35	X.X° : ±1°
X.XX : ±0.25	X.XX° : ±0.5°

Pin definition

Pin No.	Pin NAME	Type	Description
C ①	卡電源	1	VCC
C ②	復位	1	RST
C ③	時鐘	1	CLK
C ④	Reserved	1	Reserved
C ⑤	接地	1	GND
C ⑥	Vpp	1	VPP
C ⑦	輸入/輸出	1	I/O
C ⑧	Reserved	1	Reserved



Reference

MINI-SIM

Material declaration

NAME	MATERIAL	PLATING
1 基座 HOUSING	LCP 耐热塑胶 (UL94V-0)BLACK	SET
2 接触端子 TERMINAL	C5210-EH (t=0.20mm)磷铜【镍基 Ni50u" 镀金 1u"】	G/F
3 上盖 COVER	SUS304(t=0.25mm)不锈钢【GND 焊点镀金 1u"】	G/F

本品不屬於危害性廢棄物,須丟棄時可以委託回收商予以回收再生處理。Products do not belong to hazardous waste,When waste can recycling processing

運送時本產品不要直接與水、酸鹼性化學物質接觸,或放置於含有以上氣體環境中,並且需要注意會有滑落、側翻的危險發生;運輸過程中不能有碰撞或者擠壓,須保證溫度與濕度適中[常溫 25°C,濕度在 50°C 以內],不可導致材料變形或氧化。

注記 NOTICE

1. 碩方公司擁有最終解釋權; The SOFNG company reserves the right of final interpretation;
2. 文件禁止外洩、轉載; Leaked and reproduced prohibited;
3. 未經授權修改無效。Modify is invalid.