

**PLEASE CHECK WWW.MOLEX.COM FOR LATEST PART INFORMATION**

**Part Number:** [0906633263](#)  
**Status:** **Active**  
**Description:** 2.54mm (.100") Pitch QF-50™ Right Angle, MIL Keying with Latch/Eject Levers, Shrouded Header, 26 Circuits

**Documents:**

[3D Model](#) [Product Specification PS-99020-0015 \(PDF\)](#)  
[Drawing \(PDF\)](#) [RoHS Certificate of Compliance \(PDF\)](#)

**Agency Certification**

CSA LR19980  
 UL E29179

**General**

Product Family Ribbon Cable / Wire Trap Connectors  
 Series [90663](#)  
 Comments MIL/DIN Compliance  
 Component Type PCB Header  
 Glow-Wire Compliant No  
 Product Name QF-50™

**Physical**

Circuits (Loaded) 26  
 Color - Resin Black  
 Durability (mating cycles max) 300  
 Entry Angle 90° Angle  
 Flammability 94V-0  
 Lock to Mating Part None  
 Material - Metal Brass  
 Material - Plating Mating Gold  
 Material - Plating Termination Tin  
 Material - Resin Polyester  
 Number of Rows 2  
 PCB Retention None  
 PCB Thickness Recommended (in) 0.062 In  
 PCB Thickness Recommended (mm) 1.60 mm  
 Packaging Type Tray  
 Pitch - Mating Interface (in) 0.100 In  
 Pitch - Mating Interface (mm) 2.54 mm  
 Plating min: Mating (µin) 10  
 Plating min: Mating (µm) 0.25  
 Plating min: Termination (µin) 118  
 Plating min: Termination (µm) 3  
 Polarized to PCB No  
 Shrouded Fully  
 Stackable No  
 Surface Mount Compatible (SMC) No  
 Temperature Range - Operating -25°C to +85°C  
 Termination Interface: Style Through Hole  
 Wire Insulation Diameter N/A  
 Wire Size AWG N/A  
 Wire/Cable Type Ribbon Cable

**Electrical**

Current - Maximum per Contact 2.5A  
 Voltage - Maximum 250V AC/DC



**EU RoHS**

**ELV and RoHS Compliant**  
**REACH SVHC**  
 Not Reviewed  
**Halogen-Free Status**  
 Not Reviewed

**China RoHS**



**Need more information on product environmental compliance?**

Email [productcompliance@molex.com](mailto:productcompliance@molex.com)  
 For a multiple part number RoHS Certificate of Compliance, [click here](#)

Please visit the [Contact Us](#) section for any non-product compliance questions.

**Search Parts in this Series**

[90663Series](#)

**Mates With**

[90635](#)

**Solder Process Data**

Lead-free Process Capability

Wave Capable (TH only)

**Material Info****Reference - Drawing Numbers**

Product Specification

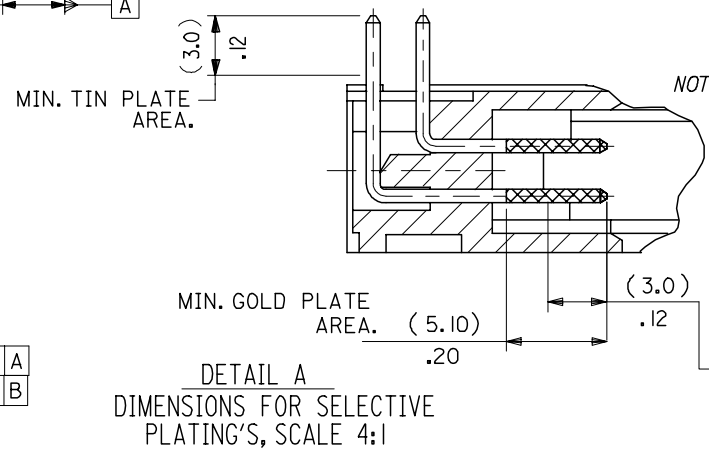
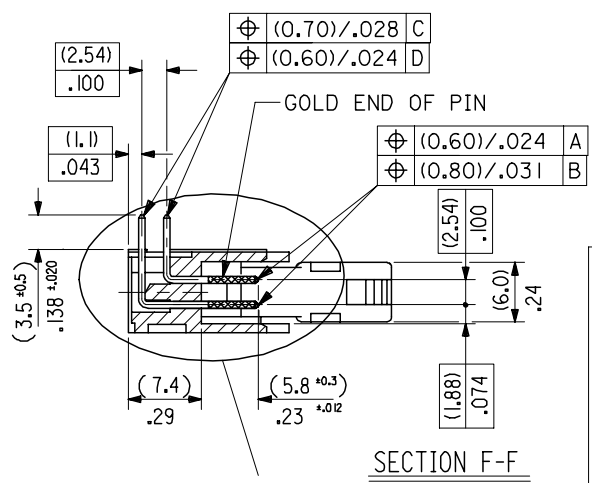
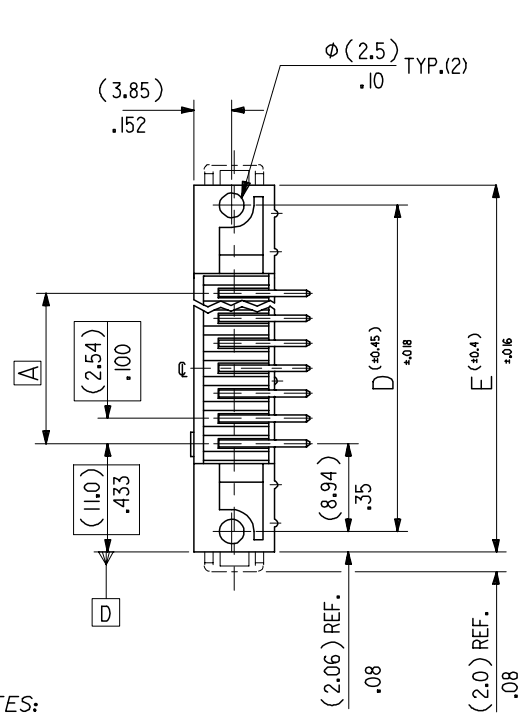
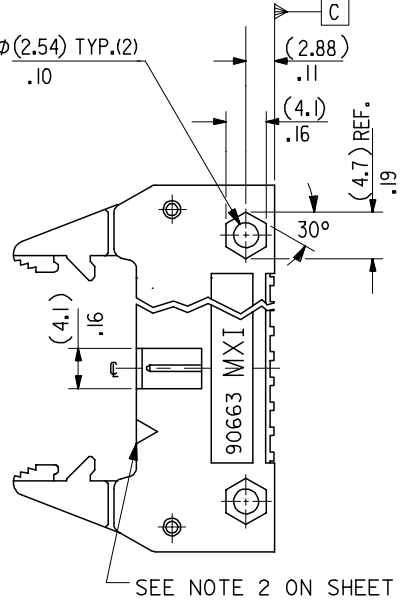
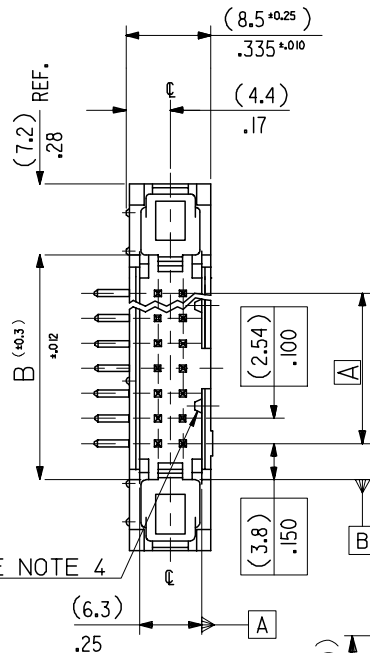
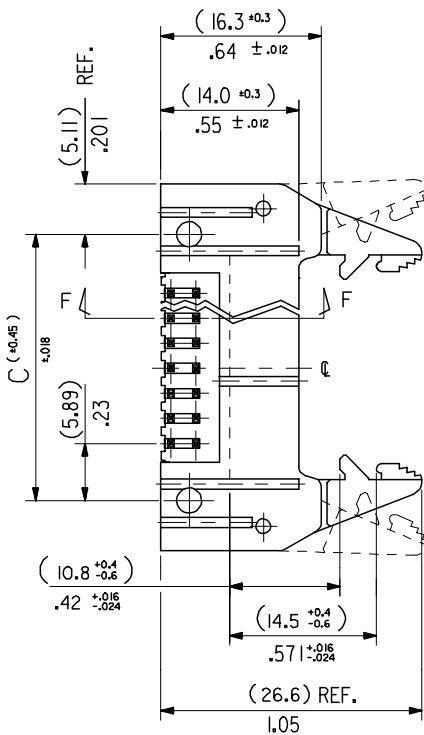
PS-99020-0015

Sales Drawing

SDA-90663E

This document was generated on 03/16/2010

**PLEASE CHECK [WWW.MOLEX.COM](http://WWW.MOLEX.COM) FOR LATEST PART INFORMATION**



- NOTES:
- 1: FOR MATERIAL SPECIFICATION SEE NOTE 1 ON SHEET 4.
  - 2: FOR RECOMMENDED P.C.B. HOLE PATTERN, PART No's AND UNSTATED DIMENSIONS SEE SHEET 4.
  - 3: PRODUCT SPEC.No.: PS-99020-0015.
  - 4: THIS RIB IS NOT PRESENT ON 10 & 14 CKT PARTS

DETAIL A  
DIMENSIONS FOR SELECTIVE PLATING'S, SCALE 4:1

| ADDED SHT 9<br>EC NO: E2007-0243<br>DRWN:DMASZKI/EMI/CZ 2007/01/10<br>CHKD:J.DENNEHY 2007/01/22<br>APPR: J.DENNEHY 2007/01/23                 | QUALITY SYMBOLS                        | GENERAL TOLERANCES (UNLESS SPECIFIED)   | DIMENSION STYLE             | SCALE                | DESIGN UNITS | THIRD ANGLE PROJECTION |      |      |          |      |       |          |       |       |         |       |      |               |  |  |       |     |        |  |
|---|--|---|-----------------------------|----------------------|--------------|------------------------|------|------|----------|------|-------|----------|-------|-------|---------|-------|------|---------------|--|--|-------|-----|--------|--|
|   | $\nabla=0$<br>$\triangle=0$            | <table border="1"> <tr> <th></th> <th>MM</th> <th>INCH</th> </tr> <tr> <td>4 PLACES</td> <td>±---</td> <td>±---</td> </tr> <tr> <td>3 PLACES</td> <td>±---</td> <td>±.008</td> </tr> <tr> <td>2 PLACES</td> <td>±0.20</td> <td>±.008</td> </tr> <tr> <td>1 PLACE</td> <td>±0.20</td> <td>±---</td> </tr> <tr> <td colspan="3">ANGULAR ± 2 °</td> </tr> </table> |                             | MM                   | INCH         | 4 PLACES               | ±--- | ±--- | 3 PLACES | ±--- | ±.008 | 2 PLACES | ±0.20 | ±.008 | 1 PLACE | ±0.20 | ±--- | ANGULAR ± 2 ° |  |  | MM/IN | 2:1 | METRIC |  |
|   |  | MM  | INCH                        |                      |              |                        |      |      |          |      |       |          |       |       |         |       |      |               |  |  |       |     |        |  |
|   | 4 PLACES                               | ±---  | ±---                        |                      |              |                        |      |      |          |      |       |          |       |       |         |       |      |               |  |  |       |     |        |  |
| 3 PLACES  | ±---                                   | ±.008   |                             |                      |              |                        |      |      |          |      |       |          |       |       |         |       |      |               |  |  |       |     |        |  |
| 2 PLACES  | ±0.20                                  | ±.008   |                             |                      |              |                        |      |      |          |      |       |          |       |       |         |       |      |               |  |  |       |     |        |  |
| 1 PLACE   | ±0.20                                  | ±---  |                             |                      |              |                        |      |      |          |      |       |          |       |       |         |       |      |               |  |  |       |     |        |  |
| ANGULAR ± 2 °   |  |   |                             |                      |              |                        |      |      |          |      |       |          |       |       |         |       |      |               |  |  |       |     |        |  |
| DRAWN BY: POB<br>CHECKED BY: J.DENNEHY<br>APPROVED BY: J.DENNEHY<br>MATERIAL NO.:<br>DATE: 1990/11/07<br>DATE: 2004/11/24<br>DATE: 2004/11/24 | TITLE:<br>QF50 SRD HDR<br>RA KEY W/ELV | MOLEX INCORPORATED  | DOCUMENT NO.:<br>SDA-90663E | SHEET NO.:<br>3 OF 9 |              |                        |      |      |          |      |       |          |       |       |         |       |      |               |  |  |       |     |        |  |
| DRAFT WHERE APPLICABLE MUST REMAIN WITHIN DIMENSIONS  | SEE SHEET 4                            | THIS DRAWING CONTAINS INFORMATION THAT IS PROPRIETARY TO MOLEX INCORPORATED AND SHOULD NOT BE USED WITHOUT WRITTEN PERMISSION   |                             |                      |              |                        |      |      |          |      |       |          |       |       |         |       |      |               |  |  |       |     |        |  |

|               |               |               |               |                |                         |                         |                         |                     |                |
|---------------|---------------|---------------|---------------|----------------|-------------------------|-------------------------|-------------------------|---------------------|----------------|
| (78.74)/3.100 | (86.34)/3.400 | (90.52)/3.564 | (96.62)/3.804 | (100.74)/3.966 | 90663-3641              | 90663-3642              | 90663-3643              |                     | 64             |
| (73.66)/2.900 | (81.26)/3.200 | (85.44)/3.364 | (91.54)/3.604 | (95.66)/3.766  | ↑ -3601                 | ↑ -3602                 | ↑ -3603                 |                     | 60             |
| (60.96)/2.400 | (68.56)/2.700 | (72.74)/2.864 | (78.84)/3.104 | (82.96)/3.266  | -3501                   | -3502                   | -3503                   | 90663-3509          | 50             |
| (48.26)/1.900 | (55.86)/2.200 | (60.04)/2.364 | (66.14)/2.604 | (70.26)/2.766  | -3401                   | -3402                   | -3403                   | ↑ -3409             | 40             |
| (40.64)/1.600 | (48.24)/1.900 | (52.42)/2.064 | (58.52)/2.304 | (62.64)/2.466  | -3341                   | -3342                   | -3343                   | -3349               | 34             |
| (35.56)/1.400 | (43.16)/1.700 | (47.34)/1.864 | (53.44)/2.104 | (57.56)/2.266  | -3301                   | -3302                   | -3303                   | -3309               | 30             |
| (30.48)/1.200 | (38.08)/1.500 | (42.26)/1.664 | (48.36)/1.904 | (52.48)/2.066  | -3261                   | -3262                   | -3263                   | -3269               | 26             |
| (22.86)/.900  | (30.46)/1.200 | (34.64)/1.364 | (40.74)/1.604 | (44.86)/1.766  | -3201                   | -3202                   | -3203                   | -3209               | 20             |
| (17.78)/.700  | (25.38)/1.000 | (29.56)/1.164 | (35.66)/1.404 | (39.78)/1.566  | -3161                   | -3162                   | -3163                   | -3169               | 16             |
| (15.24)/.600  | (22.84)/.900  | (27.02)/1.064 | (33.12)/1.304 | (37.24)/1.466  | ↓ -3141                 | ↓ -3142                 | ↓ -3143                 | ↓ -3149             | 14             |
| (10.16)/.400  | (17.76)/.700  | (21.94)/.864  | (28.04)/1.104 | (32.16)/1.266  | 90663-3101              | 90663-3102              | 90663-3103              | 90663-3109          | 10             |
| A             | B             | C             | D             | E              | ENG. NO.<br>GSI PLATING | ENG. NO.<br>GS2 PLATING | ENG. NO.<br>GS3 PLATING | ENG. NO.<br>PRE TIN | NO.OF<br>CKTS. |

**NOTES**

**1. MATERIAL**

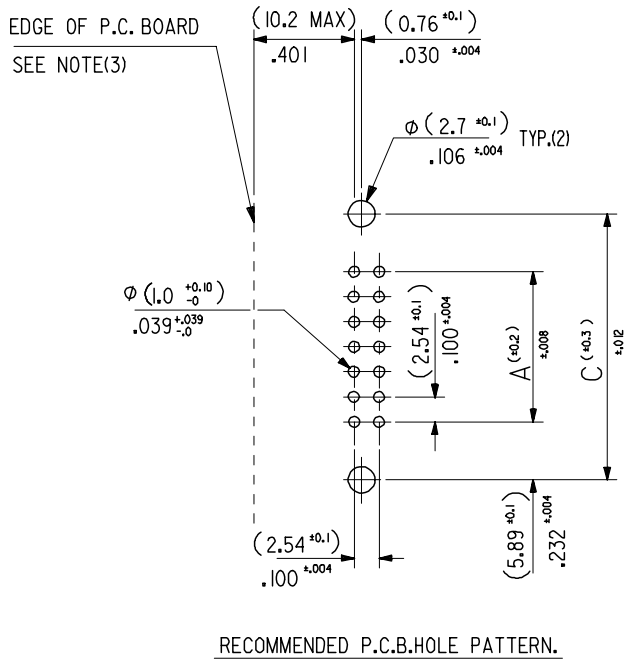
HEADER : GLASS FILLED POLYESTER (UL 94V0), COLOUR - BLACK.  
 PINS : BRASS SIZE  $\square$  (0.635)/.025 .  
 LEVER : GLASS FILLED POLYESTER (UL 94V0), COLOUR - BLACK.  
 SPRING PINS : STEEL

**2. COLOUR IDENTIFICATION MARK FOR PLATING OPTIONS.**

90663-3\*\*1, (1um)/.039uin MIN. NICKEL UNDERPLATE. CONTACT AREA  
 GSI PLATING (0.1um)/.004uin MIN. GOLD. SOLDER AREA (3um)/.118uin MIN.  
 TIN. COLOUR MARK: YELLOW.  
 90663-3\*\*2, (1um)/.039uin MIN. NICKEL UNDERPLATE. CONTACT AREA  
 GS2 PLATING (0.76um)/.030uin MIN. GOLD. SOLDER AREA (3um)/.118uin MIN.  
 TIN. COLOUR MARK: BROWN.  
 90663-3\*\*3, (1um)/.039uin MIN. NICKEL UNDERPLATE. CONTACT AREA  
 GS3 PLATING (0.25um)/.010uin MIN. GOLD. SOLDER AREA (3um)/.118uin MIN.  
 TIN. COLOUR MARK: BLUE.  
 90663-3\*\*9, (0.5-1um)/.020-.040uin NICKEL UNDER (1.0-3.0um)/.039-.118uin TIN.  
 PRE-TIN COLOUR MARK: BLACK, (NO MARK).

3. 10.2mm MAX. TO EDGE OF PCB FOR DAISY CHAIN APPLICATIONS.

4. RECOMMENDED PCB THICKNESS 1.6mm



|  |                                 |  |                 |       |              |   |
|--|---------------------------------|--|-----------------|-------|--------------|---|
| ADDED NOTE 4<br>EC NO: E2008-0129<br>DRWN: OBYRNES 2007/09/13<br>CHKD: 2007/09/13<br>APPR: EOMAHONY 2007/09/14 | QUALITY SYMBOLS                 | GENERAL TOLERANCES (UNLESS SPECIFIED)  | DIMENSION STYLE | SCALE | DESIGN UNITS | THIRD ANGLE PROJECTION  |
|  | $\nabla = 0$<br>$\triangle = 0$ | mm      INCH<br>4 PLACES $\pm$ --- $\pm$ ---<br>3 PLACES $\pm$ --- $\pm .008$<br>2 PLACES $\pm 0.20$ $\pm .008$<br>1 PLACE $\pm 0.20$ $\pm$ ---<br>ANGULAR $\pm 2^\circ$ | MM/IN           | 2:1   | METRIC       | DRAWN BY: POB      DATE: 1990/11/07<br>CHECKED BY:      DATE:      TITLE: QF50 SRD HDR RA KEY W/ELV<br>ROC:      DATE: 2000/10/04<br>APPROVED BY:      DATE:      MOLEX INCORPORATED<br>MW:      DATE: 2000/10/04 |
|  |                                 | DRAFT WHERE APPLICABLE MUST REMAIN WITHIN DIMENSIONS   | SEE CHART       |       |              | MATERIAL NO.      DOCUMENT NO. SDA-90663E      SHEET NO. 4 OF 9   |
|  |                                 |  |                 |       |              | THIS DRAWING CONTAINS INFORMATION THAT IS PROPRIETARY TO MOLEX INCORPORATED AND SHOULD NOT BE USED WITHOUT WRITTEN PERMISSION   |