

# CRE Series 10mm DIP Coded Rotary Switches

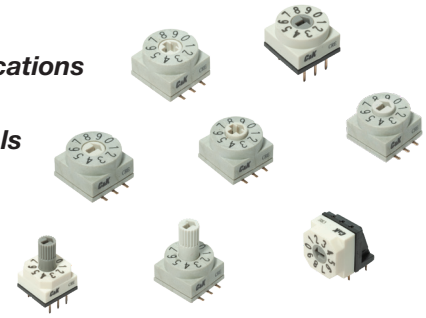
H  
DIP

## Features/Benefits

- **Process sealed – withstands soldering and cleaning**
- **Thru-hole and surface mount models**
- **New designs with different actuators**
- **RoHS compatible and compliant**
- **New generation price competitive**
- **IP65**

## Typical Applications

- **Address switching applications**
- **Data storage devices**
- **Computer and peripherals**
- **Instrumentation**



## Specifications

CONTACT RATING: 42 V DC 150mA (switching), 200mA (non-switching)

MECHANICAL & ELECTRICAL LIFE: 10,000 cycles

INITIAL CONTACT RESISTANCE: 200 mΩ max.

INSULATION RESISTANCE: 100 MΩ min.

OPERATING TEMPERATURE: -40°C to 85°C.

STORAGE TEMPERATURE: -40°C to 85°C.

OPERATING FORCE: 700 gf max.

SOLDER CONDITIONS:

- Straight and right-angle types: Iron soldering 2s/340°C, wave soldering 5s/280°C
- Through-hole and SMT types: Iron soldering 2s/340°C, wave soldering: 5s/280°C, reflow soldering 10s/260°C

SOLDERABILITY: Dip and look solderability testing per C&K spec #448

PACKAGING: Switches are supplied in rigid dispensing tubes in full-tube quantities only, this may affect order quantities. Number of switches per tube varies with model. Tape and reel packing also available with exception for the right-angle "A" type terminations.

## Materials

COVER:

- Straight and right-angle types: Nylon#66 (G45%)
- Through-hole and SMT types: LCP (G30%)

BASE:

- Straight and right-angle types: Nylon#66 (G45%)
- Through-hole and SMT types: LCP (G30%)

ACTUATOR:

- Straight and right-angle types: Poly Acetal
- Through-hole and SMT types: Nylon#66 (G45%)

CONTACTS: Brass with Gold nickel plating

TERMINALS: Brass with Gold nickel plating

## How To Order

The Build-A Switch concept allows you to mix and match options to create the switch you need. Below is a complete listing of options shown in catalog. To order, simply select desired option from each category and place in the appropriate box.

<p><b>Number of positions</b></p> <p><b>04</b> 4 position</p> <p><b>06</b> 6 position</p> <p><b>08</b> 8 position</p> <p><b>10</b> 10 position</p> <p><b>16</b> 16 position</p>	<p><b>Coding</b></p> <p><b>R</b> Real or BCD code</p> <p><b>C</b> Complement code</p>	<p><b>Shape of surface</b></p> <p><b>OT</b> Octagon Type</p> <p><b>RD</b> Round Type</p>	<p><b>Actuator</b></p> <p><b>M0</b> Flush, Screw type "-&gt;" [Slot Screw Drive Type]</p> <p><b>M1</b> Flush, Screw type "+" [Cross Screw Drive Type]</p> <p><b>L0</b> Extended, Screw type "-&gt;" [Slot Screw Drive Type]</p> <p><b>P0</b> Protrusion, Screw type "-&gt;" [Slot Screw Drive Type]</p> <p><b>P1</b> Protrusion, Screw type "+" [Cross Screw Drive Type]</p>	<p><b>Terminations</b></p> <p><b>A</b> Right Angle, PC Thru-hole (Only available for actuator M0 &amp; M1)</p> <p><b>C</b> PC Thru-hole</p> <p><b>S</b> Gull Wing</p>	<p><b>Packaging</b></p> <p><b>(None)</b> Tube</p> <p><b>R</b> Tape &amp; Reel (Not available for termination type A &amp; C)</p>
---	---	--	--	---	--

Remarks in Annotation



Third Angle  
Projection



# CRE Series 10mm DIP Coded Rotary Switches

## CODING

DIP I

### R Real Code

04 POSITION

		Real Code				
04 POSITION		C	1	2	4	8
0	0	•	•			
1	1	•		•		
2	2	•			•	
3	3	•				•

06 POSITION

		Real Code				
06 POSITION		C	1	2	4	8
0	0	•	•			
1	1	•		•		
2	2	•			•	
3	3	•				•
4	4	•	•			
5	5	•		•		
6	6	•			•	
7	7	•				•

08 POSITION

		Real Code				
08 POSITION		C	1	2	4	8
0	0	•	•			
1	1	•		•		
2	2	•			•	
3	3	•				•
4	4	•	•			
5	5	•		•		
6	6	•			•	
7	7	•				•

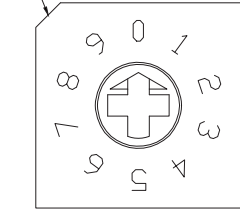
10 POSITION

		Real Code				
10 POSITION		C	1	2	4	8
0	0	•	•			
1	1	•		•		
2	2	•			•	
3	3	•				•
4	4	•	•			
5	5	•		•		
6	6	•			•	
7	7	•				•
8	8	•	•			
9	9	•		•		

16 POSITION

		Real Code				
16 POSITION		C	1	2	4	8
0	0	•	•			
1	1	•		•		
2	2	•			•	
3	3	•				•
4	4	•	•			
5	5	•		•		
6	6	•			•	
7	7	•				•
8	8	•	•			
9	9	•		•		
A	A	•			•	
B	B	•				•
C	C	•	•			
D	D	•		•		
E	E	•			•	
F	F	•				•

PIN 1 INDICATOR



### C Complement Code

04 POSITION

		Complement Code				
04 POSITION		C	1	2	4	8
0	0					
1	1	•	•	•	•	•
2	2	•	•			
3	3	•		•		

06 POSITION

		Complement Code				
06 POSITION		C	1	2	4	8
0	0					
1	1	•	•	•	•	•
2	2	•	•			
3	3	•		•		
4	4	•			•	
5	5	•	•			

08 POSITION

		Complement Code				
08 POSITION		C	1	2	4	8
0	0					
1	1	•	•	•	•	•
2	2	•	•			
3	3	•		•		
4	4	•			•	
5	5	•	•			
6	6	•		•		
7	7	•			•	

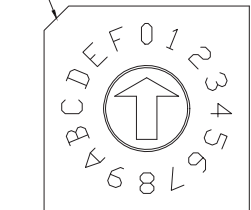
10 POSITION

		Complement Code				
10 POSITION		C	1	2	4	8
0	0					
1	1	•	•	•	•	•
2	2	•	•			
3	3	•		•		
4	4	•			•	
5	5	•	•			
6	6	•		•		
7	7	•			•	
8	8	•	•			
9	9	•		•		

16 POSITION

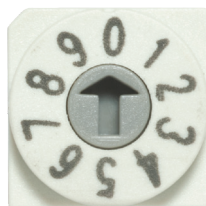
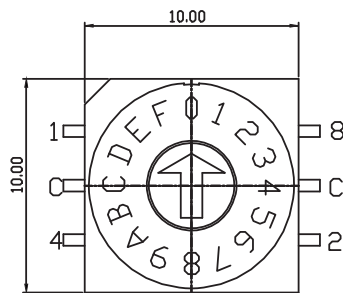
		Complement Code				
16 POSITION		C	1	2	4	8
0	0					
1	1	•	•	•	•	•
2	2	•	•			
3	3	•		•		
4	4	•			•	
5	5	•	•			
6	6	•		•		
7	7	•			•	
8	8	•	•			
9	9	•		•		
A	A	•			•	
B	B	•				•
C	C	•	•			
D	D	•		•		
E	E	•			•	
F	F	•				•

PIN 1 INDICATOR

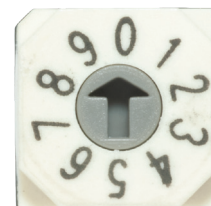
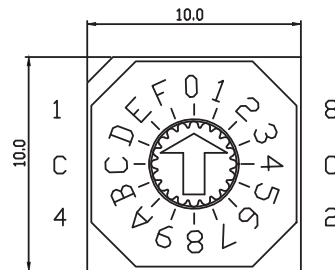


## SHAPE OF SURFACE

### RD Round Type



### OT Octagon Type



Third Angle Projection

# CRE Series 10mm DIP Coded Rotary Switches

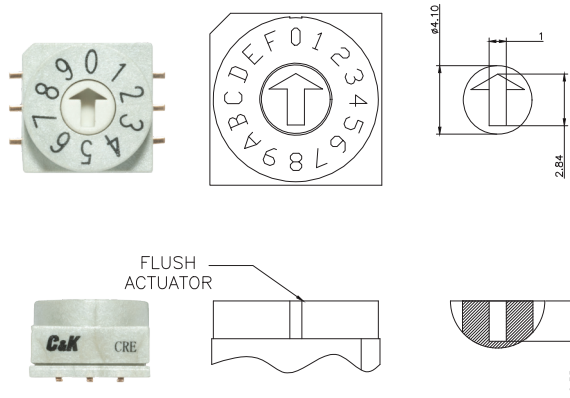


DIP

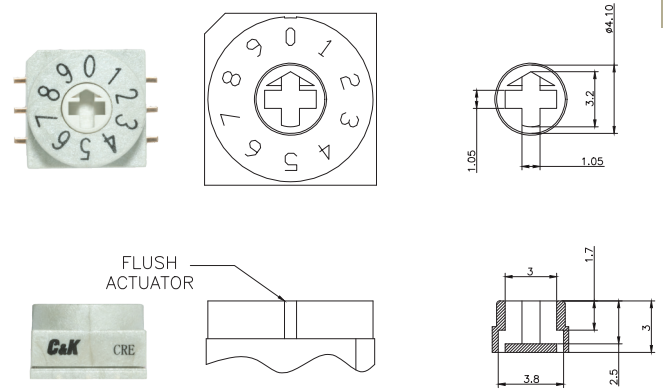
DIP

## ACTUATOR

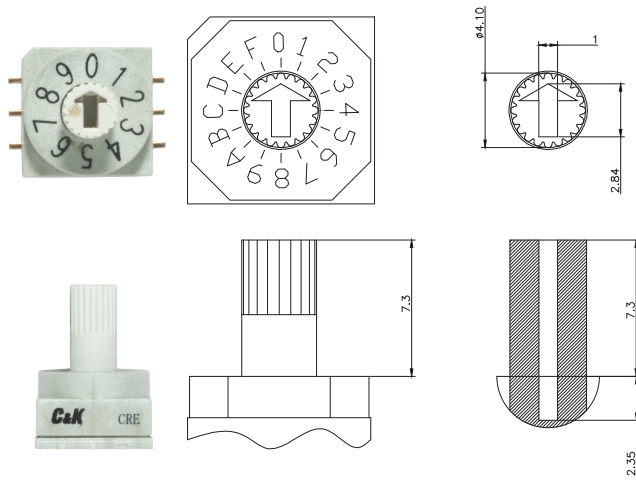
**M0** Flush, Screw type “->”



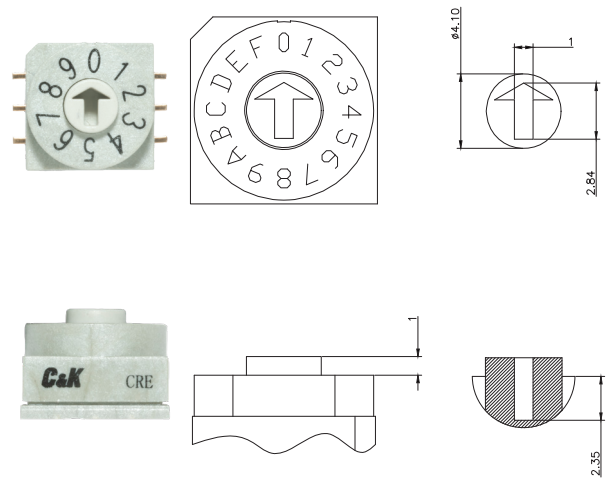
**M1** Flush, Screw type “+”



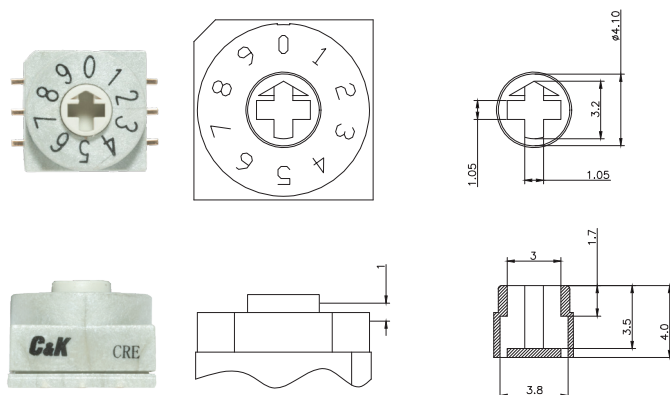
**L0** Extended, Screw type “->”



**P0** Protrusion, Screw type “->”



**P1** Protrusion, Screw type “+”



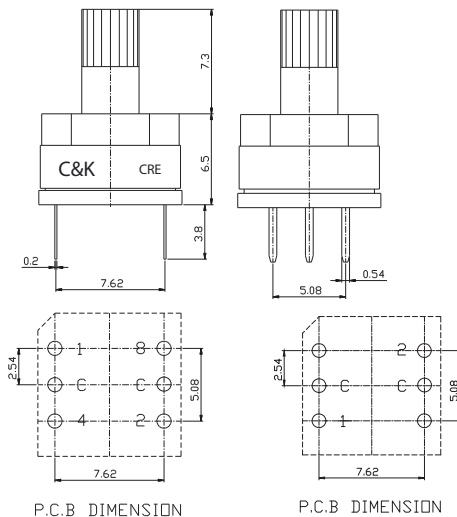
Third Angle  
Projection

Dimensions are shown: Inch (mm)  
Specifications and dimensions subject to change

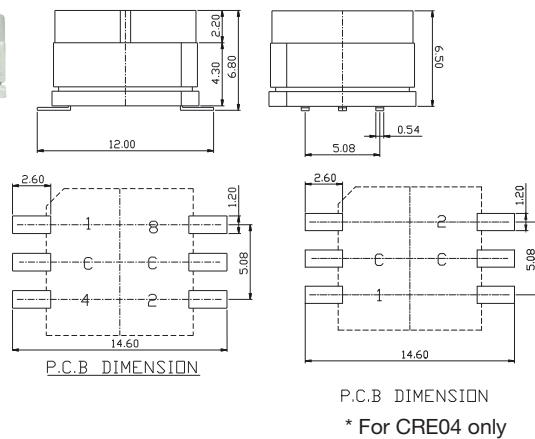
# CRE Series 10mm DIP Coded Rotary Switches

## TERMINATIONS

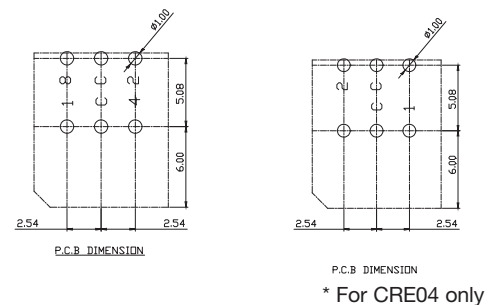
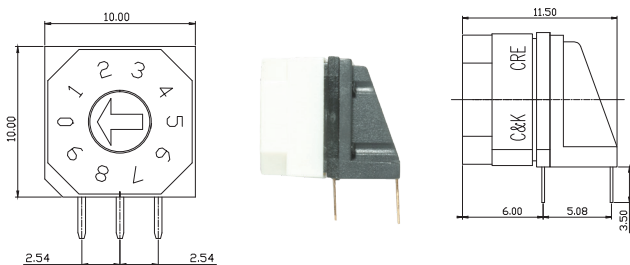
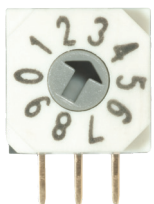
### C PC Thru-hole



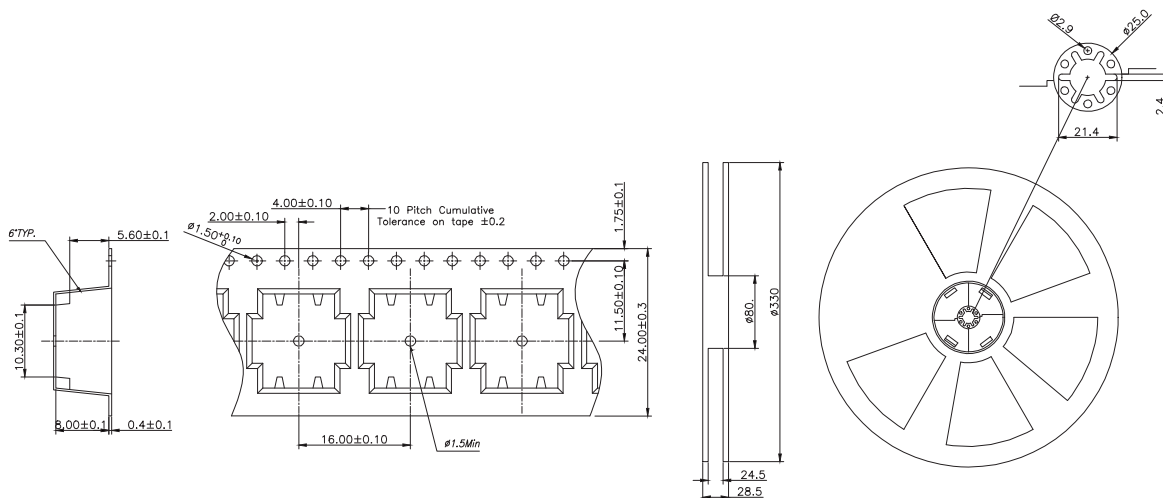
### S Gull wing



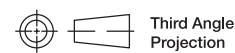
### A Right Angle Thru-hole



## TAPE & REEL



TAPE & REEL: 600 pcs



Third Angle Projection  
Dimensions are shown: Inch (mm)  
Specifications and dimensions subject to change



3 Dec 21