

PLEASE CHECK WWW.MOLEX.COM FOR LATEST PART INFORMATION

Part Number: [0685070821](#)
Status: **Active**
Description: 1.02mm (.040") Tab, Wire-to-Wire Housing, Male, 8 Circuits, Clip Type

Documents:

[3D Model](#) [Product Specification PS-104000-001 \(PDF\)](#)
[Drawing \(PDF\)](#) [RoHS Certificate of Compliance \(PDF\)](#)

General

Product Family Crimp Housings
 Series [68507](#)
 Product Name N/A

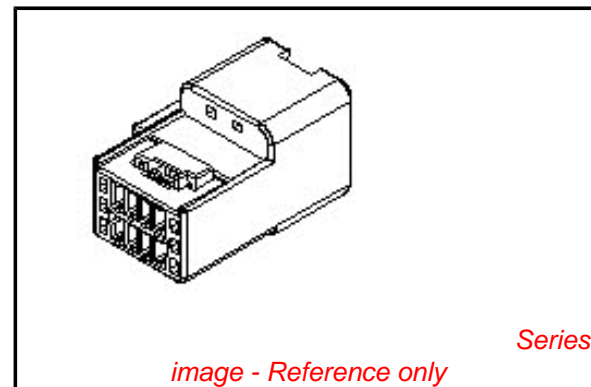
Physical

Circuits (maximum) 8
 Color - Resin Black, Yellow
 Gender Male
 Glow-Wire Compliant No
 Material - Resin Polyester
 Number of Rows 2
 Packaging Type Bag
 Panel Mount Yes
 Pitch - Mating Interface (in) 0.098 In
 Pitch - Mating Interface (mm) 2.50 mm
 Stackable No
 Temperature Range - Operating -40°C to +80°C

Material Info

Reference - Drawing Numbers

Product Specification PS-104000-001
 Sales Drawing SD-68507-003



EU RoHS

**ELV and RoHS
 Compliant**
REACH SVHC
 Not Reviewed
**Halogen-Free
 Status**

China RoHS



**Need more information on product
 environmental compliance?**

Email productcompliance@molex.com
 For a multiple part number RoHS Certificate of
 Compliance, [click here](#)

Please visit the [Contact Us](#) section for any
 non-product compliance questions.

Search Parts in this Series

[68507Series](#)

Mates With

[68508](#)

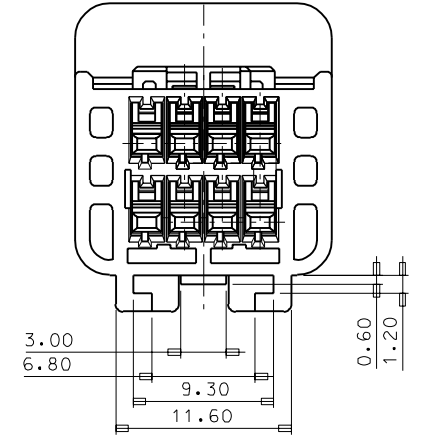
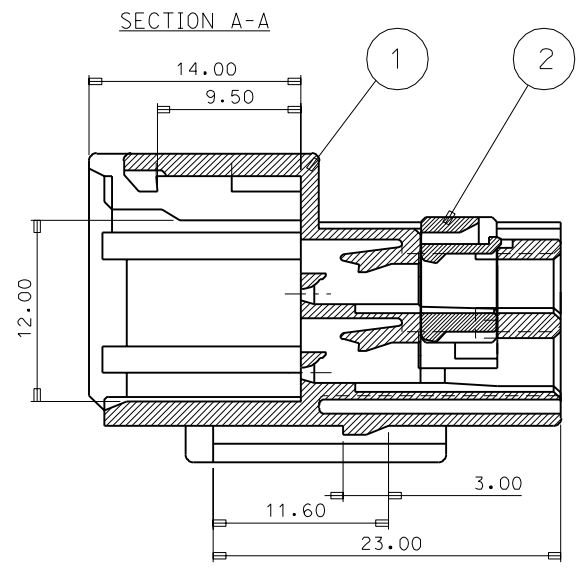
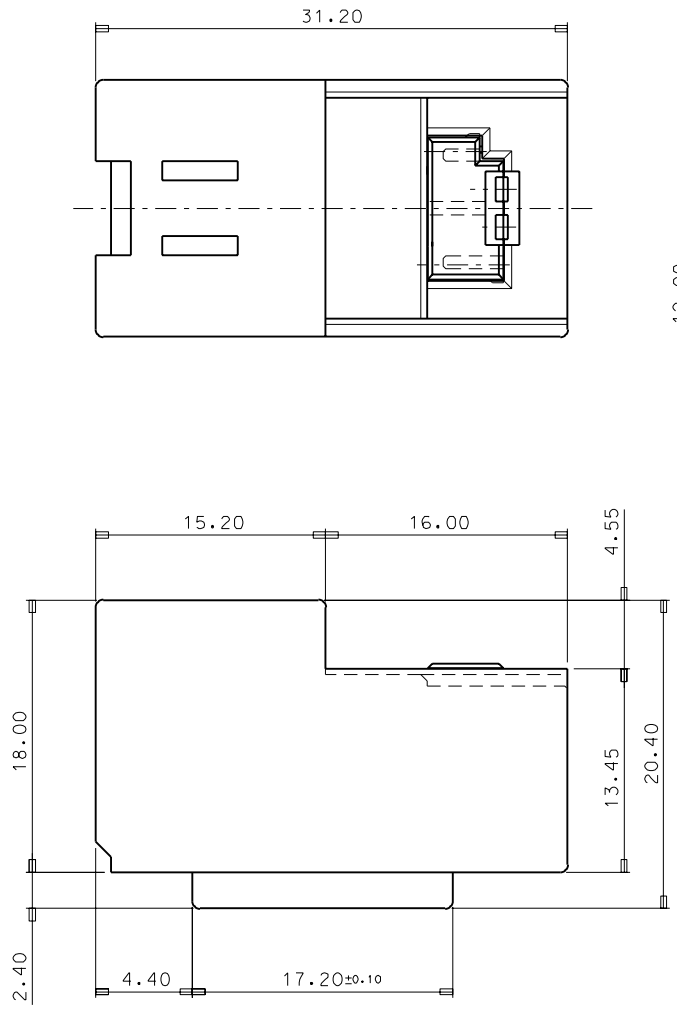
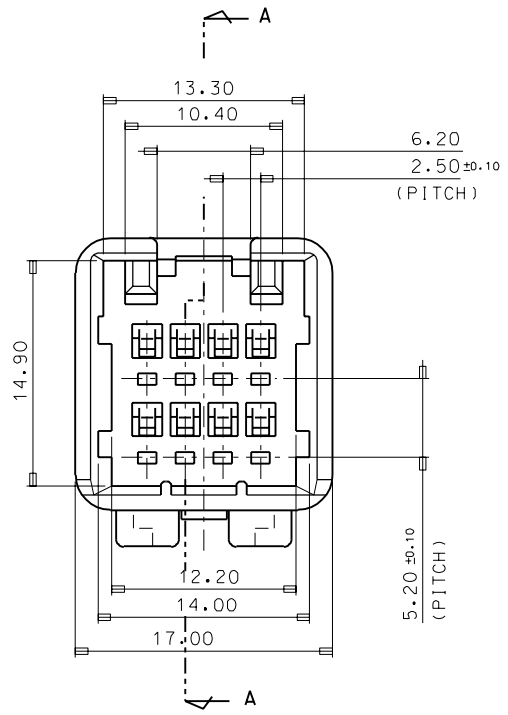
Use With

[50654](#)

DWG. NO. SD-68507-003
 PROJECT NO. SIMILAR ITEM
 DO NOT SCALE DRAWING DIMENSION IN METRIC

NOTE
 1. MATERIAL & FINISH: SEE TABLE
 2. APPLICATION: .040 FEMALE HSG ASS'Y 8P
 (ENG. NO.:68508-0811)

NO.	PART NO.	PART NAME	MATERIAL	REMARK
1	68507-0881	.040 F/HSG	POLYESTER	BLACK
2	68509-0883	.040 F/TPA	POLYESTER	YELLOW



NO.	MATERIAL NO.	ENG. NO.
1	685070821	68507-0821

RELEASE TO MANUFACTURING EC NO.:KOR2002-0082 DRWN:H.C.RHO CHK:H.C.RHO APPR:C.W.LEE	QUALITY SYMBOLS MAJOR = CRITICAL =	GENERAL TOLERANCES: (UNLESS SPECIFIED)		SCALE 3:1	DESIGN UNITS <input checked="" type="checkbox"/> mm <input type="checkbox"/> INCH	THIRD ANGLE PROJECTION <input checked="" type="checkbox"/> THIRD ANGLE <input type="checkbox"/> FIRST ANGLE	DIMENSIONS: <input type="checkbox"/> mm <input type="checkbox"/> INCH <input checked="" type="checkbox"/> mm ONLY	SHT REVISE ON CAD ONLY	REV
		4 PLACES ±0. ±. 3 PLACES ±0. ±. 2 PLACES ±0.2 ±. 1 PLACE ±0.3 ±.	DRAWN BY & DATE H.C.RHO'01.08.14 CHECKED BY & DATE B.K.CHOI'01.08.14 APPROVED BY & DATE C.W.LEE'01.08.14	TITLE: .040 W/W MALE HOUSING ASS'Y 8P (CLIP TYPE)			MOLEX INCORPORATED KOREA		MATERIAL NO. SEE TABLE
DRAFT WHERE APPLICABLE MUST REMAIN WITHIN DIMENSIONS	THIS DRAWING CONTAINS INFORMATION THAT IS PROPRIETARY TO MOLEX INCORPORATED AND SHOULD NOT BE USED WITHOUT WRITTEN PERMISSION.						SIZE B		MX-A3