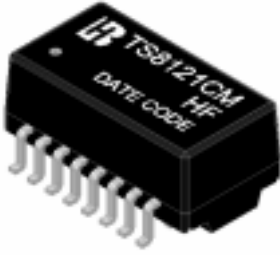


10/100 BASE-T ETHERNET ISOLATION TRANSFORMER

P/N: TS8121CM HF DATA SHEET

Feature



- Designed to meet IEEE 802.3u requirement, including 350uH OCL with 8mA bias.
- Comply with ROHS & Halogen Free requirements.
- Support IEEE 802.3af (PoE) standard,
- Operating temperature range: -40 to +85 .
- Storage temperature range: -40 to +85 .

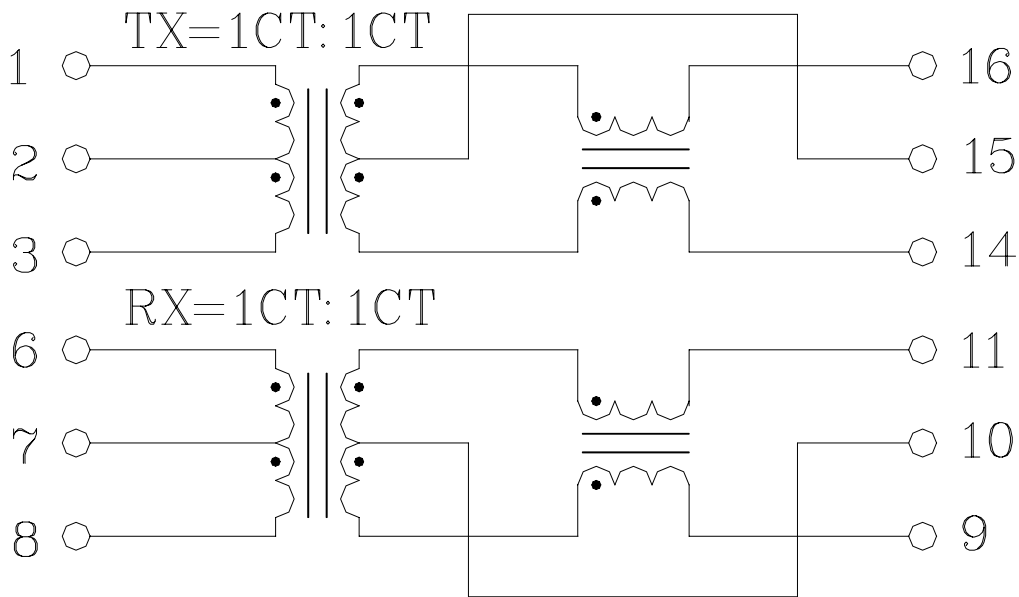
Electrical Specifications @ 25°C

| Part Number | Turns Ratio (±5%) | | OCL (uH Min) @ 100KHz/0.1V with 8mA DC Bias | C _{www} (pF Max) | L.L (uH Max) | HI-POT (Vrms) |
|-------------|-------------------|----------|---|---------------------------|--------------|---------------|
| | 1-3:16-14 | 6-8:11-9 | | | | |
| TS8121CM HF | 1CT:1CT | 1CT:1CT | 350 | 28 | 0.5 | 1500 |

Continue

| Part Number | Insertion Loss (dB Max) | Return Loss (dB Min) | | | Cross talk (dB Min) | | DCMR (dB Min) | | |
|-------------|-------------------------|----------------------|-------|-------|---------------------|-----------|---------------|-------|-------|
| | | 0.3-100 MHz | 30MHz | 60MHz | 80MHz | 0.3-60MHz | 60-100MHz | 30MHz | 60MHz |
| TS8121CM HF | -1.15 | -18 | -14 | -12 | -45 | -35 | -40 | -35 | -30 |

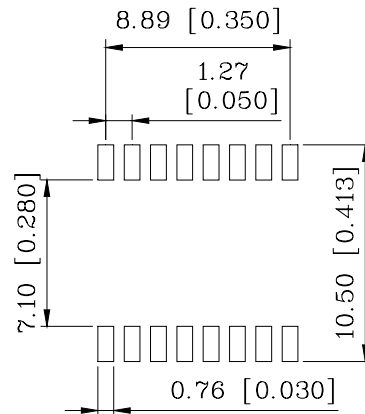
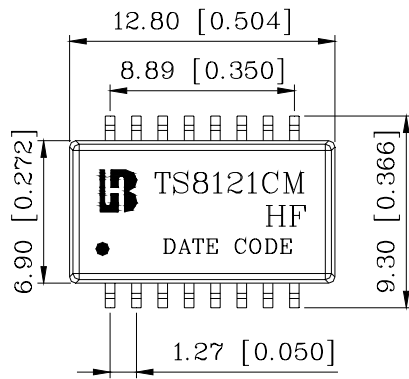
Schematic



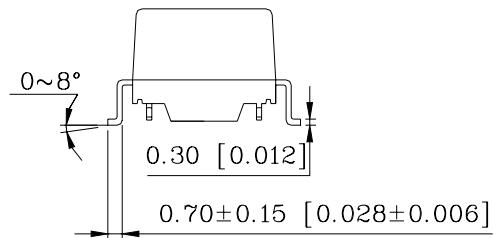
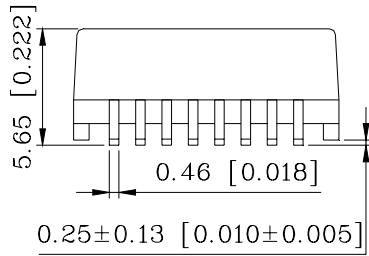
10/100 BASE-T ETHERNET ISOLATION TRANSFORMER

P/N: TS8121CM HF DATA SHEET

Mechanical



SUGGESTED PAD LAYOUT



Units: mm[Inches] Tolerances: xx.x0±0.25[0.010]
0.xx±0.05[0.002]