



RP BNC Male Connector Solder Attachment 4 Hole
 Flange Solder Cup Terminal, .531 inch Hole Spacing

TECHNICAL DATA SHEET

PE4762

RP BNC Male Connector Solder Attachment 4 Hole Flange Solder Cup Terminal, .531 inch Hole Spacing

Configuration

Connector	BNC Male Reverse Polarity
Connector Interface Type	Solder Cup
Cable Attachment Method (Shield/Contact)	Solder
Body Style	Straight
Mount Method	4 Hole Flange

Electrical Specifications

Impedance, Ohms	50
-----------------	----

Mechanical Specifications

Size

Length, in [mm]	1.215 [30.86]
Width/Dia., in [mm]	0.75 [19.05]
Height, in [mm]	0.75 [19.05]
Weight, lbs [g]	0.041 [18.6]

Connector

Type	BNC Male Reverse Polarity
Contact Material and Plating	Gold
Coupling Nut Material and Plating	Brass, Nickel
Body Material and Plating	Brass, Nickel
Dielectric Type	PTFE

Compliance Certifications (visit www.Pasternack.com for current document)

RoHS Compliant	Yes
----------------	-----

Plotted and Other Data

Notes:	Values at 25 °C, sea level
--------	----------------------------

RP BNC Male Connector Solder Attachment 4 Hole Flange Solder Cup Terminal, .531 inch Hole Spacing from Pasternack Enterprises has same day shipment for domestic and International orders. Our RF, microwave and fiber optic products maintain a 99% availability and are part of the broadest selection in the industry.

Click the following link (or enter part number in "SEARCH" on website) to obtain additional part information including price, inventory and certifications: [RP BNC Male Connector Solder Attachment 4 Hole Flange Solder Cup Terminal, .531 inch Hole Spacing PE4762](http://www.pasternack.com/bnc-male-reverse-polarity-solder-cup-terminal-connector-pe4762-p.aspx)

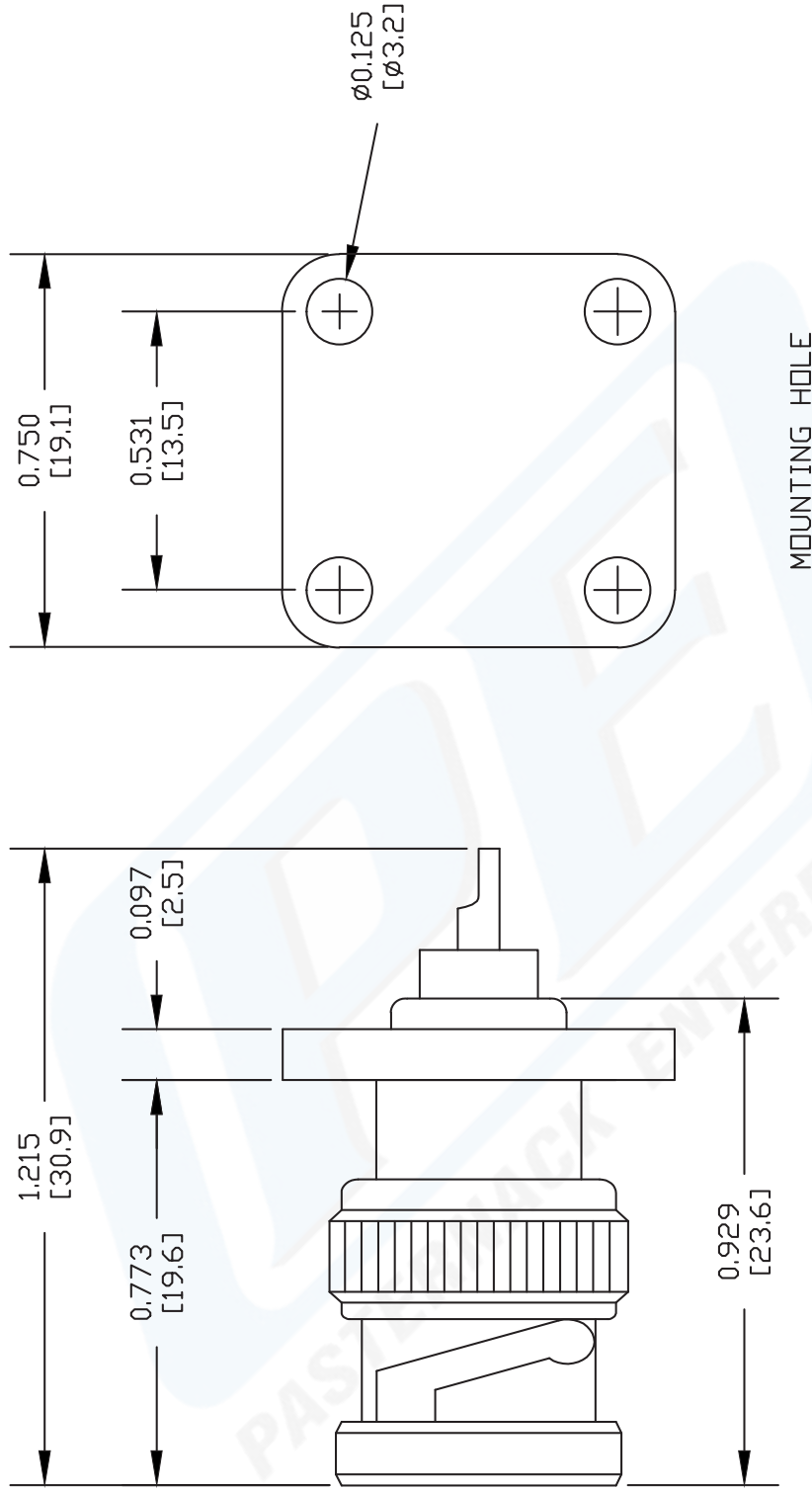
URL: <http://www.pasternack.com/bnc-male-reverse-polarity-solder-cup-terminal-connector-pe4762-p.aspx>

The information contained in this document is accurate to the best of our knowledge and representative of the part described herein. It may be necessary to make modifications to the part and/or the documentation of the part, in order to implement improvements. Pasternack reserves the right to make such changes as required. Unless otherwise stated, all specifications are nominal.



PE4762 CAD Drawing

RP BNC Male Connector Solder Attachment 4 Hole Flange
Solder Cup Terminal, .531 inch Hole Spacing



DWG TITLE

PE4762

NOTES:
1. UNLESS OTHERWISE SPECIFIED ALL DIMENSIONS ARE NOMINAL.
2. ALL SPECIFICATIONS ARE SUBJECT TO CHANGE WITHOUT NOTICE AT ANY TIME.
3. DIMENSIONS ARE IN INCHES [mm].
4. FITS MIL-C-17 AND EQUIVALENT CABLES.

FSCM NO. 53919

127

PE PASTERNAK®
Pasternack Enterprises, Inc.
P.O. Box 16759 | Irvine | CA | 92623
Phone: (949) 261-1920 | Fax: (949) 261-7451
Website: www.pasternack.com | E-Mail: sales@pasternack.com

SIZE A

SCALE N/A

CAD FILE 061402