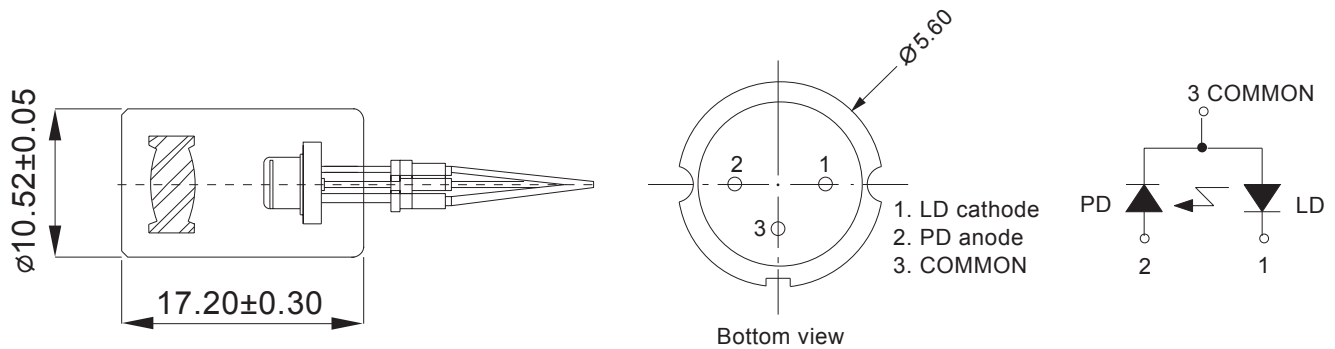


MODEL TYPE

□ VLM-635-00 / VLM-650-00

OUTLINE DIMENSIONS (UNITS: mm)



1. This model integrated optic and laser diode into a solid brass construction, provides an adjustable focus function by request, with no driver circuit.
2. Users can adapt their own APC driver circuit for their professional applications.
3. Can be modulated up to 500 KHz.
4. The efficiency of collimating lens is 70%, do not drive the laser over 3.5mW.

SPECIFICATIONS	635-00	650-00
Operating voltage (Vop) □	2.1 ~ 2.6 V	
Operating current (Iop) □	40±15mA	
Cw output power (Po)	≤ 3mW	
Wavelength at peak emission (λ p)	630 ~ 645nm	645 ~ 665nm
Collimating lens □	Aspherical plastic (ϕ7)	
Housing □	Brass	
Spot size at 5m □	6±2mm	
Divergence □	1.6 mrad	
Mean time to failure (MTTF) 3mW 25°C □	5000 hrs	10000 hrs
Operating temp. range □	+10°C ~ +40°C	
Storage temp. range	-20°C ~ +65°C	