

ASM1232LP, ASM1232LPS

5 V μ P Power Supply Monitor and Reset Circuit

Description

The ASM1232LP/LPS is a fully integrated microprocessor Supervisor. It can halt and restart a “hung-up” microprocessor, restart a microprocessor after a power failure. It has a watchdog timer and external reset override.

A precision temperature-compensated reference and comparator circuits monitor the 5 V, V_{CC} input voltage status. During power-up or when the V_{CC} power supply falls outside selectable tolerance limits, both RESET and $\overline{\text{RESET}}$ become active. When V_{CC} rises above the threshold voltage, the reset signals remain active for an additional 250 ms minimum, allowing the power supply and system microprocessor to stabilize. The trip point tolerance signal, TOL, selects the trip level tolerance to be either 5% or 10%.

Each device has both a push-pull, active HIGH reset output and an open drain active LOW reset output. A debounced manual reset input, PBRST, activates the reset outputs for a minimum period of 250 ms.

There is a watchdog timer to stop and restart a microprocessor that is “hung-up”. The watchdog timeouts periods are selectable: 150 ms, 610 ms and 1200 ms. If the ST input is not strobed LOW before the time-out period expires, a reset is generated.

Devices are available in 8-pin DIP, 16-pin SO and compact 8-pin MicroSO packages.

Features

- 5 V Supply Monitor
- Selectable Watchdog Period
- Debounce Manual Push-button Reset Input
- Precision Temperature-compensated Voltage Reference and Comparator
- Power-up, Power-down and Brown Out Detection
- 250 ms Minimum Reset Time
- Active LOW Open Drain Reset Output and Active HIGH Push-pull Output
- Selectable Trip Point Tolerance: 5% or 10%
- Low-cost Surface Mount Packages: 8-pin/16-pin SO, 8-pin DIP and 8-pin Micro SO Packages
- Wide Operating Temperature -40°C to $+85^{\circ}\text{C}$ (N Suffixed Devices)

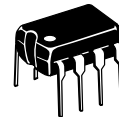
Applications

- Microprocessor Systems
- Computers
- Controllers
- Portable Equipment
- Intelligent Instruments
- Automotive Systems



ON Semiconductor®

<http://onsemi.com>



PDIP-8
P SUFFIX
CASE 646AA



MICRO-8
U SUFFIX
CASE 846AA

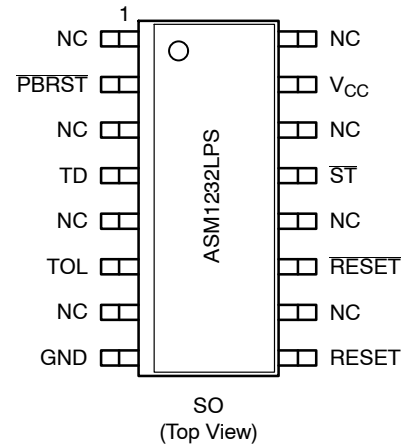
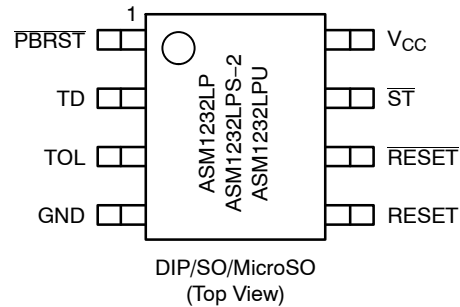


SOIC-8
S SUFFIX
CASE 751BD



SOIC-16
S SUFFIX
CASE 751BG

PIN CONFIGURATIONS



ORDERING INFORMATION

See detailed ordering and shipping information in the package dimensions section on page 12 of this data sheet.

ASM1232LP, ASM1232LPS

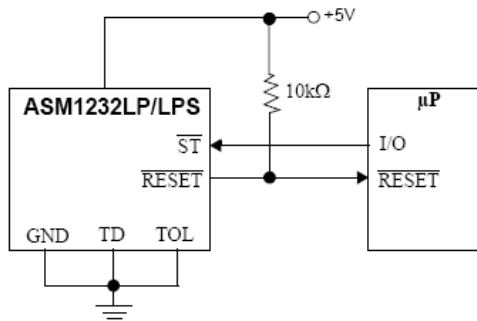


Figure 1. Typical Operating Circuit

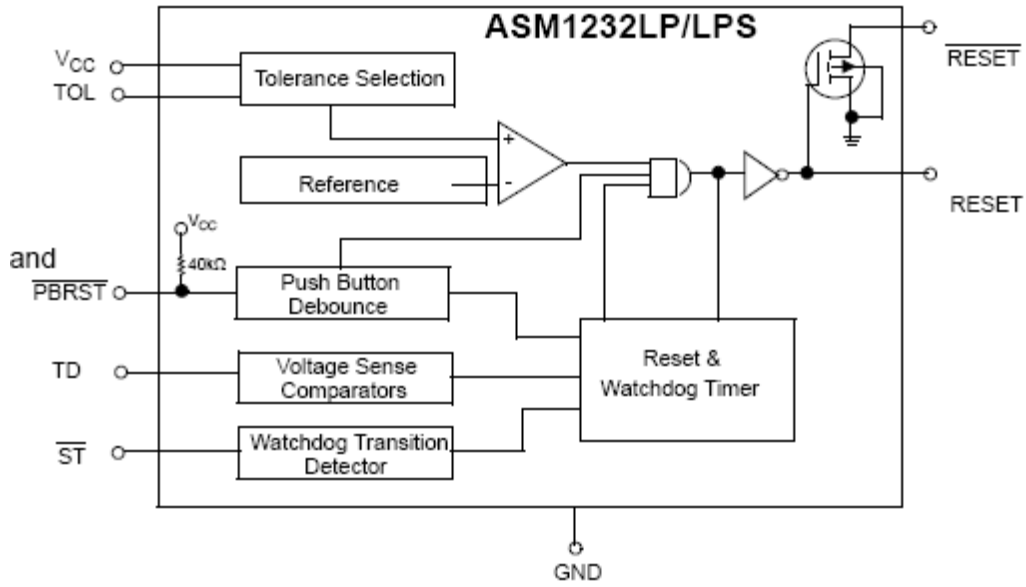


Figure 2. Block Diagram

ASM1232LP, ASM1232LPS

Table 1. PIN DESCRIPTION

Pin # 8-Pin Package	Pin # 16-Pin Package	Pin Name	Function
1	2	PBRST	Debounced manual pushbutton RESET input.
2	4	T _D	Watchdog time delay selection. (t _{TD} = 150 ms for T _D = GND, t _{TD} = 610 ms for T _D = Open, and t _{TD} = 1200 ms for T _D = V _{CC}).
3	6	T _{OL}	Selects 5% (T _{OL} connected to GND) or 10% (T _{OL} connected to V _{CC}) trip point tolerance.
4	8	GND	Ground.
5	9	RESET	Active HIGH reset output. RESET is active: 1. If V _{CC} falls below the reset voltage trip point. 2. If PBRST is LOW. 3. If ST is not strobed LOW before the timeout period set by T _D expires. 4. During power-up.
6	11	RESET	Active LOW reset output. (See RESET).
7	13	ST	Strobe input.
8	15	V _{CC}	5 V power.
	1,3,5,7,10,12,14,16	NC	No internal connection.

Table 2. ABSOLUTE MAXIMUM RATINGS

Parameter		Min	Max	Unit
Voltage on V _{CC} (Note 1)		-0.5	7	V
Voltage on ST, TD (Note 1)		-0.5	V _{CC} + 0.5	V
Voltage on PBRST, RESET, RESET (Note 1)		-0.5	V _{CC} + 0.5	V
Operating Temperature Range (N suffixed devices)		-40	+85	°C
Operating Temperature Range (others)		0	70	°C
Soldering Temperature (for 10 sec)			+260	°C
Storage Temperature		-55	+125	°C
ESD rating	HBM		2	KV
	MM		200	V

Stresses exceeding Maximum Ratings may damage the device. Maximum Ratings are stress ratings only. Functional operation above the Recommended Operating Conditions is not implied. Extended exposure to stresses above the Recommended Operating Conditions may affect device reliability.

1. Voltages are measured with respect to ground

ASM1232LP, ASM1232LPS

Table 3. DC ELECTRICAL CHARACTERISTICS (Unless otherwise stated, $4.5\text{ V} \leq V_{CC} \leq 5.5\text{ V}$ and over the operating temperature range of 0°C to 70°C (-40°C to $+85^\circ\text{C}$. for N devices). All Voltages are referenced to ground.)

Parameter	Symbol	Conditions	Min	Typ	Max	Unit
Supply Voltage	V_{CC}		4.5		5.5	V
ST and PBRST Input High Level	V_{IH}		2		$V_{CC} + 0.3$	V
ST and PBRST Input Low Level	V_{IL}		-0.3		0.8	V
V_{CC} Trip Point ($T_{OL} = \text{GND}$)	V_{CCTP}		4.50	4.62	4.74	V
V_{CC} Trip Point ($T_{OL} = V_{CC}$)	V_{CCTP}		4.25	4.37	4.49	V
Watchdog Timeout Period	t_{TD}	$T_D = \text{GND}$	62.5	150	250	ms
Watchdog Timeout Period	t_{TD}	$T_D = V_{CC}$	500	1200	2000	ms
Watchdog Timeout Period	t_{TD}	T_D Floating	250	610	1000	ms
Output Voltage	V_{OH}	$I = -500\ \mu\text{A}$ (Note 4)	$V_{CC} - 0.5$	$V_{CC} - 0.1$		V
Output Current	I_{OH}	Output = 2.4 V (Note 3)	-8	-10		mA
Output Current	I_{OL}	Output = 0.4 V	10			mA
Input Leakage	I_{IL}	(Note 2)	-1.0		1.0	μA
RESET Low Level	V_{OL}	(Note 4)			0.4	V
Internal Pull-up Resistor		(Note 2)		40		$\text{k}\Omega$
Operating Current (CMOS)	I_{CC1}				30	μA
Input Capacitance	C_{IN}				5	pF
Output Capacitance	C_{OUT}				10	pF
PBRST Manual Reset Minimum Low Time	t_{PB}	$\overline{\text{PBRST}} = V_{IL}$	20			ms
Reset Active Time	t_{RST}		250	610	1000	ms
ST Pulse Width	t_{ST}	(Note 5)	20			ns
V_{CC} Fail Detect to RESET or RESET	t_{RPD}			5	8	μs
V_{CC} Slew Rate	t_F	4.75 V to 4.25 V	300			μs
PBRST Stable LOW to RESET and RESET Active	t_{PDLY}				20	ms
V_{CC} Detect to RESET or RESET inactive	t_{RPU}	$t_{RISE} = 5\ \mu\text{s}$	250	610	1000	ms
V_{CC} Slew Rate	t_R	4.25 V to 4.75 V	0			ns

2. $\overline{\text{PBRST}}$ is internally pulled HIGH to V_{CC} through a nominal 40 $\text{k}\Omega$ resistor.
3. RESET is an open drain output.
4. RESET remains within 0.5 V of V_{CC} on power-down until V_{CC} falls below 2 V. $\overline{\text{RESET}}$ remains within 0.5 V of ground on power-down until V_{CC} falls below 2.0 V.
5. Must not exceed the minimum watchdog time-out period (t_{TD}). The watchdog circuit cannot be disabled. To avoid a reset, $\overline{\text{ST}}$ must be strobed.

ASM1232LP, ASM1232LPS

Detailed Description

The ASM1232LP/LPS monitors the microprocessor or micro controller power supply and generates reset signal, both active HIGH and Active LOW, that halt processor operation whenever the power supply voltage levels are outside a predetermined tolerance.

RESET and $\overline{\text{RESET}}$ outputs

RESET is an active HIGH signal developed by a CMOS push-pull output stage and is the logical opposite to $\overline{\text{RESET}}$.

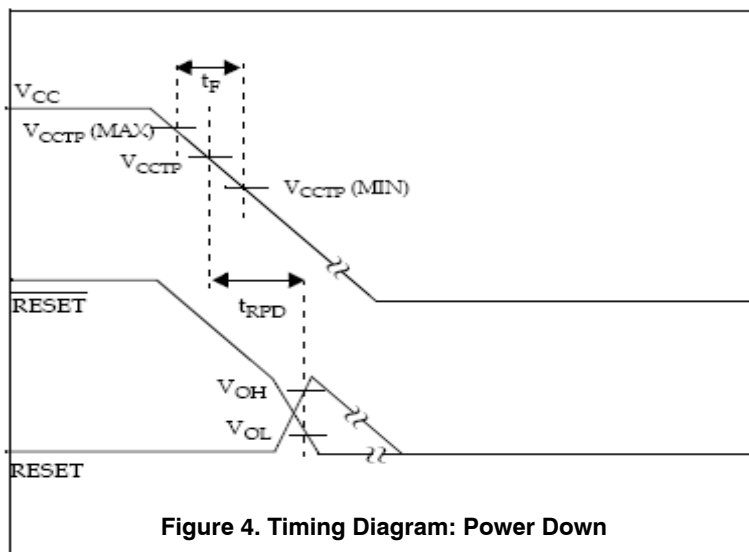
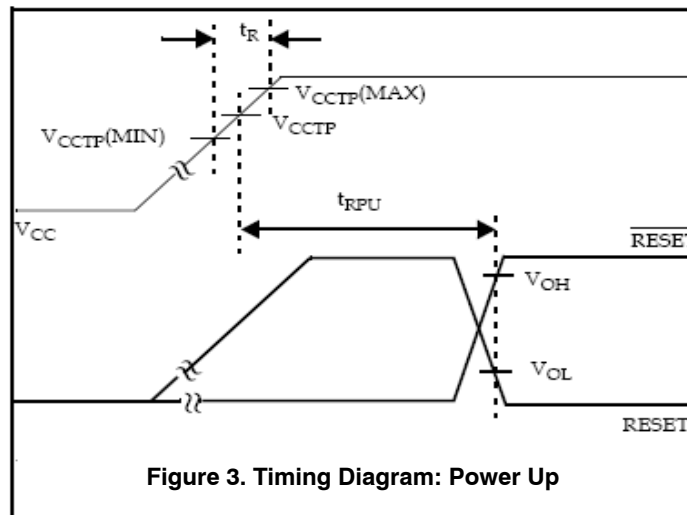
$\overline{\text{RESET}}$ is an active LOW signal. It is developed with an open drain driver. A pull up resistor of typical value 10 k Ω to 50 k Ω is required to connect with the output.

Trip Point Tolerance Selection

The TOL input is used to determine the level V_{CC} can vary below 5 V without asserting a reset. With TOL connected to V_{CC} , RESET and $\overline{\text{RESET}}$ become active whenever V_{CC} falls below 4.5 V. RESET and $\overline{\text{RESET}}$ become active when the V_{CC} falls below 4.75 V if TOL is connected to ground.

After V_{CC} has risen above the trip point set by TOL, RESET and $\overline{\text{RESET}}$ remain active for a minimum time period of 250 ms. On power-down, once V_{CC} falls below the reset threshold $\overline{\text{RESET}}$ stays LOW and is guaranteed to be 0.4 V or less until V_{CC} drops below 1.2 V. The active HIGH reset signal is valid down to a V_{CC} level of 1.2 V also.

Tolerance Select	Tolerance	TRIP Point Voltage (V)		
		Min	Nom	Max
TOL = V_{CC}	10%	4.25	4.37	4.49
TOL = GND	5%	4.5	4.62	4.74



ASM1232LP, ASM1232LPS

Application Information

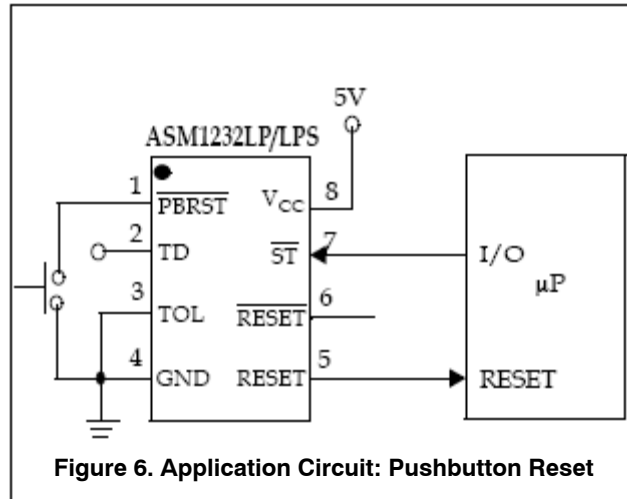
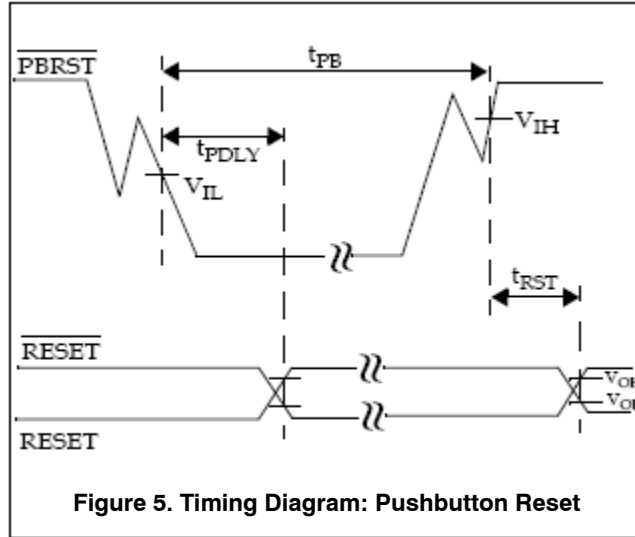
Manual Reset Operation

Push-button switch input, $\overline{\text{PBRST}}$, allows the user to override the internal trip point detection circuits and issue reset signals. The pushbutton input is debounced and is pulled HIGH through an internal 40 k Ω resistor.

When $\overline{\text{PBRST}}$ is held LOW for the minimum time t_{PB} , both resets become active and remain active for a minimum time period of 250 ms after $\overline{\text{PBRST}}$ returns HIGH.

The debounced input is guaranteed to recognize pulses greater than 20 ms. No external pull-up resistor is required, since $\overline{\text{PBRST}}$ is pulled HIGH by an internal 40 k Ω resistor.

The $\overline{\text{PBRST}}$ can be driven from a TTL or CMOS logic line or shorted to ground with a mechanical switch.

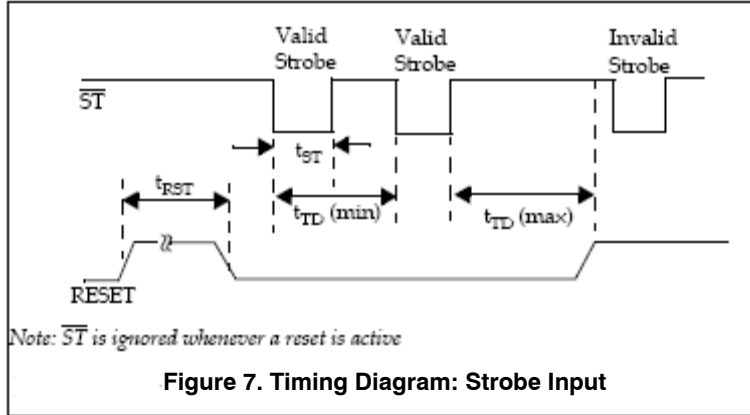


ASM1232LP, ASM1232LPS

Watchdog Timer and \overline{ST} Input

A watchdog timer stops and restarts a microprocessor that is “hung-up”. The μP must toggle the \overline{ST} input within a set period (as selectable through TD input) to verify proper software execution. If the \overline{ST} is not toggled low within the minimum timeout period, reset signals become active. In

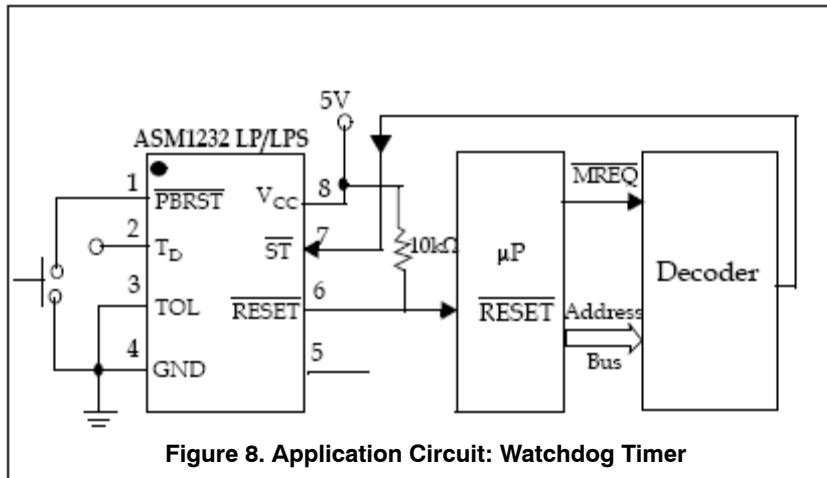
power-up after the supply voltage returns to an in-tolerance condition, the reset signal remains active for 250 ms minimum, allowing the power supply and system microprocessor to stabilize. \overline{ST} pulses as short as 20 ns can be detected.



Timeouts periods of approximately 150 ms, 610 ms or 1,200 ms are selected through the TD pin.

TD Voltage level	Watchdog Time-out Period (ms)		
	Min	Nom	Max
GND	62.5	150	250
Floating	250	610	1000
V _{CC}	500	1200	2000

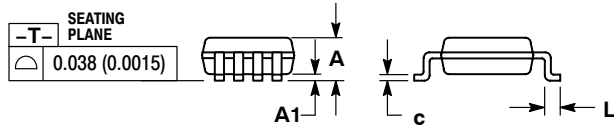
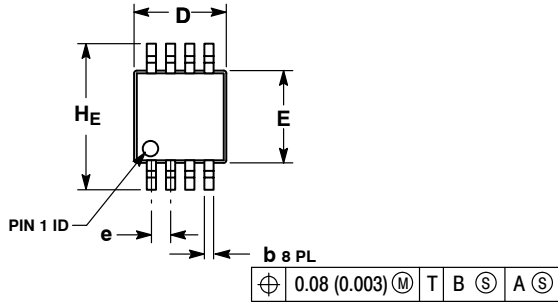
The watchdog timer cannot be disabled. It must be strobed with a high-to-low transition to avoid watchdog timeout and reset.



ASM1232LP, ASM1232LPS

PACKAGE DIMENSIONS

Micro8™/TSSOP8 3x3
CASE 846AA-01
ISSUE O

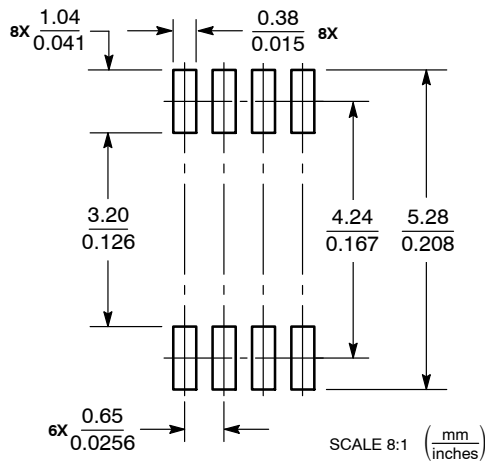


NOTES:

1. DIMENSIONING AND TOLERANCING PER ANSI Y14.5M, 1982.
2. CONTROLLING DIMENSION: MILLIMETER.
3. DIMENSION A DOES NOT INCLUDE MOLD FLASH, PROTRUSIONS OR GATE BURRS. MOLD FLASH, PROTRUSIONS OR GATE BURRS SHALL NOT EXCEED 0.15 (0.006) PER SIDE.
4. DIMENSION B DOES NOT INCLUDE INTERLEAD FLASH OR PROTRUSION. INTERLEAD FLASH OR PROTRUSION SHALL NOT EXCEED 0.25 (0.010) PER SIDE.
5. 846A-01 OBSOLETE, NEW STANDARD 846A-02.

DIM	MILLIMETERS			INCHES		
	MIN	NOM	MAX	MIN	NOM	MAX
A	--	--	1.10	--	--	0.043
A1	0.05	0.08	0.15	0.002	0.003	0.006
b	0.25	0.33	0.40	0.010	0.013	0.016
c	0.13	0.18	0.23	0.005	0.007	0.009
D	2.90	3.00	3.10	0.114	0.118	0.122
E	2.90	3.00	3.10	0.114	0.118	0.122
e	0.65 BSC			0.026 BSC		
L	0.40	0.55	0.70	0.016	0.021	0.028
HE	4.75	4.90	5.05	0.187	0.193	0.199

SOLDERING FOOTPRINT*

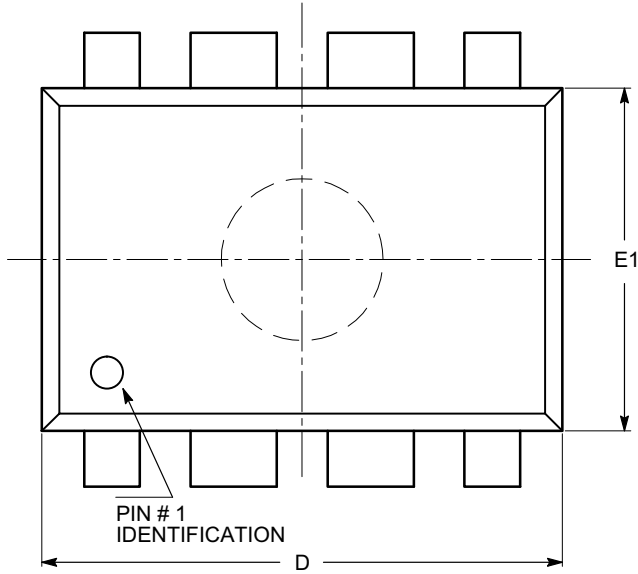


*For additional information on our Pb-Free strategy and soldering details, please download the ON Semiconductor Soldering and Mounting Techniques Reference Manual, SOLDERRM/D.

ASM1232LP, ASM1232LPS

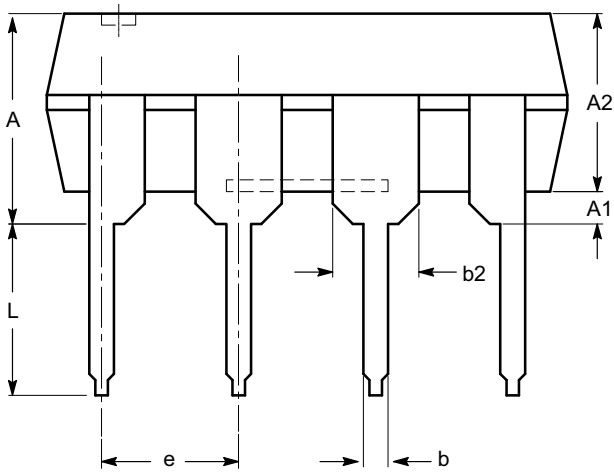
PACKAGE DIMENSIONS

PDIP-8, 300 mils
CASE 646AA-01
ISSUE A



SYMBOL	MIN	NOM	MAX
A			5.33
A1	0.38		
A2	2.92	3.30	4.95
b	0.36	0.46	0.56
b2	1.14	1.52	1.78
c	0.20	0.25	0.36
D	9.02	9.27	10.16
E	7.62	7.87	8.25
E1	6.10	6.35	7.11
e	2.54 BSC		
eB	7.87		10.92
L	2.92	3.30	3.80

TOP VIEW



SIDE VIEW



END VIEW

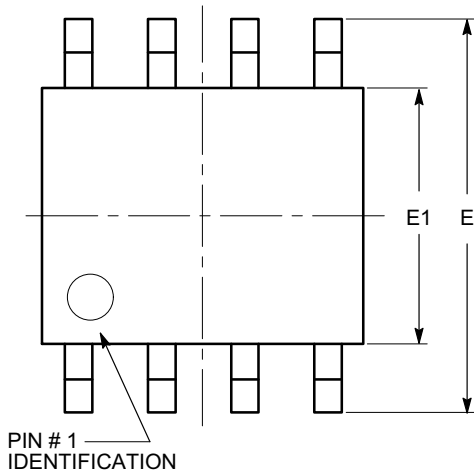
Notes:

- (1) All dimensions are in millimeters.
- (2) Complies with JEDEC MS-001.

ASM1232LP, ASM1232LPS

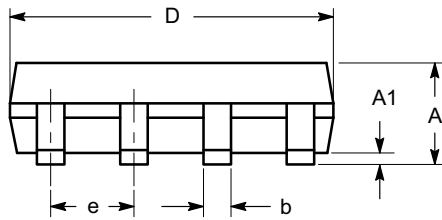
PACKAGE DIMENSIONS

SOIC 8, 150 mils
CASE 751BD-01
ISSUE O

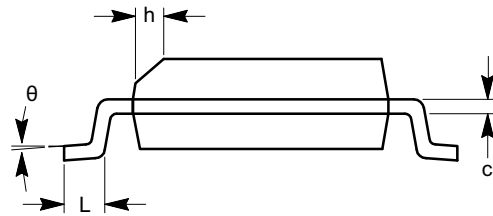


TOP VIEW

SYMBOL	MIN	NOM	MAX
A	1.35		1.75
A1	0.10		0.25
b	0.33		0.51
c	0.19		0.25
D	4.80		5.00
E	5.80		6.20
E1	3.80		4.00
e	1.27 BSC		
h	0.25		0.50
L	0.40		1.27
θ	0°		8°



SIDE VIEW



END VIEW

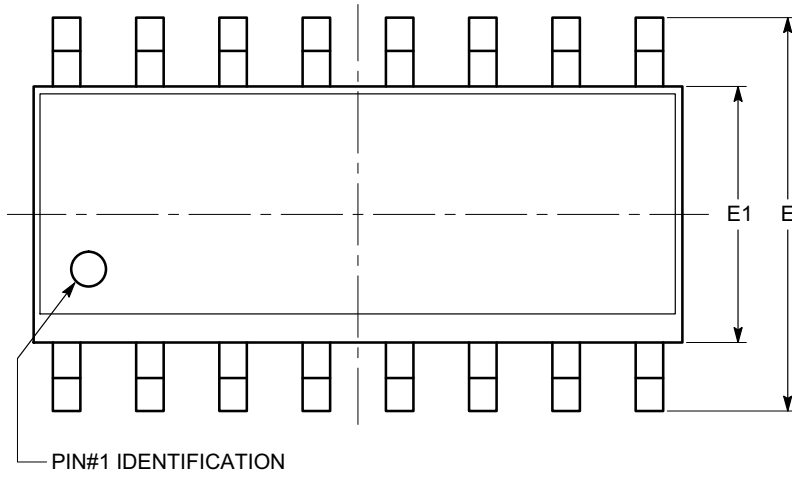
Notes:

- (1) All dimensions are in millimeters. Angles in degrees.
- (2) Complies with JEDEC MS-012.

ASM1232LP, ASM1232LPS

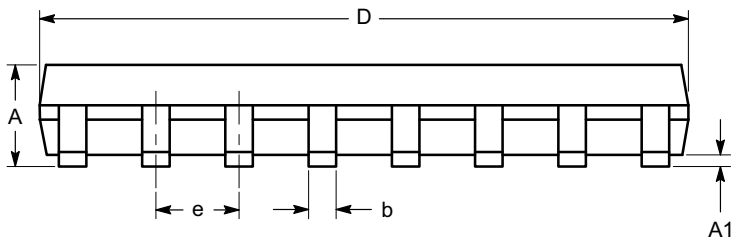
PACKAGE DIMENSIONS

SOIC-16, 150 mils
CASE 751BG-01
ISSUE O

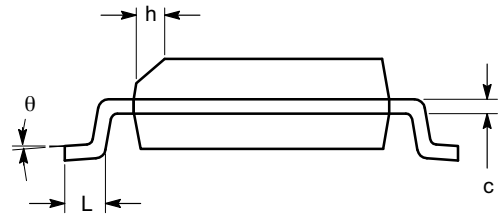


SYMBOL	MIN	NOM	MAX
A	1.35		1.75
A1	0.10		0.25
b	0.33		0.51
c	0.19		0.25
D	9.80	9.90	10.00
E	5.80	6.00	6.20
E1	3.80	3.90	4.00
e	1.27 BSC		
h	0.25		0.50
L	0.40		1.27
θ	0°		8°

TOP VIEW



SIDE VIEW



END VIEW

Notes:


- (1) All dimensions are in millimeters. Angles in degrees.
- (2) Complies with JEDEC MS-012.

ASM1232LP, ASM1232LPS

Table 4. ORDERING INFORMATION

Part Number (Note 6)	Package	Operating Temperature Range	Maximum Supply Current (μ A)	Voltage Monitoring Application	Package Marking
TIN-LEAD DEVICES					
ASM1232LP	8L PDIP	0°C to +70°C	30	5 V	ASM1232LP
ASM1232LPN	8L PDIP	-40°C to +85°C	30	5 V	ASM1232LPN
ASM1232LPS	16L SOIC	0°C to +70°C	30	5 V	ASM1232LPS
ASM1232LPS-2	8L SOIC	0°C to +70°C	30	5 V	ASM1232LPS-2
ASM1232LPSN	16L SOIC	-40°C to +85°C	30	5 V	ASM1232LPSN
ASM1232LPSN-2	8L SOIC	-40°C to +85°C	30	5 V	ASM1232LPSN-2
ASM1232LPU	8L MSOP	0°C to +70°C	30	5 V	ASM1232LP
ASM1232LPUN	8L MSOP	-40°C to +85°C	30	5 V	ASM1232LPN
LEAD FREE DEVICES					
ASM1232LPPF	8L PDIP	0°C to +70°C	30	5 V	ASM1232LPPF
ASM1232LPNF	8L PDIP	-40°C to +85°C	30	5 V	ASM1232LPNF
ASM1232LPS-2F	8L SOIC	0°C to +70°C	30	5 V	ASM1232LPS-2F
ASM1232LPSF	16L SOIC	0°C to +70°C	30	5 V	ASM1232LPSF
ASM1232LPSN-2F	8L SOIC	-40°C to +85°C	30	5 V	ASM1232LPSN-2F
ASM1232LPSNF	16L SOIC	-40°C to +85°C	30	5 V	ASM1232LPSNF
ASM1232LPUF	8L MSOP	0°C to +70°C	30	5 V	ASM1232LPPF
ASM1232LPUNF	8L MSOP	-40°C to +85°C	30	5 V	ASM1232LPNF

6. For parts to be packed in Tape and Reel, add "-T" at the end of the part number.

ON Semiconductor and  are registered trademarks of Semiconductor Components Industries, LLC (SCILLC). SCILLC reserves the right to make changes without further notice to any products herein. SCILLC makes no warranty, representation or guarantee regarding the suitability of its products for any particular purpose, nor does SCILLC assume any liability arising out of the application or use of any product or circuit, and specifically disclaims any and all liability, including without limitation special, consequential or incidental damages. "Typical" parameters which may be provided in SCILLC data sheets and/or specifications can and do vary in different applications and actual performance may vary over time. All operating parameters, including "Typicals" must be validated for each customer application by customer's technical experts. SCILLC does not convey any license under its patent rights nor the rights of others. SCILLC products are not designed, intended, or authorized for use as components in systems intended for surgical implant into the body, or other applications intended to support or sustain life, or for any other application in which the failure of the SCILLC product could create a situation where personal injury or death may occur. Should Buyer purchase or use SCILLC products for any such unintended or unauthorized application, Buyer shall indemnify and hold SCILLC and its officers, employees, subsidiaries, affiliates, and distributors harmless against all claims, costs, damages, and expenses, and reasonable attorney fees arising out of, directly or indirectly, any claim of personal injury or death associated with such unintended or unauthorized use, even if such claim alleges that SCILLC was negligent regarding the design or manufacture of the part. SCILLC is an Equal Opportunity/Affirmative Action Employer. This literature is subject to all applicable copyright laws and is not for resale in any manner.

PUBLICATION ORDERING INFORMATION

LITERATURE FULFILLMENT:
Literature Distribution Center for ON Semiconductor
P.O. Box 5163, Denver, Colorado 80217 USA
Phone: 303-675-2175 or 800-344-3860 Toll Free USA/Canada
Fax: 303-675-2176 or 800-344-3867 Toll Free USA/Canada
Email: orderlit@onsemi.com

N. American Technical Support: 800-282-9855 Toll Free
USA/Canada
Europe, Middle East and Africa Technical Support:
Phone: 421 33 790 2910
Japan Customer Focus Center
Phone: 81-3-5773-3850

ON Semiconductor Website: www.onsemi.com
Order Literature: <http://www.onsemi.com/orderlit>

For additional information, please contact your local Sales Representative