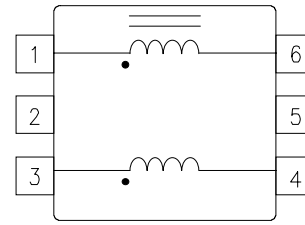


Surface Mount Common Mode Choke

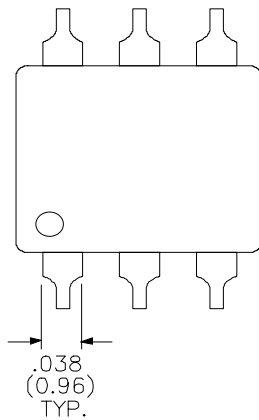
Schematic
Diagram



Electrical Specifications at 25° C

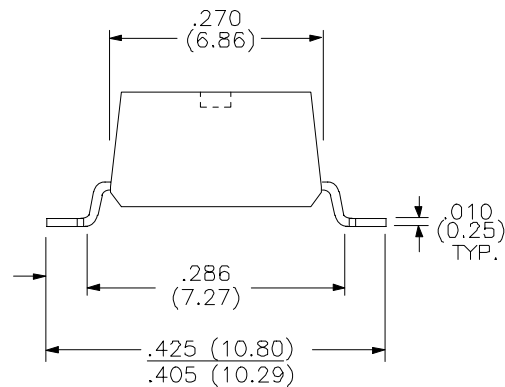
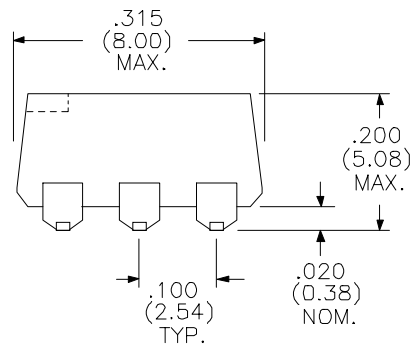
Part Number	Pri. Ind. OCL, Typ. (μH)	DCR Max. (Ω)	Hi-Pot Min. V_{RMS}	Common Mode Attenuation (dB)							
				10M	50M	100M	150M	200M	250M	300M	400M
F-138	1.16	0.3	1000	18	20	20	23	30	20	10	2

Operating Temperature Range: 0 °C to +70 °C



Physical
Dimensions

inches (mm)



RHOMBUS P/N: F-138

CUST P/N:

NAME:

DATE: 9/22/99

SHEET: 1 OF 1