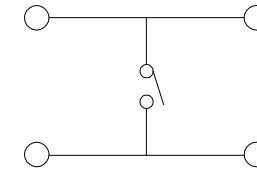
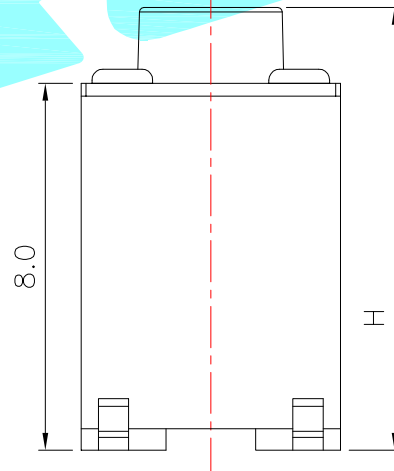
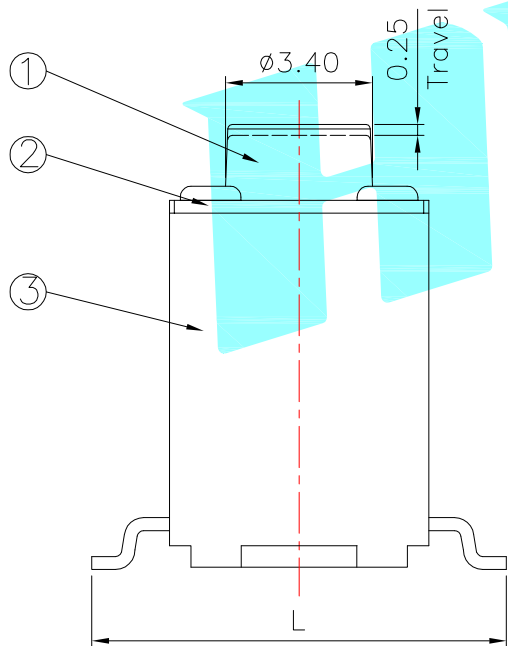


PCB Layout(Pattern side)



Circuit Diagram



NO.1			
PART NO	H	PART NO	H
O	11	P	11.5
Q	12	R	12.5
S	13	T	13.5
U	14	3	14.5
V	15	1	15.5
W	16	2	16.5
X	17	4	17.5
Y	18		

NO.3	
PART NO	MATERIAL/QTY
S	SUS/1PC
C	C5210/1PC
D	SUS/2PCS
F	C5210/2PCS

NO.4		
PART NO	L	L1
A	8	10
B	8.5	11
C	9	11
D	9.5	12
E	10	12

NO.2	
PART NO	vigor
1	90±30
2	130±30
3	180±30
4	250±30
5	350±50

NO.5-NO.6	
PART NO	NOTE
01~99	SERIAL NUMBER

⑤	Terminal	—	4	Brass(0.30t)	Plating silver	—
④	Contact	—	1	F.Ag/SUS	—	—
③	Base	—	1	Nylon	Black	—
②	Cover	—	1	Brass	Plating Nickel	—
①	Keystoke	—	1	Nylon	Black	—
ITEM	PART NAME	TER'NO.	QTY.	MATERIAL	FINISHING	REMARK

APPROVALS		DATE	HRO 興業 ELECTRONICS CO.,LTD			
DRAWN	SUNNY	2020.7.7	TITLE:	TACT SWITCHS		
CHECKED			PART NO.	K2-6645SP-□□□□-□□		
APPROVALS			TOLERANCES ARE	30~以上 10~30 5~10 ~ 5	±0.30 ±0.20 ±0.15 ±0.10	ANGLE ±2°
ECN NO.	REV.	DATE.	DESCRIPTION.	CHANGE.	CHECK.	APPRO.

NEW						
ECN NO.	REV.	DATE.	DESCRIPTION.	CHANGE.	CHECK.	APPRO.

UNIT: mm	SCALE: 1:1	PROJ:
DRAWING NO.		SHEET 1 OF 1