



TAPSF-100G

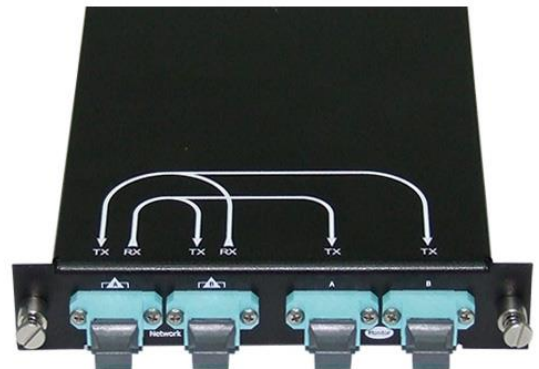
TAPSF-100G Fiber TAP Stand Alone Unit

Product Description

The Silicom TAPSF-100G is external passive TAP for 100G-SR10 / 100G-SR4 / 100G-LR4 Fiber Gigabit Ethernet networks.

The Silicom TAPSF-100G captures both sides of the Network links and transmits a copy on to the monitor ports, this feature enables full duplex monitoring of all packets transmitted between the Network ports.

The Silicom TAPSF-100G does not require power; The Silicom TAPSF-100G can be optionally installed in a rack mount frame.



Key Features

- Supports Fiber Gigabit Ethernet (100G-SR10 / 100G-SR4 / 100G-LR4)
- Passive TAP enables full duplex monitoring for 100G fiber Gigabit Ethernet networks
- Transparent to the network
- Does not require power
- No IP address is needed
- Optional 19-inch rack frame holds up to 3 TAPs

Figure: 1- TAPSF-100G-SR10, TAPSF-100G-SR4 connections diagram

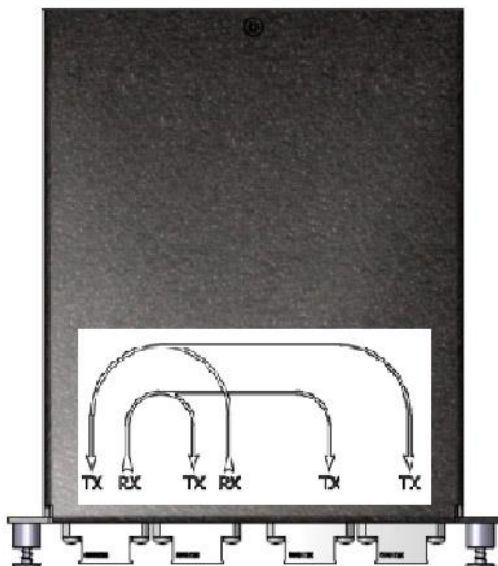
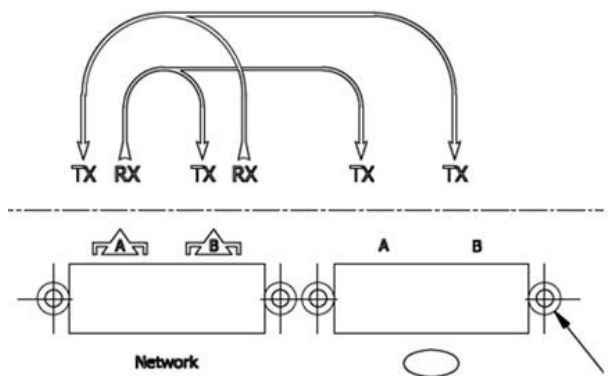


Figure: 2- TAPSF-100G-LR4: Front panel and connections diagram

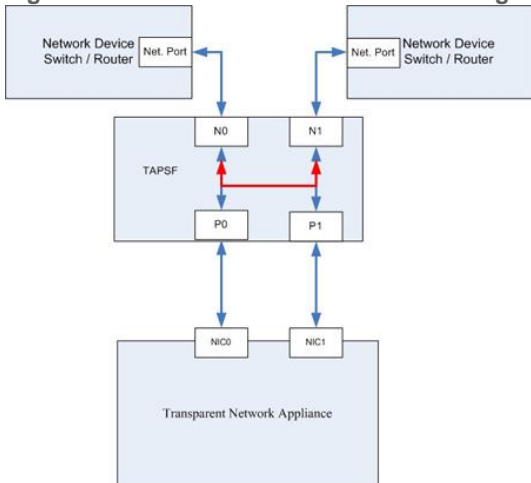


Technical Specifications

Fiber Ethernet General Technical Specifications:	
IEEE Standard / Network topology:	Fiber 100Gigabit Ethernet, 100GBASE-SR10 (850nM) Fiber 100Gigabit Ethernet, 100GBASE-SR4 (850nM) Fiber 40Gigabit Ethernet, 40GBASE-SR4 (850nM)
Fiber core:	Multimode fiber: 50uM OM4
Insertion loss ratio:	-50/50: 50% – Network ports to Monitor port 50% – Network port to network port
IEEE Standard / Network topology:	Fiber 100Gigabit Ethernet, 100GBASE-LR4 Fiber 100Gigabit Ethernet, 1000BASE-ER4 (1295.56nM, 1300.05nM, 1304.58nM, 1309.14nM)
Fiber core:	Singlemode fiber: 9uM
Insertion loss ratio:	-60/40: 60% – Network ports to Monitor port 40% – Network port to network port
General Technical Specifications	
Size:	x 120.5mm (wide) x 148mm (depth) x 27.7mm (height) (4.744" x 5.827" x 1.09")
Weight	610 gram (21.52 oz)
Operating Humidity:	0%–90%, non-condensing

Operating Temperature:	0°C – 50°C (32°F – 122°F)
Storage Temperature:	-20°C–65°C (-4°F–149°F)
EMC Certifications:	Class B
MTBF*:	> 50 years

Figure: 3 – TAP Mode Functional Block Diagram



Order Information

P/N	Description	Notes
TAPSF-100G-QS10-55	100 Gigabit (SR10) Fiber TAP Stand Alone Unit	50uM Fiber core OM4, splitting ratio 50/50
TAPSF-100G-QS4-55	100 Gigabit (SR4) Fiber TAP Stand Alone Unit	50uM Fiber core OM4, splitting ratio 50/50
TAPSF-100G-LR4-64	100 Gigabit (LR4) Fiber TAP Stand Alone Unit	9uM Fiber core, splitting ratio 60/40
RK-1U-3-PBSS	Rack mount frame for 3x Silicom TAP standalone units.	Optional for 19" / 1U mounting frame



* The -XX suffix at P/N defines the splitting ratio