

QUINT4-PS/1AC/24DC/40

Power supply unit

Data sheet
108827_en_00

© PHOENIX CONTACT 2019-11-11



1 Description

QUINT POWER power supplies with SFB Technology and preventive function monitoring ensure superior system availability.

Powerful

- SFB Technology: 6 times the nominal current for 15 ms
- Power reserves:
Static boost of up to 125% (P_N) for a sustained period
Dynamic boost of up to 200% (P_N) for 5 s

Robust

- Mains buffering ≥ 20 ms
- High degree of electrical immunity, thanks to integrated gas discharge tube (6 kV)

Preventive

- Comprehensive signaling:
Analog signal, digital signal, relay contact, LED bar graph

Can be ordered pre-configured

- Perform configuration online and order 1 or more units

Technical data (short form)

Input voltage range 100 V AC ... 240 V AC
-15 % ... +10 %

Mains buffering typ. 29 ms (120 V AC)
typ. 32 ms (230 V AC)

Nominal output voltage (U_N) 24 V DC

Setting range of the output voltage (U_{Set}) 24 V DC ... 29.5 V DC

Nominal output current (I_N) 40 A
Static Boost ($I_{Stat.Boost}$) 45 A
Dynamic Boost ($I_{Dyn.Boost}$) 60 A (5 s)
Selective Fuse Breaking (I_{SFB}) 215 A (15 ms)

Output power (P_N) 960 W
Output power ($P_{Stat. Boost}$) 1080 W
Output power ($P_{Dyn. Boost}$) 1440 W

Efficiency typ. 94.8 % (120 V AC)
typ. 95.9 % (230 V AC)

Residual ripple < 50 mV_{PP}

MTBF (IEC 61709, SN 29500) > 555000 h (40 °C)

Ambient temperature (operation) -25 °C ... 70 °C
-40 °C (startup type tested)
 > 60 °C Derating: 2.5 %/K

Dimensions W/H/D 120 mm / 130 mm / 140 mm

Weight 2.6 kg



All technical specifications are nominal values and refer to a room temperature of 25 °C and 70 % relative humidity at 100 m above sea level.

| | | |
|----------|--|----|
| 2 | Table of contents | |
| 1 | Description | 1 |
| 2 | Table of contents | 2 |
| 3 | Ordering data | 3 |
| 4 | Technical data | 5 |
| 5 | Safety and installation notes | 16 |
| 6 | High-voltage test (HIPOT) | 17 |
| 7 | Structure of the power supply | 19 |
| 8 | Mounting/removing the power supply | 22 |
| 9 | Device connection terminal blocks | 25 |
| 10 | Output characteristic curves | 27 |
| 11 | Configuring the power supply | 29 |
| 12 | Boost currents | 31 |
| 13 | SFB Technology | 32 |
| 14 | Signaling..... | 37 |
| 15 | Operating modes | 45 |
| 16 | Derating..... | 47 |

3 Ordering data

| Description | Type | Order No. | Pcs./Pkt. |
|--|-----------------------|-----------|-----------|
| Primary-switched QUINT POWER power supply with free choice of output characteristic curve, SFB (selective fuse breaking) technology, and NFC interface, input: 1-phase, output: 24 V DC/40 A | QUINT4-PS/1AC/24DC/40 | 2904603 | 1 |



Versions of the primary-switched QUINT POWER power supply with SFB Technology (selective fuse breaking), which are configured online, can now be ordered in batches of one or more using the following web code: phoenixcontact.net/webcode/#0852







| Accessories | Type | Order No. | Pcs./Pkt. |
|--|-----------------------------|-----------|-----------|
| Universal wall adapter for securely mounting the device in the event of strong vibrations. The device is screwed directly onto the mounting surface. The universal wall adapter is attached on the top/bottom. | UWA 182/52 | 2938235 | 1 |
| 2-piece universal wall adapter for securely mounting the device in the event of strong vibrations. The profiles that are screwed onto the side of the device are screwed directly onto the mounting surface. The universal wall adapter is attached on the left/right. | UWA 130 | 2901664 | 1 |
| Assembly adapter for QUINT-PS... power supply on S7-300 rail | QUINT-PS-ADAPTERS7/1 | 2938196 | 1 |
| Near Field Communication (NFC) programming adapter with USB interface for the wireless configuration of NFC-capable products from PHOENIX CONTACT with software. No separate USB driver is required. | TWN4 MIFARE NFC USB ADAPTER | 2909681 | 1 |
| Type 2/3 surge protection, consisting of protective plug and base element with screw connection. For single-phase power supply network with integrated status indicator and remote signaling. Nominal voltage 230 V AC/DC. | PLT-SEC-T3-230-FM-UT | 2907919 | 5 |
| End clamp, width: 10 mm, height: 44 mm, material: Aluminum, length: 59 mm, color: silver | E/AL-NS 35 | 1201662 | 10 |
| Type 3 surge protection, consisting of protective plug and base element, with integrated status indicator and remote signaling for single-phase power supply networks. Nominal voltage 24 V AC/DC. | PLT-SEC-T3-24-FM-UT | 2907916 | 5 |
| Type 2/3 surge protection, consisting of protective plug and base element with Push-in connection. For single-phase power supply network with integrated status indicator and remote signaling. Nominal voltage 230 V AC/DC. | PLT-SEC-T3-230-FM-PT | 2907928 | 5 |
| Type 3 surge protection, consisting of protective plug and base element, with integrated status indicator and remote signaling for single-phase power supply networks. Nominal voltage 24 V AC/DC. | PLT-SEC-T3-24-FM-PT | 2907925 | 5 |

| Accessories | Type | Order No. | Pcs./Pkt. |
|---|--------------------------|-----------|-----------|
| Electronic device circuit breaker, number of positions: 1, mounting type: DIN rail: 35 mm, Color: light grey RAL 7035 | CBMC E4 24DC/1-4A NO | 2906031 | 1 |
| Electronic device circuit breaker, number of positions: 1, mounting type: DIN rail: 35 mm, Color: light grey RAL 7035 | CBMC E4 24DC/1-10A NO | 2906032 | 1 |
| Electronic device circuit breaker, number of positions: 1, mounting type: DIN rail: 35 mm, Color: light grey RAL 7035 | CBMC E4 24DC/1-4A+ IOL | 2910410 | 1 |
| Electronic device circuit breaker, number of positions: 1, mounting type: DIN rail: 35 mm, Color: light grey RAL 7035 | CBMC E4 24DC/1-10A IOL | 2910411 | 1 |
| Electronic device circuit breaker, number of positions: 1, mounting type: DIN rail: 35 mm, Color: light grey RAL 7035 | CBM E4 24DC/0.5-10A NO-R | 2905743 | 1 |
| Electronic device circuit breaker, number of positions: 1, mounting type: DIN rail: 35 mm, Color: light grey RAL 7035 | CBM E8 24DC/0.5-10A NO-R | 2905744 | 1 |



The range of accessories is being continuously extended. The current range of accessories can be found in the download area for the product.

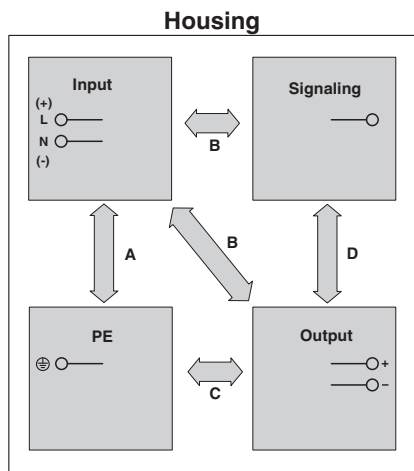
4 Technical data

| Input data | |
|---|---|
|  | Unless otherwise stated, all data applies for 25°C ambient temperature, 230 V AC input voltage, and nominal output current (I_N). |
| Input voltage range | 100 V AC ... 240 V AC -15 % ... +10 % 110 V DC ... 250 V DC -18 % ... +40 % |
| Electric strength, max. | 300 V AC 60 s |
| Frequency range (f_N) | 50 Hz ... 60 Hz -10 % ... +10 % |
| Frequency (f_R) for railway power supply systems | 16.7 Hz (acc. to EN 50163) |
|  | Railway power supply systems can be operated at 16.7 Hz. Use conditions and technical data on request. |
| Current draw typ. | 13.6 A (100 V AC) 10 A (120 V AC) 5.2 A (230 V AC) 5.4 A (240 V AC) 12 A (110 V DC) 5 A (250 V DC) |
|  | The specified values for current consumption apply for operation in the static boost ($P_N \times 125\%$). |
| Discharge current to PE typical | < 3.5 mA 1.7 mA (264 V AC, 60 Hz) |
| Mains buffering | typ. 29 ms (120 V AC) typ. 32 ms (230 V AC) |
| Inrush current limitation after 1 ms | 12 A |
| Inrush current integral (I^2t) | < 1 A ² s |
| Input fuse slow-blow, internal | 16 A |
|  | During the first few microseconds, the current flow into the filter capacitors is excluded. |
|  | The SCCR value (short-circuit current rating) of the power supply unit corresponds to the SCCR value of the backup fuse (see input protection table). |
|  | The external backup fuse must be approved for the (AC) supply voltage used and the voltage level. |

Input protection , AC/DC (to be connected externally upstream)

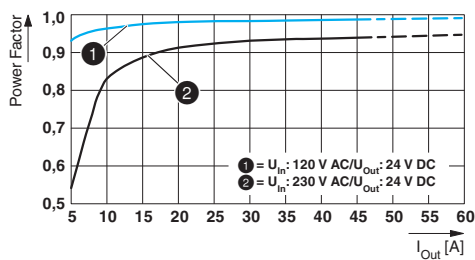
| Input current I_{In} Input protection | Circuit breaker | | | | | Neozed fuse or equivalent | Power switch |
|--|-----------------|---|---|---|---|------------------------------|--|
| Characteristics | A | B | C | D | K | gG | $\leq 13 \times I_{In}$ (maximum magnetic tripping) |
| 4 A | - | - | - | - | - | ✓ | - |
| 6 A | - | - | - | - | - | ✓ | - |
| 8 A | - | ✓ | ✓ | ✓ | ✓ | ✓ | ✓ |
| 10 A | - | ✓ | ✓ | ✓ | ✓ | ✓ | ✓ |
| 13 A | ✓ | ✓ | ✓ | ✓ | ✓ | ✓ | ✓ |
| 16 A | ✓ | ✓ | ✓ | ✓ | ✓ | ✓ | ✓ |

Electric strength of the insulation



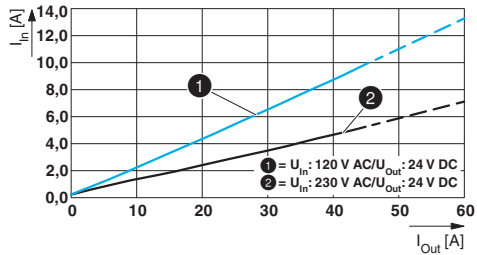
| | A | B | C | D |
|---|------------------------|------------------------|-----------|-----------|
| Type test (IEC/EN 60950-1) | 2.5 kV AC | 4 kV AC | 0.5 kV DC | 0.5 kV DC |
| Production test | 2 kV AC | 2 kV AC | 0.5 kV DC | 0.5 kV DC |
| Field test (with gas-filled surge arrester) | 0.8 kV AC 1.1 kV DC | 0.8 kV AC 1.1 kV DC | 0.5 kV DC | 0.5 kV DC |
| Field test (gas-filled surge arrester de-contacted) | 2 kV AC 2.83 kV DC | 2 kV AC 2.83 kV DC | 0.5 kV DC | 0.5 kV DC |

POWER factor



| | | |
|---------------------|-----------------|-----------------|
| Crest factor | 120 V AC | 230 V AC |
| | typ. 1.5 | typ. 1,6 |

Input current vs. output current



Input connection data

| | |
|---|--|
| Connection method | Screw connection |
| Conductor cross section, solid | 0.2 mm ² ... 6 mm ² |
| Conductor cross section, flexible | 0.2 mm ² ... 4 mm ² |
| Conductor cross section flexible, with ferrule with plastic sleeve | 0.25 mm ² ... 4 mm ² |
| Conductor cross section flexible, with ferrule without plastic sleeve | 0.25 mm ² ... 4 mm ² |
| Conductor cross section AWG | 24 ... 10 |
| Stripping length | 8 mm |
| Tightening torque | 0.5 Nm ... 0.6 Nm |

Output data

| | |
|---|--|
| Nominal output voltage (U_N) | 24 V DC |
| Setting range of the output voltage (U_{Set}) (constant capacity) | 24 V DC ... 29.5 V DC |
| Nominal output current (I_N) | 40 A |
| Static Boost ($I_{Stat.Boost}$) | 45 A |
| Dynamic Boost ($I_{Dyn.Boost}$) | 60 A (5 s) |
| Selective Fuse Breaking (I_{SFB}) | 215 A (15 ms) |
| Magnetic circuit breaker tripping | A1...A40 / B2...B25 / C1...C13 / Z1...Z16 |
| Control deviation Static load change 10 % ... 90 % | < 0.5 % |
| Control deviation Dynamic load change 10 % ... 90 %, (10 Hz) | < 1 % |
| Control deviation change in input voltage ± 10 % | < 0.25 % |
| Short-circuit-proof | yes |
| No-load proof | yes |
| Residual ripple (with nominal values) | < 50 mV _{PP} |
| Connection in parallel | Yes, for redundancy and increased capacity |
| Connection in series | yes |
| Feedback voltage resistance | $\leq 35 \text{ V DC}$ |
| Protection against overvoltage at the output (OVP) | $\leq 32 \text{ V DC}$ |

| Output connection data | |
|---|--|
| Connection method | Screw connection |
| Conductor cross section, solid | 0.5 mm ² ... 16 mm ² |
| Conductor cross section, flexible | 0.5 mm ² ... 16 mm ² |
| Conductor cross section flexible, with ferrule with plastic sleeve | 0.5 mm ² ... 16 mm ² |
| Conductor cross section flexible, with ferrule without plastic sleeve | 0.5 mm ² ... 16 mm ² |
| Conductor cross section AWG | 20 ... 6 |
| Stripping length | 10 mm |
| Tightening torque | 1.2 Nm ... 1.5 Nm |
| LED signaling | |
| $P_{Out} > 100\%$ | LED lights up yellow, output power > 960 W |
| $P_{Out} > 75\%$ | LED lights up green, output power > 720 W |
| $P_{Out} > 50\%$ | LED lights up green, output power > 480 W |
| $U_{Out} > 0.9 \times U_{Set}$ | LED lights up green |
| $U_{Out} < 0.9 \times U_{Set}$ | LED flashes green |
| Signal contact (configurable) | |
| Signal output (configurable) Out 1 | |
| Digital | 0 / 24 V DC , 20 mA |
| Default | 24 V DC , 20 mA (24 V DC for $U_{Out} > 0.9 \times U_{Set}$) |
| Signal output (configurable) Out 2 | |
| Digital | 0 / 24 V DC , 20 mA |
| Analog | 4 mA ... 20 mA $\pm 5\%$ (Load $\leq 400 \Omega$) |
| Default | 24 V DC , 20 mA (24 V DC for $P_{Out} < P_N$) |
| Relay contact (configurable) 13/14 | |
| Function | N/O contact |
| Default | closed ($U_{out} > 0.9 U_{Set}$) |
| Maximum contact load | 24 V DC 1 A , 30 V AC/DC 0.5 A |
| Control input (configurable) Rem | |
| Function | Output power ON/OFF (SLEEP MODE) |
| Default | Output power ON (>40 k Ω /24 V DC/open bridge between Rem and SGnd) |
| Signal ground SGnd | Reference potential for Out1, Out2, and Rem |

| Signal connection data | |
|---|--|
| Connection method | Push-in connection |
| Conductor cross section, solid | 0.2 mm ² ... 1 mm ² |
| Conductor cross section, flexible | 0.2 mm ² ... 1.5 mm ² |
| Conductor cross section flexible, with ferrule with plastic sleeve | 0.2 mm ² ... 0.75 mm ² |
| Conductor cross section flexible, with ferrule without plastic sleeve | 0.2 mm ² ... 1.5 mm ² |
| Conductor cross section AWG | 24 ... 16 |
| Stripping length | 8 mm |

| Reliability | 230 V AC |
|----------------------------|--|
| MTBF (IEC 61709, SN 29500) | > 934000 h (25 °C) > 555000 h (40 °C) > 249000 h (60 °C) |

| Life expectancy (electrolytic capacitors) Output current (I _{Out}) | 120 V AC | 230 V AC |
|---|--------------------|--------------------|
| 20 A | > 394000 h (40 °C) | > 452000 h (40 °C) |
| 40 A | > 113000 h (40 °C) | > 149000 h (40 °C) |
| 40 A | > 320000 h (25 °C) | > 422000 h (25 °C) |



The expected service life is based on the capacitors used. If the capacitor specification is observed, the specified data will be ensured until the end of the stated service life. For runtimes beyond this time, error-free operation may be reduced. The specified service life of more than 15 years is simply a comparative value.

| Switching frequency | Min. | Max. |
|---------------------------|--------|---------|
| PFC stage | 50 kHz | 500 kHz |
| Auxiliary converter stage | 85 kHz | 107 kHz |
| Main converter stage | 45 kHz | 200 kHz |

| General data | |
|---|--------------------------|
| Degree of protection | IP20 |
| Protection class | I |
| Inflammability class in acc. with UL 94 (housing / terminal blocks) | V0 |
| Side element version | Aluminum |
| Hood version | Stainless steel X6Cr17 |
| Dimensions W / H / D (state of delivery) | 120 mm / 130 mm / 140 mm |
| Weight | 2.6 kg |

| Power dissipation | 120 V AC | 230 V AC |
|--|----------|----------|
| Maximum power dissipation in no-load condition | < 4 W | < 4 W |
| Power dissipation SLEEP MODE | < 3 W | < 3 W |
| Power loss nominal load max. | < 50 W | < 50 W |

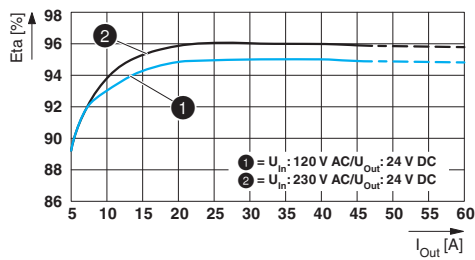
Efficiency

120 V AC

typ. 94.8 %

230 V AC

typ. 95.9 %



Ambient conditions

Ambient temperature (operation) -25 °C ... 70 °C (> 60 °C Derating: 2.5 %/K)



The ambient temperature (operation) refers to UL 508 surrounding air temperature.

Ambient temperature (start-up type tested) -40 °C

Ambient temperature (storage/transport) -40 °C ... 85 °C

Max. permissible relative humidity (operation) ≤ 95 % (at 25 °C, non-condensing)

Installation height ≤ 5000 m (> 2000 m, observe derating)

Vibration (operation) 5 Hz ... 100 Hz resonance search 0.7g, 90 min., resonance frequency 0.7g, 90 min. (in accordance with DNV GL Class A)



In order to achieve the specified vibration resistance, the power supply must be secured in place with two end brackets of type E/AL-NS 35 (1201662).

Shock 18 ms, 30g, in each space direction (according to IEC 60068-2-27)


Degree of pollution 2

Climatic class 3K3 (in acc. with EN 60721)

Overvoltage category
 EN 60950-1 II (≤ 5000 m)
 EN 61010-1 II (≤ 5000 m)
 EN 62477-1 III (≤ 2000 m)

Standards

| | |
|---|---|
| Safety transformers for power supply units | EN 61558-2-16 |
| Electrical safety (of information technology equipment) | IEC 60950-1/VDE 0805 (SELV) |
| Electrical safety (of control and regulation devices) | IEC 61010-1 |
| SELV | IEC 60950-1 (SELV) EN 60204-1 (PELV) |
| Limitation of mains harmonic currents | EN 61000-3-2 |
| Network version/undervoltage | SEMI F47-0706; EN 61000-4-11 |
| Rail applications | EN 50121-3-2 EN 50121-4 EN 50121-5 IEC 62236-3-2 IEC 62236-4 IEC 62236-5 |

 Use in railway applications is possible. Conditions of use and technical data available on request.

| | |
|---|------------------------------------|
| EMC requirements, power plant | IEC 61850-3 EN 61000-6-5 |
| HART FSK Physical Layer Test Specification Compliance | Output voltage U_{Out} compliant |

Approvals

| | |
|--------------|--|
| UL | UL Listed UL 508 UL/C-UL Recognized UL 60950-1 UL ANSI/ISA-12.12.01 Class I, Division 2, Groups A, B, C, D (Hazardous Location) applied for |
| CSA | CAN/CSA-C22.2 No. 60950-1-07 CSA-C22.2 No. 107.1-01 |
| SIQ | BG (type approved) |
| Shipbuilding | DNV GL applied for |

| Electromagnetic compatibility | | |
|---|---|--|
| Noise emission according to EN 61000-6-3 (residential and commercial) and EN 61000-6-4 (industrial) | | |
| CE basic standard | Minimum normative requirements | Higher requirements in practice (covered) |
| Conducted noise emission EN 55016 | EN 61000-6-4 (Class A) | EN 61000-6-3 (Class B) |
| Noise emission EN 55016 | EN 61000-6-4 (Class A) | EN 61000-6-3 (Class B) |
| Harmonic currents EN 61000-3-2 | EN 61000-3-2 (Class A) | EN 61000-3-2 (Class A) |
| Flicker EN 61000-3-3 | not required | EN 61000-3-3 |
| Noise emission for marine approval | Minimum normative requirements of DNV GL | Higher requirements in practice of DNV GL (covered) |
| DNV GL conducted noise emission | Class A Area power distribution | Class A Area power distribution |
| DNV GL noise radiation | Class A Area power distribution | Class B Bridge and deck area |
| Immunity according to EN 61000-6-1 (residential), EN 61000-6-2 (industrial), and EN 61000-6-5 (power station equipment zone), IEC/EN 61850-3 (energy supply) | | |
| CE basic standard | Minimum normative requirements of EN 61000-6-2 (CE) (immunity for industrial environments) | Higher requirements in practice (covered) |
| Electrostatic discharge EN 61000-4-2 | | |
| Housing contact discharge | 4 kV (Test Level 2) | 8 kV (Test Level 4) |
| Housing air discharge | 8 kV (Test Level 3) | 15 kV (Test Level 4) |
| Comments | Criterion B | Criterion A |
| Electromagnetic HF field EN 61000-4-3 | | |
| Frequency range | 80 MHz ... 1 GHz | 80 MHz ... 1 GHz |
| Test field strength | 10 V/m (Test Level 3) | 20 V/m (Test Level 3) |
| Frequency range | 1.4 GHz ... 2 GHz | 1 GHz ... 6 GHz |
| Test field strength | 3 V/m (Test Level 2) | 10 V/m (Test Level 3) |
| Frequency range | 2 GHz ... 2.7 GHz | 1 GHz ... 6 GHz |
| Test field strength | 1 V/m (Test Level 1) | 10 V/m (Test Level 3) |
| Comments | Criterion A | Criterion A |
| Fast transients (burst) EN 61000-4-4 | | |
| Input | 2 kV (Test Level 3 - asymmetrical) | 4 kV (Test Level 4 - asymmetrical) |
| Output | 2 kV (Test Level 3 - asymmetrical) | 4 kV (Test Level 4 - asymmetrical) |
| Signal | 1 kV (Test Level 3 - asymmetrical) | 4 kV (Test Level 4 - asymmetrical) |
| Comments | Criterion B | Criterion A |

Immunity according to EN 61000-6-1 (residential), EN 61000-6-2 (industrial), and EN 61000-6-5 (power station equipment zone), IEC/EN 61850-3 (energy supply)

| CE basic standard | Minimum normative requirements of EN 61000-6-2 (CE) (immunity for industrial environments) | Higher requirements in practice (covered) |
|--|---|---|
| Surge voltage load (surge) EN 61000-4-5 | | |
| Input | 1 kV (Test Level 3 - asymmetrical) 2 kV (Test Level 3 - asymmetrical) | typ. 3 kV (Test Level 4 - symmetrical) typ. 6 kV (Test Level 4 - asymmetrical) |
| Output | 0.5 kV (Test Level 2 - symmetrical) 0.5 kV (Test Level 1 - asymmetrical) | 1 kV (Test Level 3 - symmetrical) 2 kV (Test Level 3 - asymmetrical) |
| Signal | 1 kV (Test Level 2 - asymmetrical) | 4 kV (Test Level 4 - asymmetrical) |
| Comments | Criterion B | Criterion A |
| Conducted interference EN 61000-4-6 | | |
| Input/Output/Signal | asymmetrical | asymmetrical |
| Frequency range | 0.15 MHz ... 80 MHz | 0.15 MHz ... 80 MHz |
| Voltage | 10 V (Test Level 3) | 10 V (Test Level 3) |
| Comments | Criterion A | Criterion A |
| Power frequency magnetic field EN 61000-4-8 | | |
| | 50 Hz , 60 Hz (30 A/m) | 16.7 Hz , 50 Hz , 60 Hz (100 A/m 60 s) |
| | not required | 50 Hz , 60 Hz (1 kA/m , 3 s) |
| | not required | 0 Hz (300 A/m , DC, 60 s) |
| Comments | Criterion A | Criterion A |
| Voltage dips EN 61000-4-11 | | |
| Input voltage (230 V AC , 50 Hz) | | |
| Voltage dip | 70 % , 25 periods (Test Level 2) | 70 % , 0.5 / 1 / 25 / 30 periods (Test Level 2) |
| Comments | Criterion C | Criterion A: 0.5 / 1 / 25 / 30 periods |
| Voltage dip | 40 % , 10 periods (Test Level 2) | 40 % , 5 / 10 / 50 periods (Test Level 2) |
| Comments | Criterion C | Criterion A |
| Voltage dip | 0 % , 1 period (Test Level 2) | 0 % , 0.5 / 1 / 5 / 50 / 250 periods (Test Level 2) |
| Comments | Criterion B | Criterion A: 0.5 / 1 period Criterion B: 5 / 50 / 250 periods |

| Additional basic standard EN 61000-6-5 (immunity in power station), IEC/EN 61850-3 (energy supply) | | |
|--|---|--|
| Basic standard | Minimum normative requirements of EN 61000-6-5 | Higher requirements in practice (covered) |
| Pulse-shape magnetic field EN 61000-4-9 | | |
| | not required | 1000 A/m |
| Comments | none | Criterion A |
| Damped oscillating magnetic field EN 61000-4-10 | | |
| | not required | 100 kHz 110 A/m |
| | not required | 1 MHz 110 A/m |
| Comments | none | Criterion A |
| Attenuated sinusoidal oscillations (ring wave) EN 61000-4-12 | | |
| Input | not required | 2 kV (Test Level 4 - symmetrical) |
| | not required | 4 kV (Test Level 4 - asymmetrical) |
| Comments | none | Criterion A |
| Asymmetrical conducted disturbance variables EN 61000-4-16 | | |
| Input, Output, Signals | 15 Hz ... 150 Hz , 10 V on 1 V 150 Hz ... 1.5 kHz , 1 V 1.5 kHz ... 15 kHz , 1 V on 10 V 15 kHz ... 150 kHz , 10 V (Test Level 3) | 15 Hz ... 150 Hz , 30 V on 3 V 150 Hz ... 1.5 kHz , 3 V 1.5 kHz ... 15 kHz , 3 V on 30 V 15 kHz ... 150 kHz , 30 V (Test Level 4) |
| | 50 Hz , 60 Hz , 10 V (Permanent) 50 Hz , 60 Hz , 100 V (1 s) (Test Level 3) | 16.7 Hz , 50 Hz , 60 Hz , 30 V (Permanent) 150 Hz , 180 Hz , 30 V (Permanent) 16.7 Hz , 50 Hz , 60 Hz , 300 V (1 s) (Test Level 4) |
| Comments | Criterion A | Criterion A |
| Attenuated oscillating wave EN 61000-4-18 | | |
| Input, Output | 1 MHz 1 kV (Test Level 3 - symmetrical) | 100 kHz , 1 MHz , 1 kV (Test Level 3 - symmetrical) |
| | 10 MHz , 1 kV 1 MHz 2.5 kV (Test Level 3 - asymmetrical) | 10 MHz , 1 kV 100 kHz , 1 MHz , 2.5 kV (Test Level 3 - asymmetrical) |
| Signals | 1 MHz , 1 kV (Test Level 3 - symmetrical) | 100 kHz , 1 MHz , 1 kV (Test Level 3 - symmetrical) |
| | 1 MHz , 2.5 kV (Test Level 3 - asymmetrical) | 100 kHz , 1 MHz , 2.5 kV (Test Level 3 - asymmetrical) |
| Comments | Criterion B | Criterion A |

Key

| | |
|-------------|--|
| Criterion A | Normal operating behavior within the specified limits. |
| Criterion B | Temporary impairment to operational behavior that is corrected by the device itself. |
| Criterion C | Temporary adverse effects on the operating behavior, which the device corrects automatically or which can be restored by actuating the operating elements. |

5 Safety and installation notes

Only qualified electricians may install, start up, and operate the device. Observe the national safety and accident prevention regulations.

The specified technical characteristics relate to the factory setting of the standard device.

Configured devices may have different technical characteristics. The device behavior may also differ from the documentation.



CAUTION: Before startup, observe the following

Check the device for external damage. If the device is defective, it must not be used.

The power supply must be switched off from outside according to EN 60950-1 (e.g., via the line protection on the primary side).

Preferably mount the power supply in the normal mounting position.

Ensure that the primary-side and secondary-side wiring of the power supply are the correct size and have sufficient fuse protection.

The power supply is a built-in device. The IP20 degree of protection of the power supply is intended for a clean and dry environment. The power supply is mounted in a control cabinet.

For the connection parameters for wiring the power supply, such as the required stripping length with and without ferrule, refer to the technical data section.

As a safety measure against shock currents, always wire the protective conductor device terminal block to the control cabinet ground connection.

To avoid accidental contact with live parts, always cover the termination area (e.g., installation in the control cabinet).



DANGER: Hazardous voltage

The power supply contains components that have been designed for operation at potentially lethal voltages. The accumulated level of energy can also be high. Never carry out work when mains voltage is present.



CAUTION: Hot surface

Depending on the ambient temperature and load on the power supply, the housing can become hot.



The power supply is maintenance-free. Repairs may only be carried out by the manufacturer. The warranty no longer applies if the housing is opened.



The power supply may only be used for its intended use.



The continuous total output power may not exceed P_N at 60 °C ambient temperature and $P_{Stat. Boost}$ at 40°C ambient temperature. Observe all the maximum output powers for all operating conditions.

6 High-voltage test (HIPOT)

This protection class I power supply is subject to the Low Voltage Directive and is factory tested. During the HIPOT test (high-voltage test), the insulation between the input circuit and output circuit is tested for the prescribed electric strength values, for example. The test voltage in the high-voltage range is applied at the input and output terminal blocks of the power supply. The operating voltage used in normal operation is a lot lower than the test voltage used.



High-voltage tests up to 0.8 kV AC / 1.1 kV DC can be performed as described. For high-voltage tests > 0.8 kV AC / 1.1 kV DC, the gas-filled surge arrester must be disconnected. The test voltage should rise and fall in ramp form. The relevant rise and fall time of the ramp should be at least two seconds.

6.1 High-voltage dielectric test (dielectric strength test)

In order to protect the user, power supplies (as electric components with a direct connection to potentially hazardous voltages) are subject to more stringent safety requirements. For this reason, permanent safe electrical isolation between the hazardous input voltage and the touch-proof output voltage as safety extra-low voltage (SELV) must always be ensured.

In order to ensure permanent safe isolation of the AC input circuit and DC output circuit, high-voltage testing is performed as part of the safety approval process (type test) and manufacturing (routine test).

6.2 High-voltage dielectric test during the manufacturing process

During the manufacturing process for the power supply, a high-voltage test is performed as part of the dielectric test in accordance with the specifications of IEC/UL/EN 60950-1. The high-voltage test is performed with a test voltage of at least 1.5 kV AC / 2.2 kV DC or higher. Routine manufacturing tests are inspected regularly by a certification body.

6.3 High-voltage dielectric test performed by the customer

Apart from routine and type tests to guarantee electrical safety, the end user does not have to perform another high-voltage test on the power supply as an individual component. According to EN 60204-1 (Safety of machinery - Electrical equipment of machines) the power supply can be disconnected during the high-voltage test and only installed once the high-voltage test has been completed.

6.3.1 Performing high-voltage testing

If high-voltage testing of the control cabinet or the power supply as a stand-alone component is planned during final inspection and testing, the following features must be observed.

- The power supply wiring must be implemented as shown in the wiring diagram.
- The maximum permissible test voltages must not be exceeded.

Avoid unnecessary loading or damage to the power supply due to excessive test voltages.



For the relevant applicable test voltages and insulation distances, refer to the corresponding table (see technical data: electric strength of the insulation section).

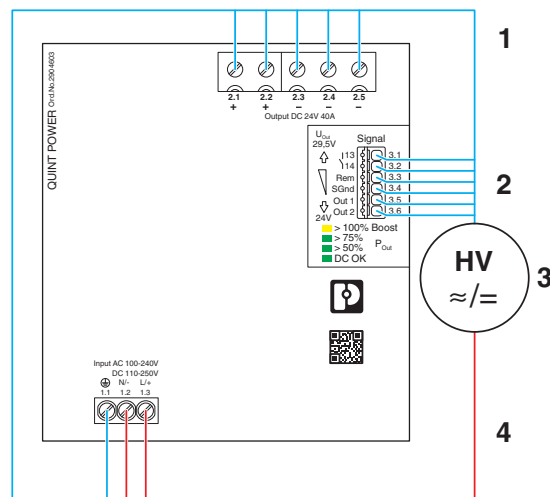


Figure 1 Potential-related wiring for the high-voltage test

Key

| No. | Designation | Color coding | Potential levels |
|-----|---------------------|--------------|------------------|
| 1 | DC output circuit | Blue | Potential 1 |
| 2 | Signal contacts | Blue | Potential 2 |
| 3 | High-voltage tester | -- | -- |
| 4 | AC input circuit | Red | Potential 2 |

6.3.2 Disconnecting the gas discharge tube

The built-in gas discharge tube inside the device ensures that the power supply is effectively protected against asymmetrical disturbance variables (e.g., EN 61000-4-5).

Each surge voltage test represents a very high load for the power supply. Therefore avoid unnecessary loading or damage to the power supply due to excessive test voltages. If necessary, the gas discharge tube inside the device can be disconnected in order to use higher test voltages. Following successful completion of testing, please reconnect the gas-discharge tube.

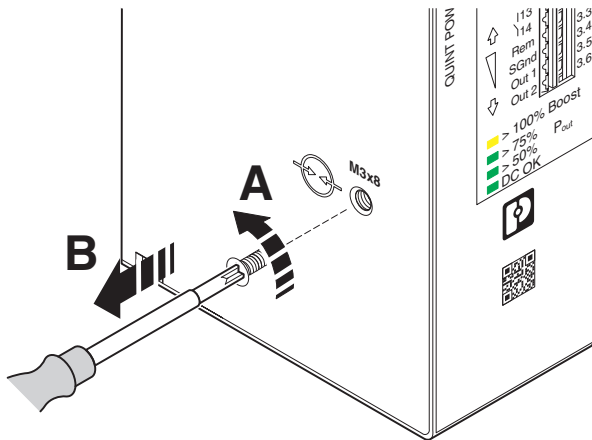


Figure 2 Disconnect gas discharge tube

To disconnect the gas discharge tube, proceed as follows:

1. Remove power from the unit.
2. Unscrew the Phillips head screw completely and keep the gas discharge tube screw in a safe place. The gas-discharge tube is now disconnected and is no longer functional.
3. Perform the surge voltage test on the power supply.
4. Following successful high-voltage testing, screw the gas discharge tube screw fully back into the power supply.



DANGER: Risk of electric shock or damage to the power supply due to using the wrong gas discharge tube screw

To connect the gas-filled surge arrester, only use the gas-filled surge arrester screw that was originally installed in the power supply.

7 Structure of the power supply

The fanless convection-cooled power supply can be snapped onto all DIN rails according to EN 60715.

7.1 Function elements

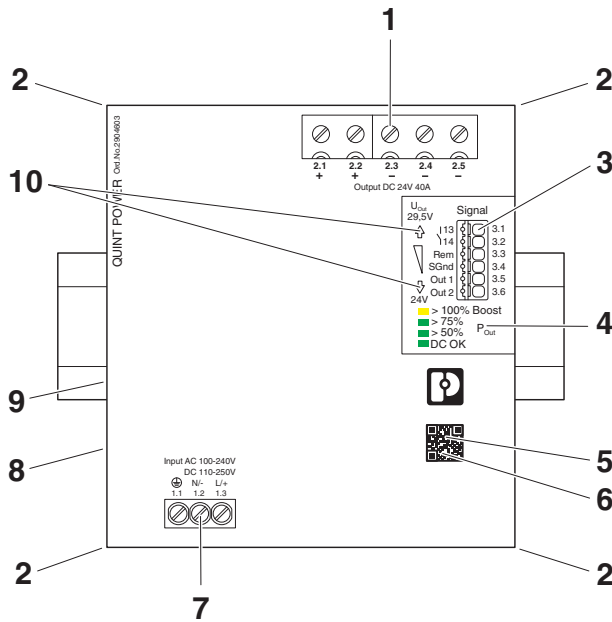


Figure 3 Operating and indication elements

Key

| No. | Designation |
|-----|--|
| 1 | DC output voltage connection terminal blocks |
| 2 | Accommodation for cable binders |
| 3 | Signaling connection terminal blocks |
| 4 | Status and diagnostics indicators |
| 5 | Position NFC interface (Near Field Communication) |
| 6 | QR code web link |
| 7 | AC input voltage connection terminal blocks |
| 8 | Gas discharge tube for surge protection (left side of housing) |
| 9 | Universal DIN rail adapter (rear of housing) |
| 10 | Output voltage button ↓(-) / ↑(+) |

7.2 Device dimensions

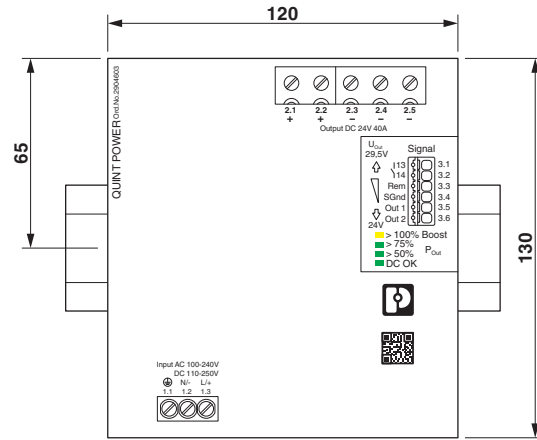


Figure 4 Device dimensions (dimensions in mm)

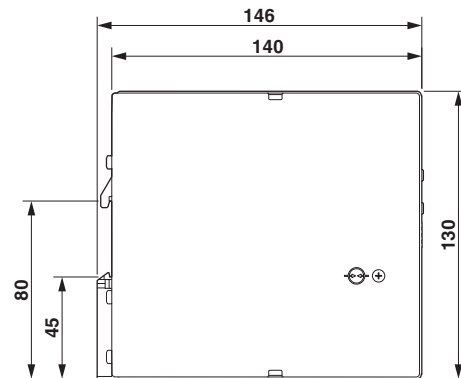


Figure 5 Device dimensions (dimensions in mm)

7.3 Keep-out areas

| Nominal output capacity | Spacing [mm] | | |
|-------------------------|--------------|----|----|
| | a | b | c |
| < 50 % | 0 | 40 | 20 |
| ≥ 50 % | 5 | 50 | 50 |



If adjacent components are active and the nominal output power ≥ 50%, there must be lateral spacing of 15 mm.

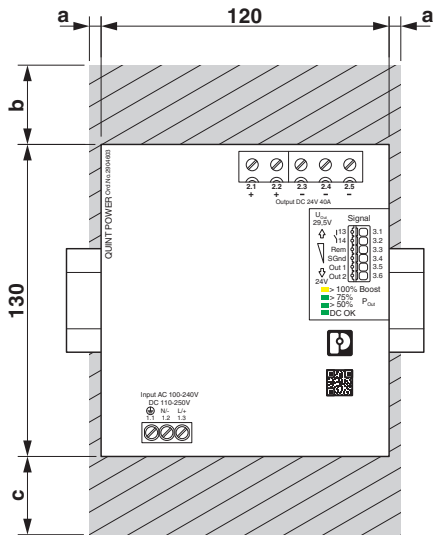


Figure 6 Device dimensions and minimum keep-out areas (in mm)

7.4 Block diagram

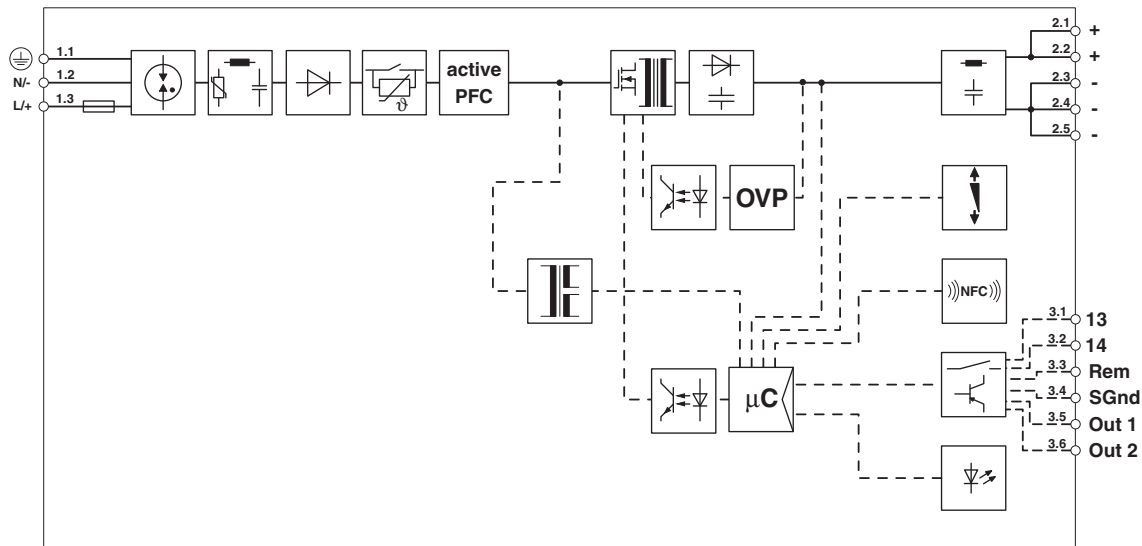


Figure 7 Block diagram

Key

| Symbol | Designation |
|--------|--|
| | Surge protection (gas discharge tube) |
| | Surge protection (varistor) with filter |
| | Bridge rectifier |
| | Inrush current limitation |
| | Power factor correction (PFC) |
| | Switching transistor and main transmitter (electrically isolating) |
| | Secondary rectification and smoothing |
| | Filter |
| | Auxiliary converter (electrically isolating) |

| Symbol | Designation |
|--------|--|
| | Optocoupler (electrically isolating) |
| | Additional regulatory protection against surge voltage |
| | Relay contact and signal contacts |
| | Microcontroller |
| | Passive NFC interface (Near Field Communication) |
| | Output voltage button ↓(-) / ↑(+) |
| | Signal/display LEDs (P _{Out} , DC OK) |

8 Mounting/removing the power supply

8.1 Mounting the power supply unit

Proceed as follows to mount the power supply:

1. In the normal mounting position the power supply is mounted on the DIN rail from above. Make sure that the universal DIN rail adapter is in the correct position behind the DIN rail (A).
2. Then press the power supply down until the universal DIN rail adapter audibly latches into place (B).
3. Check that the power supply is securely attached to the DIN rail.

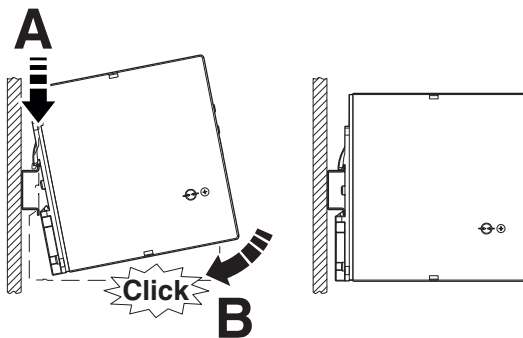


Figure 8 Snapping the power supply onto the DIN rail

8.2 Removing the power supply unit

Proceed as follows to remove the power supply:

1. Take a suitable screwdriver and insert this into the lock hole on the universal DIN rail adapter (A).
2. Release the lock by lifting the screwdriver (B).
3. Carefully swivel the power supply forward (C) so that the lock slides back into the starting position.
4. Then separate the power supply from the DIN rail (D).

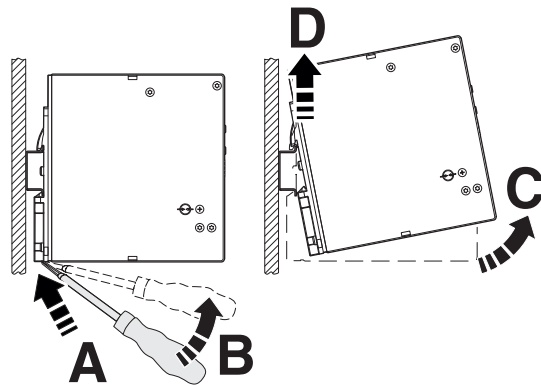


Figure 9 Removing the power supply from the DIN rail

8.3 Retrofitting the universal DIN rail adapter

For installation in horizontal terminal boxes it is possible to mount the power supply at a 90° angle to the DIN rail. No additional mounting material is required.



Use the Torx screws provided to attach the universal DIN rail adapter to the side of the power supply.

8.3.1 Disassembling the universal DIN rail adapter

Proceed as follows to disassemble the universal DIN rail adapter that comes pre-mounted:

1. Remove the screws for the universal DIN rail adapter using a suitable screwdriver (Torx 10).
2. Separate the universal DIN rail adapter from the rear of the power supply.

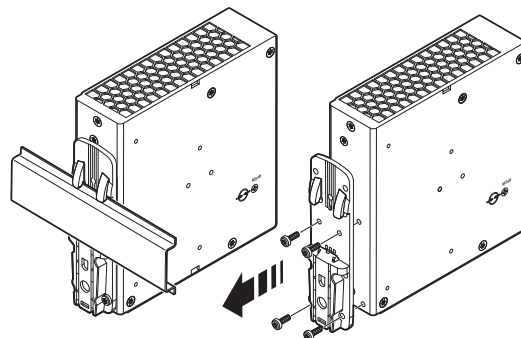


Figure 10 Disassembling the universal DIN rail adapter

8.3.2 Mounting the universal DIN rail adapter

To mount the universal DIN rail adapter on the left side of the device, proceed as follows:

1. Position the universal DIN rail adapter on the left side of the housing so that the mounting holes are congruent with the hole pattern for the mounting holes.
2. Insert the Torx screws that were removed earlier into the appropriate hole pattern on the universal DIN rail adapter so that the necessary drill holes on the power supply can be accessed.
3. Screw the universal DIN rail adapter onto the power supply.



The maximum tightening torque of the Torx screw (Torx® T10) is 0.7 Nm.

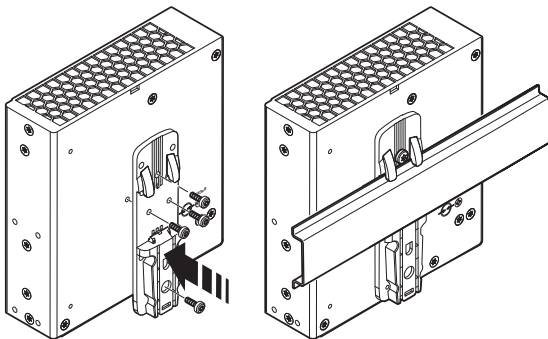


Figure 11 Mounting the universal DIN rail adapter

8.4 Retrofitting the universal wall adapter

The UWA 182/52 universal wall adapter (Order No. 2938235) or UWA 130 universal wall adapter (Order No. 2901664) is used to attach the power supply directly to the mounting surface.

The use of universal wall adapters is recommended under extreme ambient conditions, e.g., strong vibrations. Thanks to the tight screw connection between the power supply and the universal wall adapter or the actual mounting surface, an extremely high level of mechanical stability is ensured.



The power supply is attached to the UWA 182 or UWA 130 universal wall adapter by means of the Torx screws of the universal DIN rail adapter.

8.4.1 Mounting the UWA 182/52 universal wall adapter

Proceed as follows to disassemble the universal DIN rail adapter that comes pre-mounted:

1. Remove the screws for the universal DIN rail adapter using a suitable screwdriver (Torx 10).
2. Separate the universal DIN rail adapter from the rear of the power supply.
3. Position the universal wall adapter in such a way that the keyholes or oval tapers face up. The mounting surface for the power supply is the raised section of the universal wall adapter.
4. Place the power supply on the universal wall adapter in the normal mounting position (input voltage connection terminal blocks below).
5. Insert the Torx screws into the appropriate hole pattern on the universal wall adapter so that the necessary mounting holes on the power supply can be accessed.
6. Screw the universal wall adapter onto the power supply.

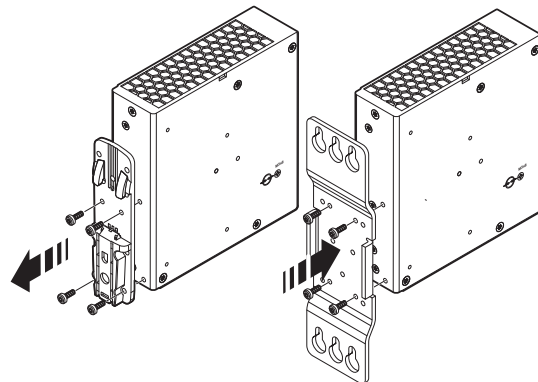


Figure 12 Mounting the UWA 182/52 universal wall adapter



The maximum tightening torque of the Torx screw (Torx® T10) is 0.7 Nm.



Make sure you use suitable mounting material when attaching to the mounting surface.

8.4.2 Mounting the UWA 130 2-piece universal wall adapter

Proceed as follows to disassemble the universal DIN rail adapter that comes pre-mounted:

1. Remove the screws for the universal DIN rail adapter using a suitable screwdriver (Torx 10).
2. Separate the universal DIN rail adapter from the rear of the power supply.
3. Position the universal wall adapter. The mounting surface for the power supply is the raised section of the universal wall adapter.
4. Place the power supply on the universal wall adapter in the normal mounting position (input voltage connection terminal blocks below).
5. Insert the Torx screws into the appropriate hole pattern on the universal wall adapter so that the necessary mounting holes in the side flanges of the power supply can be accessed.
6. Screw the two-piece universal wall adapter onto the power supply.

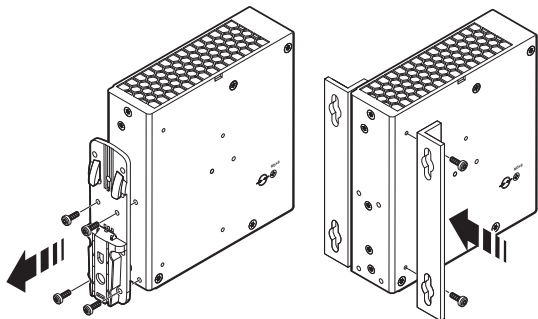


Figure 13 Mounting the UWA 130 universal wall adapter

8.5 Fix connection wiring to the power supply

Two receptacles for the bundled attachment of the connection wiring are integrated in the left and right housing panel. Use cable binders to secure the connection wiring (optional PKB 140X3,6 - Order No. 1005460).

Proceed as follows to secure the connection wiring:

- Wire the power supply with sufficient connection reserve (input terminal blocks, output terminal blocks, signal terminal blocks)
- Bundle and set up the connection wiring so that the cooling grilles on the top and bottom of the housing are covered as little as possible.
- Thread the cable binders into the necessary receptacles for the cable binders.

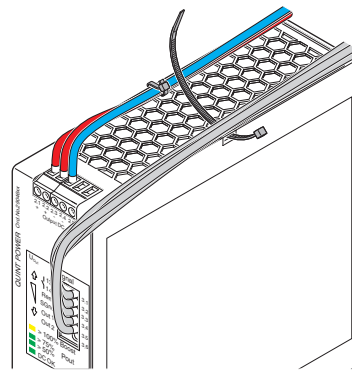


Figure 14 Lay and align connection wiring

- Secure the connection wiring with the cable binders. Make sure that the connection wiring is attached safely and securely without damaging the connection wiring.

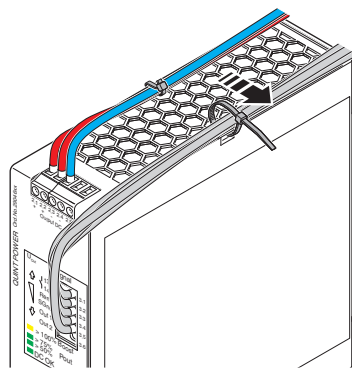


Figure 15 Secure connection wiring with cable binder

- Shorten the excess length of the cable ties.
- Then check again that the connection wiring is properly secured.

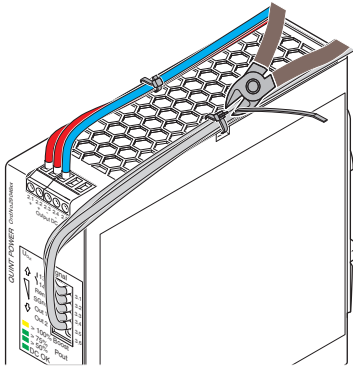


Figure 16 Shorten protruding ends of the cable binder



NOTE: Mechanical damage to the connection wiring caused by friction
 In extreme ambient conditions, e.g., strong vibrations, protect the connection wiring against mechanical damage using additional insulation material. The additional insulation material for protecting the connection wiring is limited to the area where the cable binders are attached.

9 Device connection terminal blocks

The AC input and DC output terminal blocks on the front of the power supply feature screw connection technology. The signal level is wired without tools by means of Push-in connection technology.



For the necessary connection parameters for the connection terminal blocks, refer to the technical data section.

9.1 Input

The power supply is operated on single-phase AC systems or two outer conductors of three-phase systems. The power supply is connected on the primary side via the INPUT L/N/⊕ connection terminal blocks.



The power supply is approved for connection to TN, TT, and IT power grids with a maximum phase-to-phase voltage of 240 V AC.

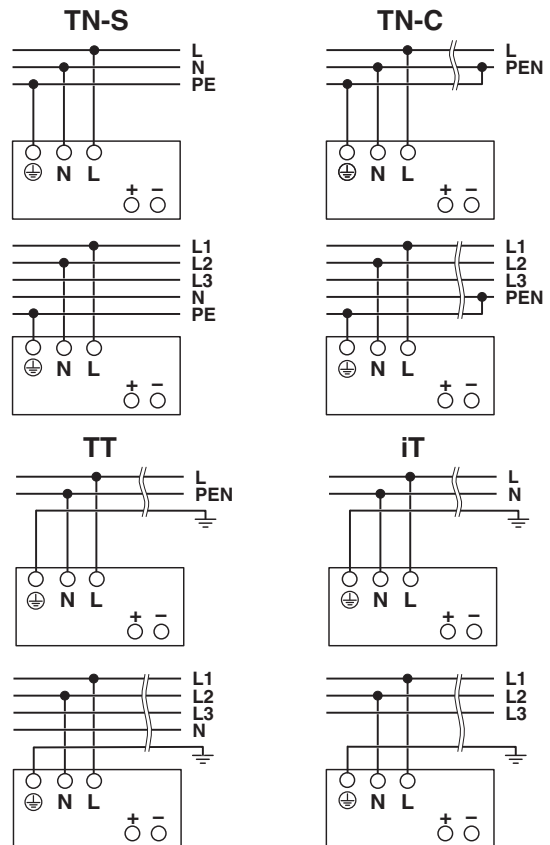


Figure 17 Network types

9.2 Protection of the primary side

Installation of the device must correspond to EN 60950-1 regulations. It must be possible to switch off the device using a suitable disconnecting device outside the power supply. The line protection on the primary side is suitable for this (see technical data section).



DANGER: Hazardous voltage

An all-pos. fuse must be present for operation on two outer conductors of a three-phase system.

Protection for AC supply

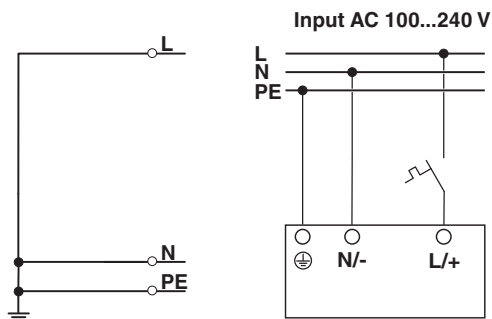


Figure 18 Pin assignment for AC supply voltage

Protection for DC supply

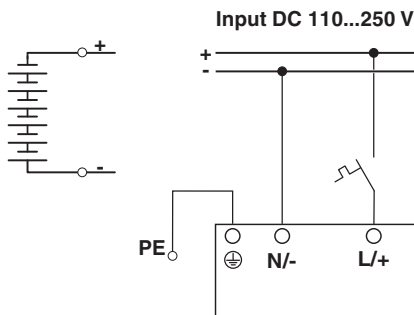


Figure 19 Pin assignment for DC supply voltage

DC applications require upstream installation of a fuse that is permitted for the operating voltage.

9.3 Output

By default, the power supply is pre-set to a nominal output voltage of 24 V DC.

The output voltage is adjusted via the two arrow keys ↓(-) and ↑(+) on the front of the power supply.

When you press the arrow key once briefly, the output voltage is reduced ↓(-) or increased ↑(+) by 3 mV. When you press the arrow key for longer, the voltage is adjusted in 100 mV increments.

9.4 Protection of the secondary side

The power supply is electronically short-circuit-proof and no-load-proof. In the event of an error, the output voltage is limited






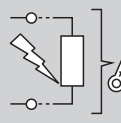



If sufficiently long connecting cables are used, fuse protection does not have to be provided for each individual load.

If each load is protected separately with its own protective device, the selective shutdown in the event of a fault enables the system to remain operational.

10 Output characteristic curves

This section describes the various output characteristic curves together with their areas of application for customization to your specific application. The U/I Advanced characteristic curve is set by default.

| |  |  |  |  |  |  |  |
|---------------|---|---|---|---|---|---|---|
| Application | Normal load | System extension | Loads with high inrush current | Energy storage charging | Selective tripping of fuses | Keeps temperatures low in the event of faults | Short circuit, non-fused |
| Your benefits | Reliable power supply | A stable 24 V, even in the event of a sustained overload | No over-dimensioned power supply unit required | Fast charging | Parallel loads continue working | Low thermal stress in the event of faults | Enables configuration without fuse |

Characteristics

| U/I Advanced | ✓ | ✓ | ✓ | ✓ | ✓ | ✓ | — |
|--------------|---|---|---|---|---|---|---|
| Smart HICCUP | ✓ | ✓ | ✓ | ✓ | — | ✓ | — |
| FUSE MODE | ✓ | ✓ | — | — | — | ✓ | ✓ |

| Symbol | Designation |
|--------|----------------------------------|
| ✓ | Suitable for the application |
| — | Not suitable for the application |

10.1 U/I Advanced output characteristic curve

The preset U/I Advanced output characteristic curve is optimized for the following applications:

- For selective tripping of standard circuit breakers (SFB technology). The power supply supplies up to 6 times the nominal current for 15 ms. Loads connected in parallel continue working.
- When supplying loads with high switch-on currents, such as motors. The dynamic boost of the power supply supplies up to 200% of the nominal power for 5 s. This ensures that sufficient reserve energy is available; overdimensioning of the power supply is not necessary.
- For system extension. With the static boost, up to 125% of the nominal output power is available for a sustained period (up to 40°C).
- For fast energy storage charging (e.g., of batteries) to supply a wide range of loads. The power supply operates in the nominal operating range. Energy supply to the load is ensured.

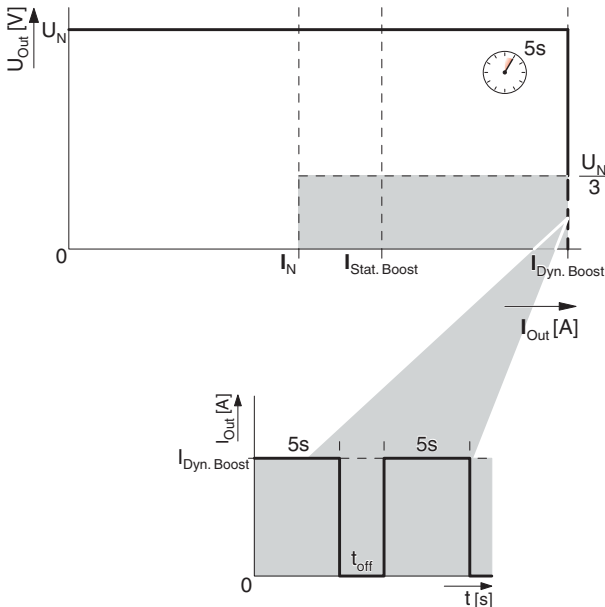


Figure 20 U/I Advanced output characteristic curve

10.2 Smart HICCUP output characteristic curve

The SMART HICCUP output characteristic curve keeps the thermal load of the connecting cables at a low level in the event of a sustained overload. If loads are not protected or are protected in a way that is not permitted, the loads are supplied for 2 s. The DC output of the power supply is then switched off for 8 s. This procedure is repeated until the cause of the overload has been remedied.

The preset Smart HICCUP output characteristic curve is optimized for the following applications:

- If only a low short-circuit current is permitted.
- If following an overload or short circuit the output voltage should be made available again automatically.

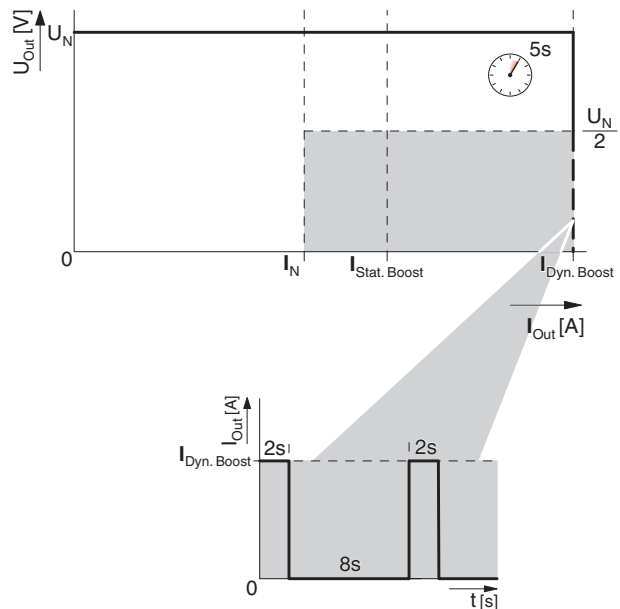


Figure 21 Smart HICCUP output characteristic curve

10.3 FUSE MODE output characteristic curve

In the event of an overload (e.g., short circuit), the power supply switches off the DC output permanently. The value of the switch-off threshold and the time period for which it may be exceeded can be freely selected. The power supply is restarted via the remote contact. As an option, the power supply can be switched on by switching the supply voltage on the primary side off and on.

Selecting the FUSE MODE output characteristic curve sets the following default values.

- $t_{\text{Fuse}} = 100 \text{ ms}$
- $I_{\text{Fuse}} = I_{\text{N}}$

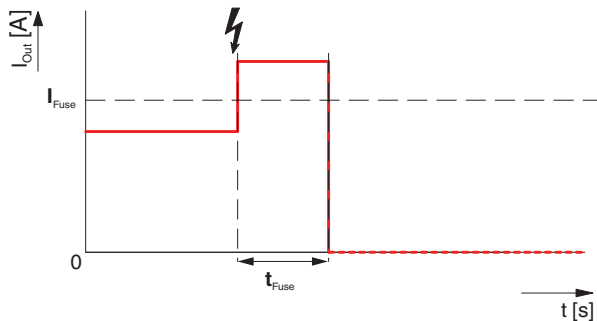


Figure 22 FUSE MODE output characteristic curve

11 Configuring the power supply

With the fourth generation of the QUINT POWER power supply, it is now possible for the first time to adapt the behavior of the power supply. In addition to setting the output voltage and selecting the output characteristic curves, you can configure signal outputs Out 1, Out 2, and floating signal contact 13/14, for example. Configuration of the remote input for controlling the power supply or specification of signal options and signal thresholds also extend the range of possible applications.

The power supply is configured via the device's internal NFC (near field communication) interface. This is located behind the QR code on the front.



The power supply behaves like a passive NFC tag. An auxiliary power source is required in order to supply the power supply with configuration data.

11.1 Configuration with PC software

In order to configure the power supply via the NFC interface, the following hardware and software requirements must be met:

- PC or notebook (as of Windows 7, Microsoft.Net Framework 4.5, USB 2.0 interface, 50 MB hard disk capacity, QUINT POWER software).
- Programming adapter: TWN4 MIFARE NFC USB ADAPTER (Order No. 2909681) is plugged into the USB interface.
- Programming software: the QUINT POWER software has been successfully installed.

11.2 Configuring the power supply

To configure the power supply, proceed as follows:

- Before you can configure the power supply, it should either be disconnected from the supply voltage or switched to SLEEP MODE.
- To switch the power supply to SLEEP MODE, use one of the external circuits. The following connection versions are possible between the Rem (remote input) and SGnd (signal ground) connection terminal blocks.

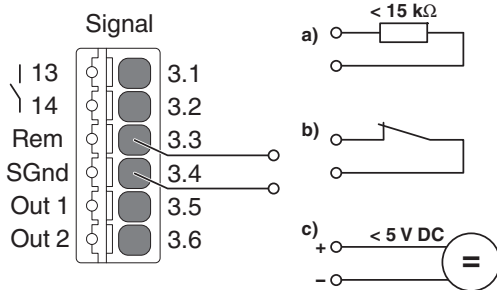


Figure 23 SLEEP MODE connection versions

- Hold the USB-PROG-ADAPTER in front of the mounted power supply such that the NFC antenna symbol is over the QR code.

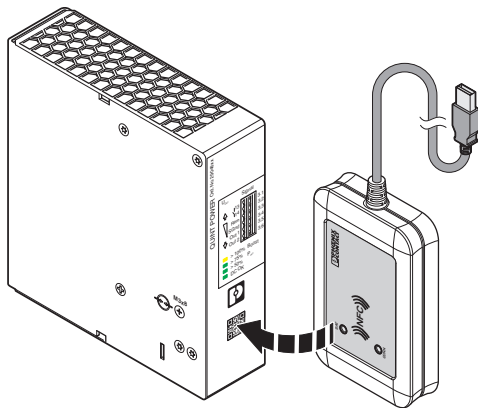


Figure 24 Configuration of the power supply

- In the programming interface of the QUINT POWER software, press the [Read] button. The current device and configuration data for the power supply is read and displayed.



If a connection cannot be established between the USB-PROG-ADAPTER and the power supply, more detailed information can be found in the user manual for the QUINT POWER software.



For information regarding the configuration of the power supply, such as selecting the characteristic curve and output parameters, refer to the user manual for the QUINT POWER software.

11.3 Configuration with NFC-capable mobile terminal device

The QUINT POWER app enables you to conveniently configure the power supply using a mobile terminal device, such as a smartphone.

In order to configure the power supply via the NFC interface, the following hardware and software requirements must be met:

- NFC-capable mobile terminal device with Android operating system as of Version 4.1.x (Jelly Bean)
- QUINT POWER app (Google Play Store)



For information regarding the configuration of the power supply, such as selecting the characteristic curve and output parameters, please refer to the QUINT POWER app.

11.4 Ordering a configured power supply

Customer-specified QUINT POWER power supplies are ordered as a KMAT item (configurable material) and are configured during the production process in the factory. The power supply is therefore supplied ready to connect for your specific application.



You can type in the the web code phoenixcontact.net/webcode/#0852 to configure and order your power supply.

12 Boost currents

The power supply provides the static boost ($I_{Stat. Boost}$) for a sustained load supply or the time-limited dynamic boost ($I_{Dyn. Boost}$).

12.1 Static Boost

For system expansion purposes, the sustained static boost ($I_{Stat. Boost}$) supports the load supply with up to 112% of the nominal current of the power supply. The static boost is available at an ambient temperature of up to 40°C.

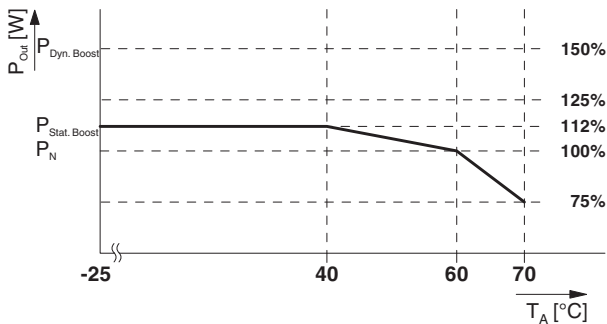


Figure 25 Performance characteristic in static boost

12.2 Dynamic Boost

Dynamic boost ($I_{Dyn. Boost}$) delivers up to 150 % of the power supply nominal current to supply high loads. This temporary power supply to the load lasts a maximum of 5 s at an ambient temperature of up to 60 °C. The energy supplied adaptively for the load supply and the recovery time (t_{Pause}) are calculated based on the specific load situation using algorithms (see recovery time tables).

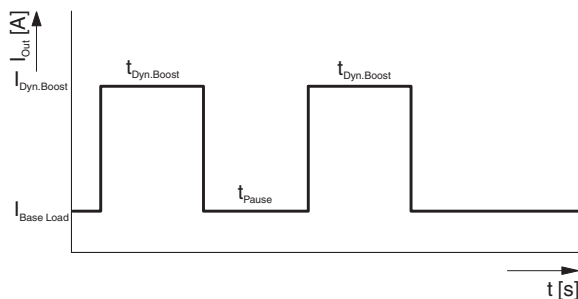


Figure 26 Basic curve of the dynamic boost process

Use the following tables to determine the required recovery time (t_{Pause}) at the maximum dynamic boost current ($I_{Dyn. Boost}$) based on the following values:

- $I_{Base Load}$
- Duration of the boost current ($t_{Dyn. Boost}$)
- Ambient temperature (40 °C or 60 °C)



If a current that is lower than the maximum available dynamic boost current ($I_{Dyn. Boost}$) is required for the same period, the recovery time may (t_{Pause}) decrease.

12.2.1 Recovery times at an ambient temperature of 40 °C

| $I_{Base Load}$ [A] | $I_{Dyn. Boost}$ [A] | $t_{Dyn. Boost}$ [s] | | | | | t_{Pause} [s] |
|---------------------|----------------------|----------------------|-----|-----|----|----|-----------------|
| | | 1 | 2 | 3 | 4 | 5 | |
| 0 | 60 | 0,5 | 2,0 | 3,5 | 5 | 7 | |
| 10 | 60 | 1,0 | 2,5 | 4 | 6 | 7 | |
| 20 | 60 | 1,5 | 3 | 4 | 6 | 8 | |
| 30 | 60 | 2,0 | 4 | 5 | 7 | 9 | |
| 40 | 60 | 3,0 | 6 | 9 | 13 | 16 | |
| 45 | 60 | 11 | 22 | 33 | 44 | 56 | |

Figure 27 Required recovery times at $\leq 40^\circ\text{C}$

12.2.2 Recovery times at an ambient temperature of 60 °C

| $I_{Base Load}$ [A] | $I_{Dyn. Boost}$ [A] | $t_{Dyn. Boost}$ [s] | | | | | t_{Pause} [s] |
|---------------------|----------------------|----------------------|-----|-----|----|----|-----------------|
| | | 1 | 2 | 3 | 4 | 5 | |
| 0 | 60 | 1,5 | 2,5 | 4,5 | 6 | 7 | |
| 10 | 60 | 1,5 | 3 | 5 | 7 | 8 | |
| 20 | 60 | 2 | 4 | 6 | 8 | 10 | |
| 30 | 60 | 3 | 6 | 8 | 11 | 14 | |
| 40 | 60 | 19 | 37 | 56 | 74 | 92 | |

Figure 28 Required recovery times at $\leq 60^\circ\text{C}$

12.2.3 Example: Determining the recovery time (t_{Pause})

At an output current (I_{Base Load}) of 20 A, the dynamic output current (I_{Dyn. Boost}) of 60 A increases for 2 s (t_{Dyn. Boost}). After a recovery time (t_{Pause}) of 3 s, the dynamic boost is available once again.

| I _{Base Load} [A] | I _{Dyn. Boost} [A] | t _{Dyn. Boost} [s] | | | | | t _{Pause} [s] |
|----------------------------|-----------------------------|-----------------------------|-----|-----|----|----|------------------------|
| | | 1 | 2 | 3 | 4 | 5 | |
| 0 | 60 | 0,5 | 2,0 | 3,5 | 5 | 7 | 3 |
| 10 | 60 | 1,0 | 2,5 | 4 | 6 | 7 | |
| 20 | 60 | 1,5 | 3 | 4 | 6 | 8 | |
| 30 | 60 | 2,0 | 4 | 5 | 7 | 9 | |
| 40 | 60 | 3,0 | 6 | 9 | 13 | 16 | |
| 45 | 60 | 11 | 22 | 33 | 44 | 56 | |

Figure 29 Example recovery time for ≤ 40°C

13 SFB Technology

SFB Technology (selective fuse breaking) can be used to quickly and reliably trip miniature circuit breakers and fuses connected on the secondary side. In the event of a short circuit on the secondary side, the power supply supplies up to 6 times the nominal current for 15 ms. The faulty current path is switched off selectively.

Loads that are connected in parallel are still supplied with energy. Operation of these system parts is ensured. In order to always enable the reliable tripping of circuit breakers and fuses, certain framework conditions must be observed (see SFB configuration section).



The U/I Advanced output characteristic curve supports SFB Technology.

13.1 Tripping circuit breakers

The circuit breaker is tripped by the high SFB current of the power supply, typically within 3 to 5 ms. As a result, voltage dips at loads that are connected in parallel are avoided.

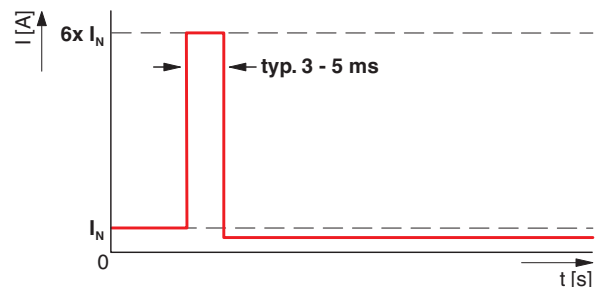


Figure 30 SFB pulse trips circuit breakers

13.2 Tripping a fuse

Fuses are tripped by melting the predetermined breaking point inside the fuse capsule. The tripping characteristic of the fuse is described by the melting integral (I²t). A high current is crucial in order to achieve a very short tripping time.

13.3 SFB configuration

Observe the following framework conditions for determining the maximum distance between the power supply and load:

- The performance class of the power supply
- The cross section of the connecting cable
- The tripping characteristic of the fuse component

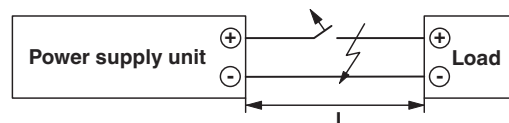


Figure 31 Schematic diagram of the maximum cable length

13.4 Maximum distance between the power supply and load

The distances given in the table are worst-case values and therefore cover the entire tolerance range for the magnetic tripping of circuit breakers. The possible distances are often greater in practice.

13.4.1 Thermomagnetic device circuit breaker, type: Phoenix Contact CB TM1 SFB

| Maximum distance l [m] with device circuit breaker | | Conductor cross section | | | | | | | |
|--|------------------|-------------------------|------|-----|-----|-----|-------|-------|-------|
| | | A [mm ²] | 0.75 | 1.0 | 1.5 | 2.5 | 4.0 | 6.0 | 10.0 |
| | | AWG | 19 | 18 | 16 | 14 | 12 | 10 | 8 |
| Phoenix Contact | CB TM1 1A SFB P | | 27 | 36 | 54 | 91 | < 130 | < 200 | < 300 |
| | CB TM1 2A SFB P | | 18 | 25 | 37 | 63 | < 100 | < 140 | < 220 |
| | CB TM1 3A SFB P | | 13 | 18 | 27 | 46 | 73 | < 100 | < 160 |
| | CB TM1 4A SFB P | | 10 | 14 | 21 | 35 | 57 | 86 | < 140 |
| | CB TM1 5A SFB P | | 8 | 11 | 17 | 29 | 46 | 70 | < 100 |
| | CB TM1 6A SFB P | | 7 | 9 | 14 | 24 | 39 | 58 | 97 |
| | CB TM1 8A SFB P | | -- | 7 | 11 | 19 | 31 | 46 | 78 |
| | CB TM1 10A SFB P | | -- | 5 | 7 | 12 | 20 | 30 | 51 |
| | CB TM1 12A SFB P | | -- | -- | 5 | 9 | 14 | 21 | 36 |
| | CB TM1 16A SFB P | | -- | -- | 3 | 5 | 8 | 12 | 20 |

The cable lengths determined are based on the following parameters:

- Tripping: magnetic
- DC correction factor (0 Hz): Phoenix Contact = 1,0
- Characteristics: C
Characteristic C (10 times the rated current) x correction factor
- Ambient temperature: +20 °C
- Internal resistance R_i of the device circuit breaker: taken into consideration
- Comments: In addition to the short-circuit current, the power supply unit also supplies half the nominal current for load paths connected in parallel.

13.4.2 Thermomagnetic circuit breaker, type: Siemens 5SY, ABB S200

| Maximum distance l [m] with circuit breaker | | Conductor cross section | | | | | | | |
|---|------|-------------------------|------|------|-----|-----|-----|-----|------|
| | | A [mm ²] | 0.75 | 1.0 | 1.5 | 2.5 | 4.0 | 6.0 | 10.0 |
| | | AWG | 18 | (17) | 16 | 14 | 12 | 10 | 8 |
| Siemens 5SY | A1 | | 78 | 105 | 157 | 263 | 420 | 631 | 1052 |
| | A1.6 | | 58 | 77 | 116 | 194 | 311 | 467 | 779 |
| | A2 | | 49 | 65 | 98 | 164 | 262 | 394 | 657 |
| | A3 | | 35 | 47 | 71 | 118 | 190 | 285 | 475 |
| | A4 | | 27 | 36 | 54 | 90 | 144 | 217 | 362 |
| | A6 | | 18 | 25 | 37 | 62 | 100 | 150 | 250 |
| | A8 | | 14 | 19 | 28 | 48 | 76 | 115 | 192 |
| | A10 | | 11 | 15 | 23 | 38 | 61 | 92 | 154 |
| | A13 | | 8 | 11 | 17 | 29 | 47 | 71 | 119 |
| | A16 | | 7 | 9 | 14 | 24 | 39 | 58 | 97 |
| | A20 | | 5 | 7 | 11 | 19 | 31 | 46 | 78 |
| | A25 | | 4 | 5 | 8 | 13 | 21 | 32 | 53 |
| | A32 | | 2 | 3 | 5 | 8 | 13 | 20 | 33 |
| | A40 | | 1 | 2 | 3 | 5 | 8 | 13 | 22 |
| | B2 | | 28 | 37 | 56 | 93 | 149 | 224 | 374 |
| | B4 | | 16 | 21 | 32 | 53 | 85 | 128 | 214 |
| | B6 | | 10 | 14 | 21 | 36 | 57 | 86 | 144 |
| | B10 | | 6 | 9 | 13 | 23 | 36 | 55 | 92 |
| | B13 | | 5 | 6 | 10 | 17 | 27 | 41 | 68 |
| | B16 | | 3 | 4 | 7 | 11 | 18 | 28 | 47 |
| | B20 | | 2 | 3 | 4 | 7 | 12 | 18 | 30 |
| | B25 | | 1 | 2 | 3 | 5 | 8 | 12 | 20 |
| | C1 | | 10 | 14 | 21 | 35 | 56 | 84 | 141 |
| | C1.6 | | 12 | 17 | 25 | 42 | 68 | 102 | 171 |
| | C2 | | 11 | 15 | 23 | 39 | 62 | 94 | 157 |
| | C3 | | 9 | 12 | 18 | 30 | 48 | 72 | 121 |
| | C4 | | 7 | 9 | 14 | 24 | 38 | 58 | 97 |
| | C6 | | 5 | 6 | 10 | 16 | 27 | 40 | 67 |
| | C8 | | 3 | 4 | 6 | 11 | 17 | 26 | 44 |
| | C10 | | 2 | 2 | 4 | 7 | 11 | 17 | 29 |
| | C13 | | 1 | 1 | 2 | 4 | 6 | 10 | 17 |

| Maximum distance l [m] with circuit breaker | | Conductor cross section | | | | | | | |
|---|------|-------------------------|------|------|-----|-----|-----|-----|------|
| | | A [mm ²] | 0.75 | 1.0 | 1.5 | 2.5 | 4.0 | 6.0 | 10.0 |
| | | AWG | 18 | (17) | 16 | 14 | 12 | 10 | 8 |
| ABB S200 | B6 | | 10 | 13 | 20 | 33 | 53 | 80 | 133 |
| | B8 | | 8 | 10 | 16 | 26 | 43 | 64 | 107 |
| | B10 | | 6 | 8 | 12 | 21 | 34 | 51 | 85 |
| | B13 | | 4 | 5 | 8 | 14 | 23 | 35 | 59 |
| | B16 | | 3 | 4 | 6 | 10 | 16 | 24 | 41 |
| | B20 | | 1 | 2 | 3 | 6 | 10 | 15 | 26 |
| | B25 | | 1 | 1 | 2 | 4 | 6 | 10 | 17 |
| | C1 | | 3 | 4 | 6 | 11 | 17 | 26 | 44 |
| | C1.6 | | 7 | 10 | 15 | 25 | 41 | 62 | 103 |
| | C2 | | 7 | 9 | 14 | 23 | 38 | 57 | 95 |
| | C3 | | 8 | 10 | 16 | 26 | 42 | 64 | 107 |
| | C4 | | 6 | 8 | 12 | 20 | 32 | 48 | 81 |
| | C6 | | 4 | 5 | 8 | 14 | 23 | 34 | 57 |
| | C8 | | 2 | 3 | 5 | 9 | 15 | 23 | 38 |
| | C10 | | 1 | 2 | 3 | 6 | 9 | 14 | 24 |
| | C13 | | 1 | 1 | 2 | 3 | 5 | 8 | 13 |
| | Z1 | | 64 | 85 | 128 | 214 | 343 | 514 | 857 |
| | Z1.6 | | 46 | 62 | 93 | 156 | 250 | 375 | 625 |
| | Z2 | | 42 | 57 | 85 | 143 | 229 | 343 | 573 |
| | Z3 | | 33 | 44 | 66 | 110 | 176 | 264 | 441 |
| Z4 | | 24 | 33 | 49 | 82 | 132 | 198 | 331 | |
| Z6 | | 16 | 21 | 32 | 54 | 87 | 131 | 219 | |
| Z8 | | 12 | 17 | 25 | 42 | 68 | 102 | 171 | |
| Z10 | | 10 | 14 | 21 | 36 | 57 | 86 | 144 | |
| Z16 | | 6 | 9 | 13 | 22 | 36 | 54 | 90 | |

The cable lengths determined are based on the following parameters:

| | |
|---|--|
| Tripping: | magnetic |
| DC correction factor (0 Hz): | Siemens = 1.4; ABB = 1.5 |
| Characteristics: | A, B, C, Z |
| | Characteristic A (3 times the rated current) x correction factor |
| | Characteristic B (5 times the rated current) x correction factor |
| | Characteristic C (10 times the rated current) x correction factor |
| | Characteristic Z (3 times the rated current) x correction factor |
| Ambient temperature: | +20 °C |
| Internal resistance R _i of the device circuit breaker: | taken into consideration |
| Comments: | In addition to the short-circuit current, the power supply unit also supplies half the nominal current for load paths connected in parallel. |

13.4.3 Fuse, type: Cooper Bussmann GMA xA, GMC xA

| Maximum distance l [m] with fuse | | Melting integral I ² t [A ² s] | Conductor cross section | | | | | | | |
|----------------------------------|-----------|--|-------------------------|------|------|-----|-----|-----|-----|------|
| | | | A [mm ²] | 0.75 | 1.0 | 1.5 | 2.5 | 4.0 | 6.0 | 10.0 |
| | | | AWG | 18 | (17) | 16 | 14 | 12 | 10 | 8 |
| Cooper Bussmann | GMA 1A | 0.48 | | 48 | 64 | 97 | 162 | 259 | 388 | 648 |
| | GMA 1.25A | 0.84 | | 36 | 49 | 73 | 122 | 196 | 294 | 490 |
| | GMA 1.5A | 1.6 | | 26 | 35 | 53 | 88 | 141 | 212 | 354 |
| | GMA 1.6A | 2 | | 23 | 31 | 47 | 79 | 127 | 190 | 317 |
| | GMA 2A | 3.1 | | 19 | 25 | 38 | 63 | 101 | 152 | 254 |
| | GMA 2,5A | 4.9 | | 15 | 20 | 30 | 51 | 81 | 122 | 204 |
| | GMA 3A | 8.8 | | 11 | 15 | 22 | 37 | 60 | 90 | 151 |
| | GMA 3,15A | 9.7 | | 10 | 14 | 21 | 36 | 57 | 86 | 144 |
| | GMA 3,5A | 13 | | 9 | 12 | 18 | 31 | 49 | 74 | 124 |
| | GMA 4A | 19 | | 7 | 10 | 15 | 25 | 41 | 61 | 103 |
| | GMA 5A | 29 | | 6 | 8 | 12 | 20 | 33 | 50 | 83 |
| | GMC 1A | 1.8 | | 23 | 31 | 47 | 78 | 125 | 188 | 314 |
| | GMC 1,25A | 3.4 | | 17 | 23 | 34 | 58 | 93 | 139 | 233 |
| | GMC 1,5A | 5.4 | | 13 | 18 | 27 | 46 | 74 | 111 | 185 |
| | GMC 1,6A | 5.8 | | 13 | 18 | 27 | 45 | 72 | 108 | 180 |
| | GMC 2A | 8.9 | | 11 | 14 | 22 | 37 | 59 | 89 | 149 |
| | GMC 2.5A | 13 | | 9 | 12 | 18 | 30 | 49 | 74 | 123 |
| | GMC 3A | 19 | | 7 | 10 | 15 | 25 | 41 | 61 | 103 |
| | GMC 3,15A | 23 | | 6 | 9 | 13 | 23 | 37 | 55 | 93 |
| | GMC 3,5A | 25 | | 6 | 8 | 13 | 22 | 35 | 53 | 89 |
| GMC 4A | 36 | | 5 | 7 | 11 | 18 | 29 | 44 | 74 | |

The cable lengths determined are based on the following parameters:

- Tripping: thermal
- Characteristics: Cooper Bussmann GMA (fast-blow - fast acting)
Cooper Bussmann GMC (medium-blow - medium time delay)
- Ambient temperature: +20 °C
- Internal resistance R_i of the fuse: taken into consideration
- Comments: In addition to the short-circuit current, the power supply unit also supplies half the nominal current for load paths connected in parallel.

14 Signaling

A floating signal contact and two digital outputs are available for preventive function monitoring of the power supply. Depending on the configuration of the power supply, either the two digital outputs or one digital and one analog output can be selected. The signal outputs are electrically isolated from the input and output of the power supply.

The current device status of the power supply is signaled using four LED status indicators. The function of each LED status indicator is assigned to a fixed event.

In addition, the power supply can be switched off and on via an external circuit.

The signal outputs are configured on the software side using the QUINT POWER software or the QUINT POWER app. Upon delivery, the power supply is pre-allocated a default configuration for the signal outputs.

14.1 Location and function of the signaling elements

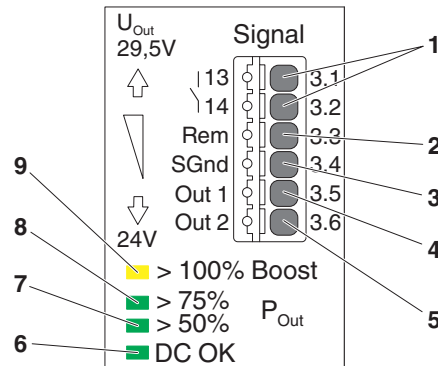


Figure 32 Position of signaling elements

Key

| No. | Signaling elements |
|-----|--|
| 1 | 13/14 floating switch contact (N/O contact) |
| 2 | Rem, remote input (switch power supply off and on) |
| 3 | SGnd, signal ground (reference potential for signals Out 1, Out 2) |
| 4 | Out 1 (digital output, function depends on the signal option set) |
| 5 | Out 2 (digital or analog output, function depends on the signal option set) |
| 6 | LED status indicator DC OK LED on: $U_{Out} > 90\% \times U_{Set}$ LED flashing: $U_{Out} < 90\% \times U_{Set}$ |
| 7 | LED status indicator $P_{Out} > 50\%$ (output power >480 W) |
| 8 | LED status indicator $P_{Out} > 75\%$ (output power >720 W) |
| 9 | LED status indicator $P_{Out} > 100\%$, boost mode (output power >960 W) |

14.1.1 Floating signal contact

In the default configuration, the floating switch contact opens to indicate that the set output voltage has been undershot by more than 10 % ($U_{Out} < 0.9 \times U_N$). Signals and ohmic loads can be switched. For heavily inductive loads (e. g. a relay), a suitable protective circuit (e. g. a freewheeling diode) is necessary.

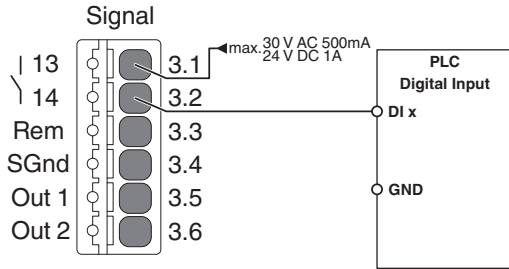


Figure 33 Signaling

14.1.2 Active signal outputs, digital

Signals are forwarded to the higher-level controller via the "Out 1" and "Out 2" signal outputs.

The 24 V DC signal is applied between the connection terminal blocks "Out 1" and "SGnd" or between "OUT 2" and "SGnd". It can carry a maximum of 20 mA.

By switching from "Active High" to "Active Low", the signal output "Out 1" indicates that the set output voltage has been undershot by more than 10 % ($U_{OUT} < 0.9 \times U_N$).

In the default configuration, the signal output "Out 2" indicates that the nominal power has been exceeded. The power supply then switches to boost mode. Thanks to this preventive function monitoring, critical operating states can be recognized at an early stage, prior to a voltage dip occurring.

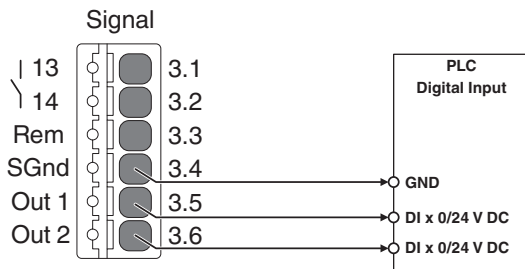


Figure 34 Signaling

14.1.3 Active analog signal output

The signal output "Out 2" can be used as an analog signal output to continuously monitor the device workload.

The 4 ... 20 mA signal is applied between the connection terminal blocks "Out 2" and "SGnd". It is proportional to the set signaling parameter.

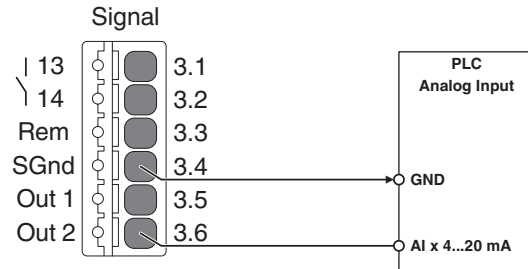


Figure 35 Signaling

14.2 Preventive function monitoring

In contrast to the default signaling set upon delivery, you can customize this to the specific needs of the system. The following signal options can be selected to signal system states.

| QUINT POWER default settings upon delivery | | | Out 1 digital 0/24 V DC 20 mA | Out 2 digital 0/24 V DC 20 mA | Relay 13/14 floating 24 V DC / ≤ 1 A 30 V AC / ≤ 0.5 A | Out 2 analog 4 ... 20 mA |
|--|-----------------------------------|---------------------------|-------------------------------------|-------------------------------------|---|------------------------------------|
| | Output voltage | ① 25 ... 135 % ② 90 % | Default | ✓ | Default | ① 0 ... 32 V DC ② 0 ... 30 V DC |
| | Output current | ① 5 ... 150 % ② 100 % | ✓ | ✓ | ✓ | ① 0 ... 60 A ② 0 ... 40 A |
| | Output power | ① 5 ... 150 % ② 100 % | ✓ | Default | ✓ | ① 0 ... 1440 W ② 0 ... 960 W |
| | Operating hours | ① 0 ... ∞ h ② 10 years | ✓ | ✓ | ✓ | -- |
| | Early warning of high temperature | Warning of derating | ✓ | ✓ | ✓ | -- |
| OVP | Voltage limitation active | Surge voltage at output | ✓ | ✓ | ✓ | -- |
| AC_{OK} | Input voltage OK | 10 ms after mains failure | ✓ | -- | ✓ | -- |

Key

| Symbol | Description |
|---------|---------------------------------------|
| ① | Setting range |
| ② | Default setting of the standard item |
| Default | Configuration set upon delivery |
| ✓ | Configuration that can be selected |
| -- | Configuration that cannot be selected |

The simultaneous control of multiple signal outputs by means of one signal option is possible, as is the use of logic operations to link multiple signal options to one control. The power supply is configured using the QUINT POWER software or the QUINT POWER app.

14.3 Description of signaling

14.3.1 Output voltage

Signals whether the output voltage is in the preset range. If the output voltage of the power supply falls below the set threshold value, the signal state changes.

Example of use

Indicates whether the connected load is being supplied. Used to quickly detect a load circuit that is not being supplied (e.g., in the event of mains failure or short circuit in the supply line).

14.3.2 Output current

If the output current of the power supply exceeds the set threshold value, the signal state changes.

Example of use

In the case of system extensions, loads are added. This increases the utilization of the power supply. Preventive function monitoring detects critical operating states in good time. Action can be taken before system downtime occurs.

14.3.3 Output power

If the output power of the power supply exceeds the set threshold value, the signal state changes.

Example of use

In the case of system extensions, loads are added. This increases the utilization of the power supply. Preventive function monitoring detects critical operating states in good time. Action can be taken before system downtime occurs.

14.3.4 Operating hours

If the preset operating time of the power supply is exceeded, the signal state changes.

Example of use

For systems with a very long operating time, such as wind turbine generators or refineries, maintenance intervals are planned. You can even schedule the maintenance date during configuration based on the ambient temperature and utilization of the power supply.

14.3.5 Early warning of high temperature

Before the power supply protects itself through power derating in the event of an overtemperature, the signal state changes.

Example of use

Outdoor control cabinets can reach a high internal temperature depending on the position of the sun. The same

is true if a control cabinet fan or cooling system fails. In the event of any form of overtemperature, the power supply provides a warning by means of this signal, well before the supply of the loads is in any danger.

Specifications regarding the available output power (see derating section).

14.3.6 Voltage limitation active

If the circuit inside the device for protecting against surge voltages is activated at the output, the signal state changes.

Example of use

Normative requirements stipulate that an upper voltage limit must be observed at the output in the event of an error. It must therefore be ensured, for example, that safety-related controllers are not supplied with an output voltage that exceeds 32 V DC, even in the event of an error. If foreign bodies (ferrules, screws, etc.) enter the power supply and generate an error, the signal state changes.

14.3.7 Input voltage OK

The power supply signals a mains failure at least 10 ms before shutting off.

Example of use

In the event of a mains failure, the power supply continues to supply the load with nominal power for at least 20 ms. Failure of the input voltage is signaled 10 ms before the output voltage falls, which means that this information is provided to the higher-level controller at an early stage. System states can therefore be stored promptly without any loss of data as a result of the unexpected failure of the supply voltage.

14.4 Remote input

The power supply is switched on and off using the digital remote input of the power supply. When switched off, power transmission is deactivated on the DC output side of the power supply. The load connected to the DC output terminal blocks is no longer supplied with energy. The operating mode where the DC output side is deactivated is called SLEEP MODE.

To switch the power supply to SLEEP MODE, select one of the external circuit versions below. The external circuit is wired between signal terminal blocks Rem (remote input) and SGnd (signal ground).

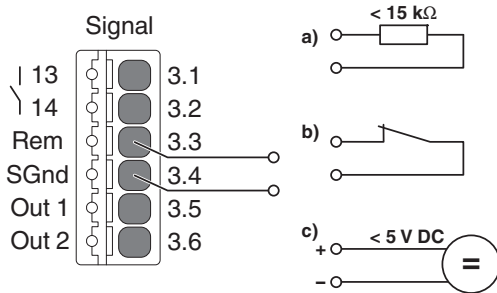


Figure 36 External wiring versions, enable SLEEP MODE

To switch the power supply back on, select one of the following external circuits between signal terminal blocks Rem and SGnd. Power transmission inside the device is activated again. As usual, the energy for supplying the loads is available at the DC output terminal blocks.

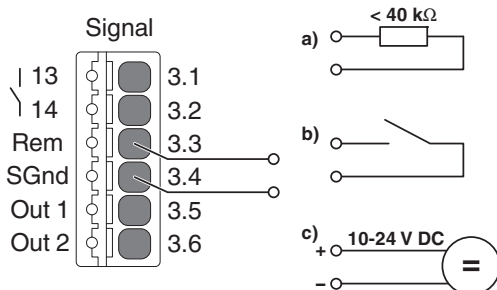


Figure 37 External wiring versions, disable SLEEP MODE

When using a PLC output, select the following external circuit version to switch the power supply to SLEEP MODE.

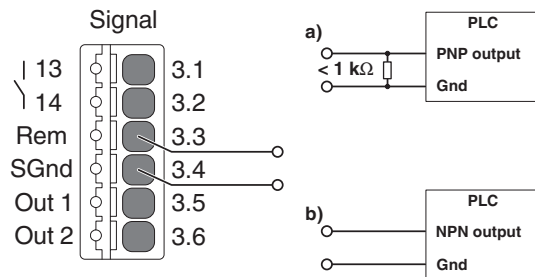


Figure 38 External wiring versions with PNP and NPN output

14.5 LED status indicators

Four LED status indicators are integrated in the front of the power supply, which indicate the current device state.

The green DC OK LED indicates the current status of the output voltage (U_{Out}). The DC OK LED is permanently on as long as the value of the output voltage U_{Out} is $\geq 0.9 \times U_{Set}$. If the value of the output voltage is $< 0.9 \times U_{Set}$, the green DC OK LED flashes.

Depending on the required output power of the connected load, the three P_{Out} LEDs, which indicate the current output power, light up. Assuming that the provided output power is $> 50\%$ of the nominal output power, the $> 50\%$ LED lights up green. If the demanded power continues to increase until it is above 75% , the $> 75\%$ LED lights up green in addition to the $> 50\%$ LED. If the required output power is then greater than the nominal device power, the power supply operates in boost mode. In boost mode, the $> 100\%$ LED additionally lights up yellow.

14.6 U/I Advanced characteristic curve signaling

The following table shows the standard assignment for signaling for the U/I Advanced characteristic curves which is set by default.

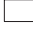











| | | Normal operation $P_{Out} < P_N$ | BOOST $P_{Out} > P_N$ | Overload operation $U_{Out} < 0.9 \times U_{Set}$ |
|-------------------------------|---------|---|---|---|
| LED: $P_{Out} > 100\%$ | yellow |  |  |  |
| Signal Out 2: $P_{Out} < P_N$ | Default | Active High | Active Low | Active Low |
| LED: $P_{Out} > 75\%$ | green |  |  |  |
| LED: $P_{Out} > 50\%$ | |  |  |  |
| LED: DC OK | |  |  |  |
| Relay: 13/14, DC OK | Default | closed | closed | open |
| Signal Out 1: DC OK | | Active High | Active High | Active Low |



Figure 39 Signal image for U/I Advanced

14.7 SMART HICCUP characteristic curve signaling

The following table shows the standard assignment for signaling for the SMART HICCUP characteristic curve.













| | | Normal operation $P_{Out} < P_N$ | BOOST $P_{Out} > P_N$ | Overload operation $U_{Out} < 0.9 \times U_{Set}$ |
|-------------------------------|---------|---|---|---|
| LED: $P_{Out} > 100\%$ | Yellow |  |  |  |
| Signal Out 2: $P_{Out} < P_N$ | Default | Active High | Active Low | Active Low |
| LED: $P_{Out} > 75\%$ | Green |  |  |  |
| LED: $P_{Out} > 50\%$ | |  |  |  |
| LED: DC OK | |  |  |  |
| Relay: 13/14, DC OK | Default | Closed | Closed | Open |
| Signal Out 1: DC OK | | Active High | Active High | Active Low |



Figure 40 Signal image for SMART HICCUP

14.8 FUSE MODE characteristic curve signaling

The following table shows the standard assignment for signaling for the FUSE MODE characteristic curve.

| | | Normal operation $P_{Out} < P_N$ | BOOST $P_{Out} > P_N$ | FUSE MODE $I > I_{Fuse}$ for $t > t_{Fuse}$ |
|-------------------------------|---------|-------------------------------------|--------------------------|--|
| LED: $P_{Out} > 100\%$ | Yellow | | | |
| Signal Out 2: $P_{Out} < P_N$ | Default | Active High | Active Low | Active Low |
| LED: $P_{Out} > 75\%$ | Green | | | |
| LED: $P_{Out} > 50\%$ | | | | |
| LED: DC OK | | | | |
| Relay: 13/14, DC OK | Default | Closed | Closed | Open |
| Signal Out 1: DC OK | | Active High | Active High | Active Low |



Figure 41 Signal image for FUSE MODE

14.9 SLEEP MODE signaling

In SLEEP MODE, all LEDs are off, all signals are low, and the relay switching contact is open.

14.10 Special immunity for the signal level

14.10.1 Surge protection for the high-voltage area at the power plant

Surge protection (Phoenix Contact Order No.: 2907925 or comparable protection) must be implemented for power plant applications when using signal connection types t (telecommunications area), h (high voltage area) or f (field) in accordance with IEC/EN 61850-3 or signal connection types 3 (process area) and 4 (high voltage area) in accordance with EN 61000-6-5.

When using the digital signals, a relay (Phoenix Contact Order No.: 2900299 or a comparable relay) can be implemented.

14.10.2 Surge protection for signals in railway applications

Surge protection (Phoenix Contact Order No.: 2907925 or comparable protection) must be implemented for railway applications when using signals in accordance with EN 62236-4 and EN 50121-4.

When using the digital signals, a relay (Phoenix Contact Order No.: 2900299 or a comparable relay) can be implemented.

14.10.3 Surge protection for devices in use in safety-related systems

Surge protection (Phoenix Contact Order No.: 2907925 or comparable protection) must be implemented for railway applications when using signals in accordance with EN 61000-6-7 for devices provided to perform functions in safety-related systems (functional safety) in industrial settings.

When using the digital signals, a relay (Phoenix Contact Order No.: 2900299 or a comparable relay) can be implemented.

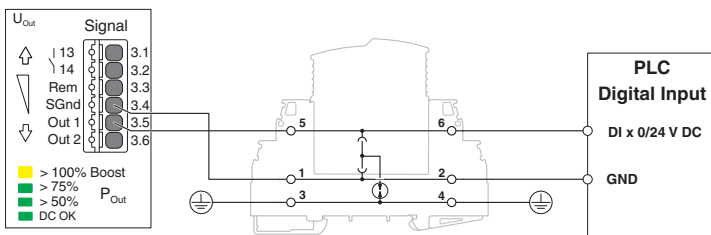


Figure 42 Schematic diagram, signal wiring with TRABTECH surge protection

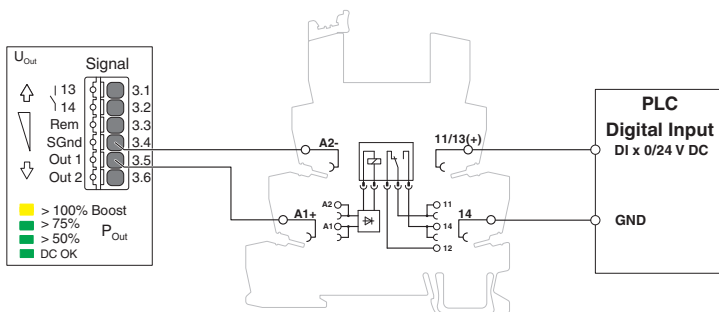


Figure 43 Schematic diagram, signal wiring with relay module

15 Operating modes

15.1 Series operation

To double the output voltage, connect two power supplies in series. Only use power supplies with the same performance class and configuration for series operation. If two 24 V DC power supplies are connected in series, an output voltage of 48 V DC is available to supply the loads.

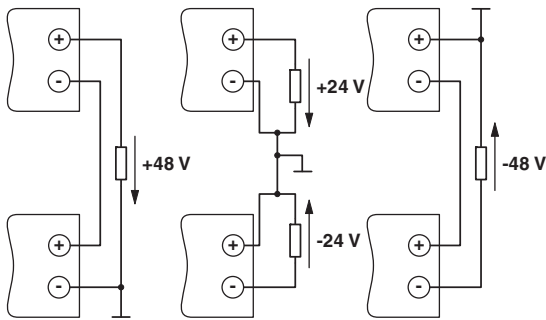


Figure 44 Schematic diagrams in series operation

15.2 Parallel operation

You can connect several power supplies in parallel in order to increase the power or to supply the loads redundantly.

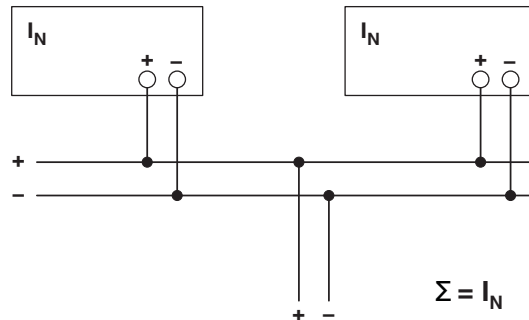


Figure 45 Schematic diagram in parallel operation

Observe the following points when carrying out parallel connection:

1. Use power supplies of the same type and performance class
2. Setting the same output voltages
3. Using the same cable cross sections for wiring
4. Using the same cable lengths for the DC convergence point
5. Operating power supplies in the same temperature environment
6. When three or more power supplies are connected in parallel, each output must be protected (e.g., with circuit breakers, fuses or decoupling modules)



We recommend the configuration "parallel operation" for a parallel connection. For more detailed information on the operating mode for parallel operation, refer to the user manual for the QUINT POWER software or the QUINT POWER app.

15.2.1 Redundancy operation

Redundant circuits are suitable for supplying systems and system parts which place particularly high demands on operational reliability.

If energy is to be supplied to the load with 1+1 redundancy, two power supplies of the same type and performance class must be used. In the event of an error, it must be ensured that one of the power supplies is able to provide the total required power for the load. This means that in redundancy mode, two 20 A power supplies supply a load with a nominal current of 20 A, for example. During normal operation of the power supplies, each power supply therefore supplies 10 A. Always use cables with the same cross sections and lengths when wiring the power supplies on the DC output side.

Redundancy modules can be used to 100% decouple two power supplies from one another and to ensure the supply. A distinction is made here between passive and active redundancy modules. Optimum decoupling with simultaneous monitoring and minimal power dissipation can be achieved with the QUINT ORING or QUINT S-ORING active redundancy module.

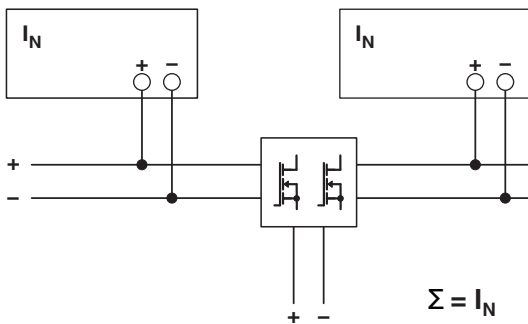


Figure 46 Schematic diagram, redundant operation with QUINT ORING

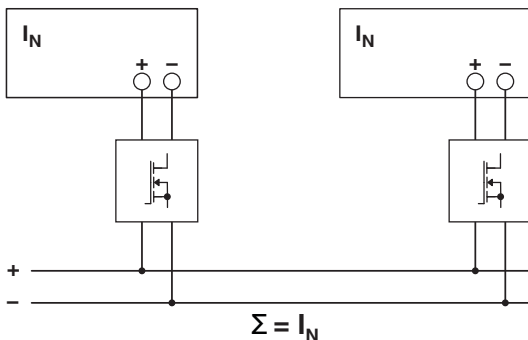


Figure 47 Schematic diagram, redundant operation with QUINT S-ORING

Certain specifications apply in redundancy operation with regard to the configuration of the keepout areas. In

redundancy operation, the power supplies are operated with maximum half the nominal power. The keepout areas are therefore reduced.

Using the signaling settings, you can monitor whether both power supplies are being operated with \leq half the nominal load. In the case of system extension, an overload is prevented if one of the power supplies fails.

15.2.2 Increased power

When n power supplies are connected in parallel, the output current is increased to $n \times I_N$. Parallel connection for increased power is used when extending existing systems. If the individual power supply does not cover the current consumption of the most powerful load, parallel connection of power supplies is recommended.

i When three or more power supplies are connected in parallel, each output must be protected separately, e.g., by a circuit breaker, fuse or decoupling module such as QUINT ORING, QUINT S-ORING or QUINT DIODE.

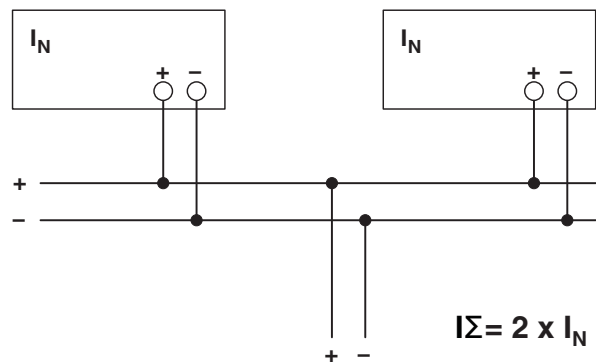


Figure 48 Schematic diagram of increased performance

16 Derating

The QUINT POWER power supply runs in nominal operation without any limitations. For operation outside the nominal range, the following points should be observed depending on the type of use.

16.1 Ambient temperature

When operating the power supply at an ambient temperature of $> 60\text{ }^{\circ}\text{C}$, a power derating of $2.5\text{ } \%/K$ should be observed. Up to an ambient temperature of $40\text{ }^{\circ}\text{C}$, the power supply can take power from the static boost for a sustained period. In the $40\text{ }^{\circ}\text{C}$ to $60\text{ }^{\circ}\text{C}$ temperature range, the power supply can output more than the nominal power for a sustained period.

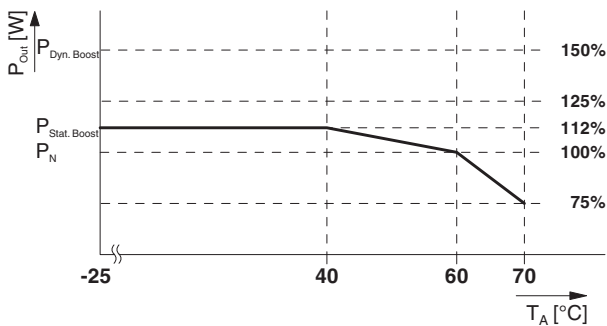


Figure 49 Output power depending on the ambient temperature

16.2 Input voltage

| Derating 1 %/V | | | |
|-----------------|-----------------------------------|--------------------------|------------------|
| U_{In} | T_A | I_{Out} | U_{Out} |
| < 100 V AC | $\leq 60\text{ }^{\circ}\text{C}$ | I_N | 24 V DC |
| < 110 V DC | | | |
| < 115 V AC | $\leq 40\text{ }^{\circ}\text{C}$ | $I_{\text{Stat. Boost}}$ | |
| < 110 V DC | | | |

16.3 Installation height

The power supply can be operated at an installation height of up to 2000 m without any limitations. Different data applies for installation locations above 2000 m due to the differing air pressure and the reduced convection cooling associated with this (see technical data section). The data provided is based on the results of pressure chamber testing performed by an accredited test laboratory.

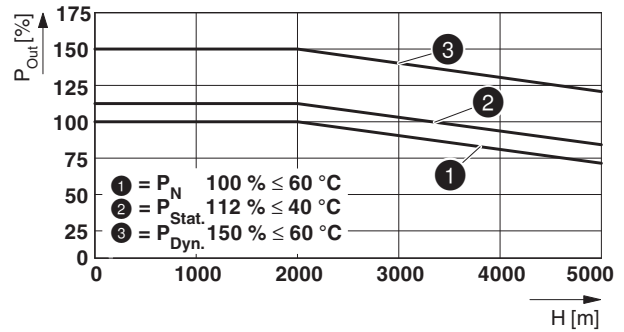


Figure 50 Output power depending on the installation height

16.4 Position-dependent derating

The fanless convection-cooled power supply can be snapped onto all DIN rails according to EN 60715.

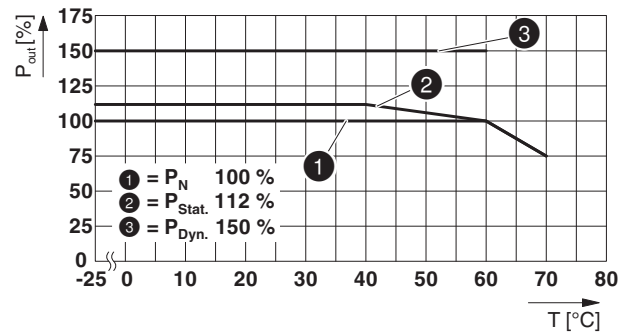
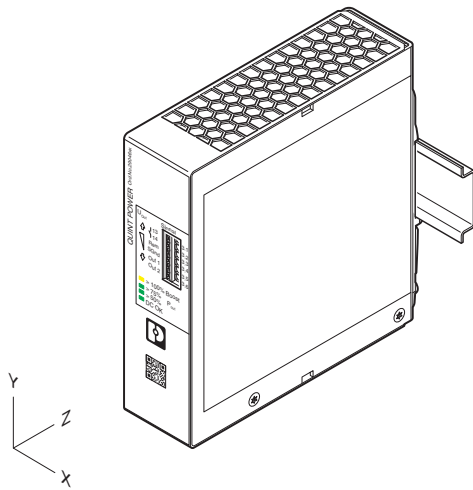


The power supply should be mounted horizontally for heat dissipation reasons (AC connection terminal blocks facing downward). Please observe the derating for any mounting other than the normal mounting position. Reduce the output power based on the prevailing ambient temperature.

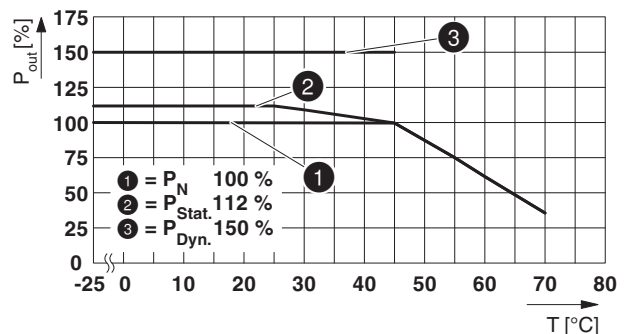
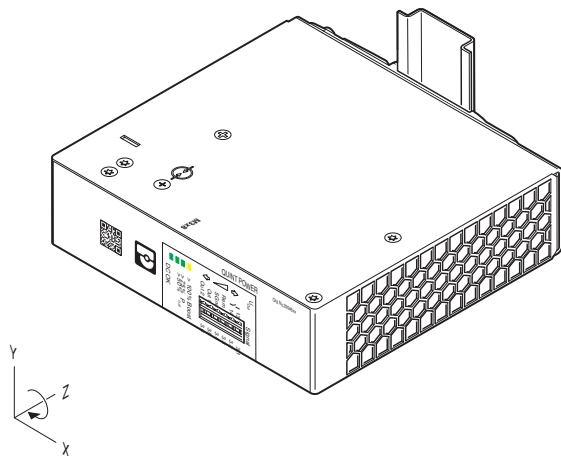
The recommended output power for different mounting positions and ambient temperatures can be found in the characteristic curves below.

Exceeding these values will reduce the service life of the power supply.

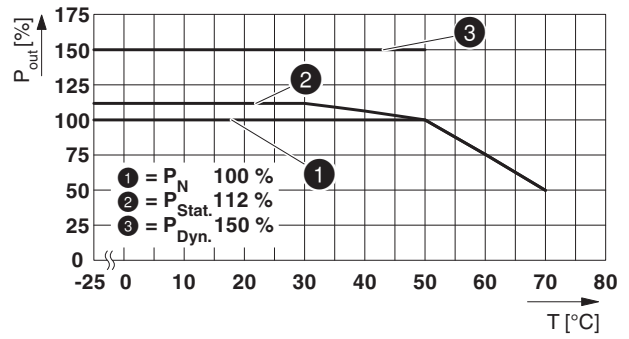
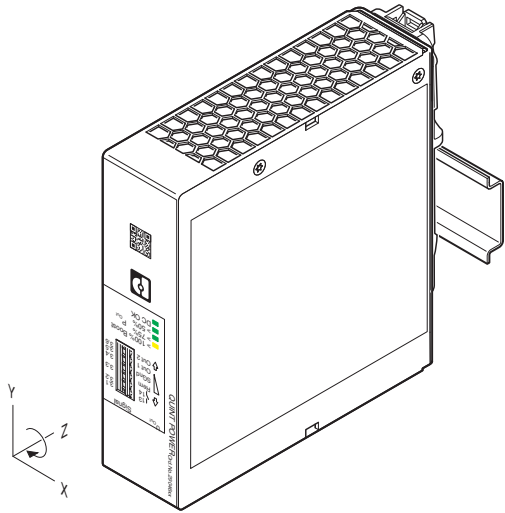
16.4.1 Normal mounting position



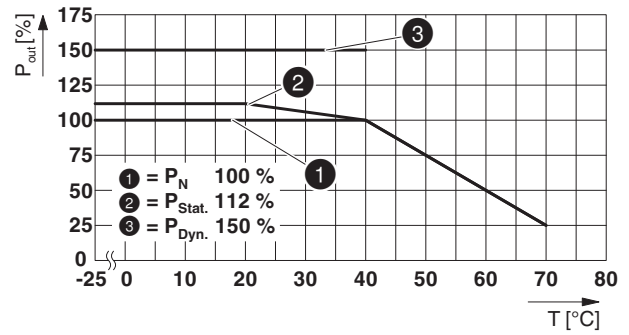
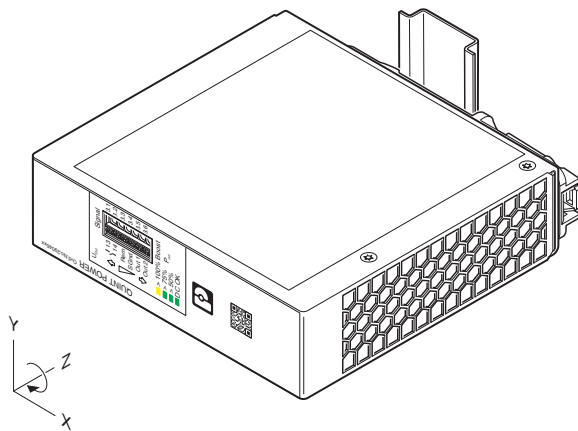
16.4.2 Rotated mounting position 90° Z-axis



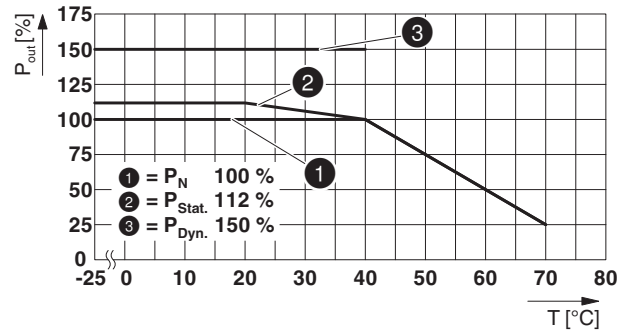
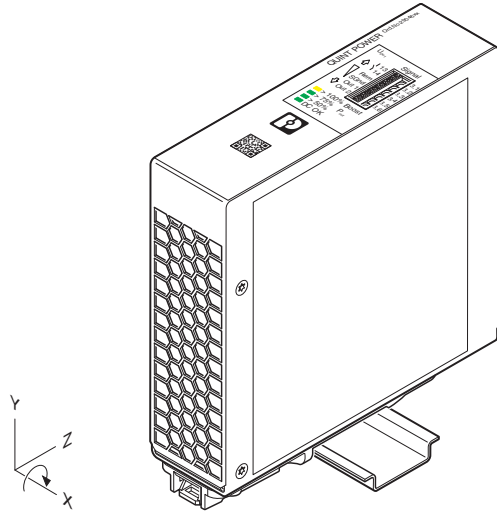
16.4.3 Rotated mounting position 180° Z-axis



16.4.4 Rotated mounting position 270° Z-axis



16.4.5 Rotated mounting position 90° X-axis



16.4.6 Rotated mounting position 270° X-axis

