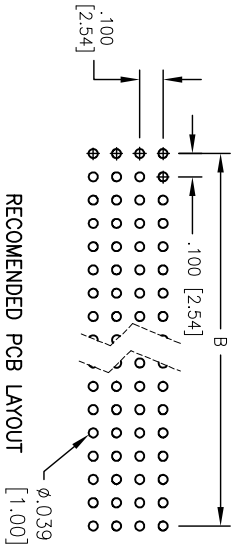
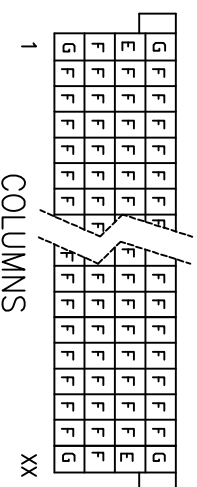
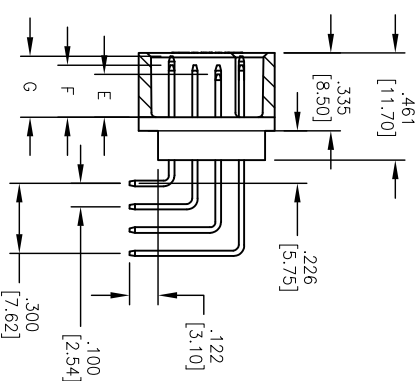
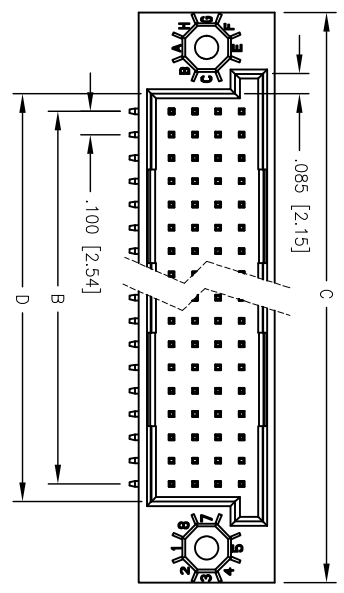
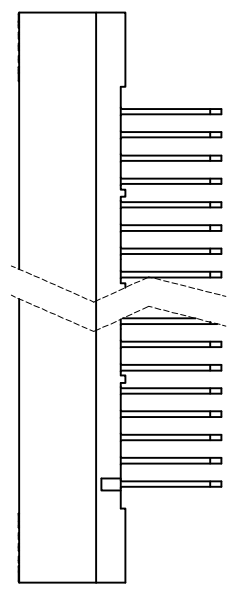


Rev	AWO #	Description	Date	Appr
-		RELEASED	12/20/10	

APPROVED: \_\_\_\_\_  
 DATE: \_\_\_\_\_ TITLE: \_\_\_\_\_



"X"	PLATING
C1	30 u" Gold
C2	15 u" Gold
C3	Gold Flash

Contact Length	E	F	G
100	1.83 [4.65]	2.22 [5.65]	2.62 [6.65]
128	3.80 [9.65]	2.40 [6.10]	2.80 [7.10]
160	4.76 [12.05]	3.10 [7.87]	3.60 [9.14]
200	5.75 [14.62]	3.90 [9.91]	4.40 [11.18]
240	6.75 [17.14]	4.60 [11.68]	5.00 [12.70]

**SPECIFICATIONS:**

**Material:**  
 Insulator: PBT, glass reinforced, rated UL 94V-0  
**Contacts:** Copper Alloy  
**Plating:**  
 Gold over Nickel underplate on contact area,  
 Tin over Copper underplate on solder tails.  
 (See chart for thickness)  
**Electrical:**  
 Current rating: 2 Amps max  
 Contact resistance: 20 mohms max  
 Insulation resistance: 1000 Mohms min  
 Dielectric withstanding voltage: 1000 VAC for 1 minute  
**Temperature Rating:**  
 Operating temperature: -55°C to +125°C  
**Environmental:**  
 Lead free, RoHS compliant.  
 Recommended soldering temp: 235°C for 5 sec.

**ADAM TECH**

909 Railway Avenue, Union, NJ 07083  
 Phone: 908-687-5000 Fax: 908-687-5710

DIN 41612, MALE, RIGHT ANGLE  
 PCB MOUNT

UNLESS OTHERWISE SPECIFIED ALL DIMENSIONS ARE MM [INCHES] TOLERANCES: EXCEPT AS NOTED	
.X	± .10
.XX	± .020
.XXX	± .015
.XXX	± .015
.XXX	± .010
.XXX	± .010

APPROVALS	DATE	TITLE
DRAWN AY	12/20/10	DIN-XXX-MR-144-A1CX
CHECKED AW	12/20/10	PCB MOUNT
APPROVED		

SIZE	PART NO.	SCALE	SHEET	REV.
X	DIN-XXX-MR-144-A1CX	NTS	1 OF 1	

