

Features

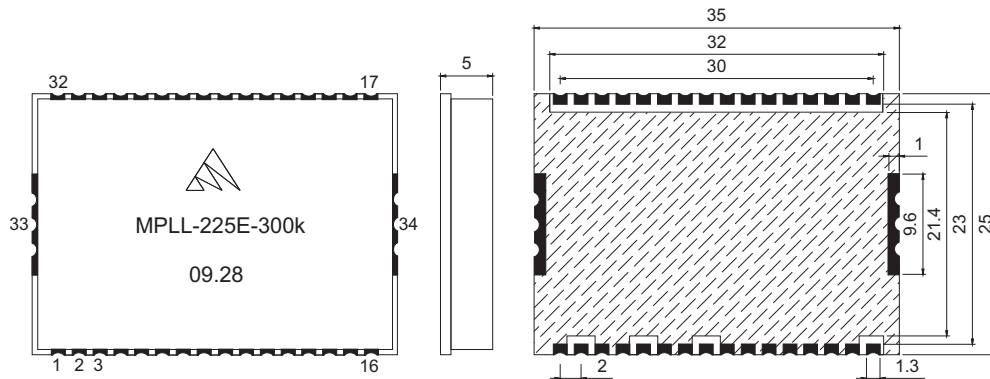
- Fast Switching
- Parallel control
- Small Size 35*25*6mm
- Frequency range 50~3000MHz
- Custom design available



Part number	Frequency MHz	Power output dBm	Step size kHz	Switching time uS	Spurious output dBc	Phase noise @10kHz dBc/Hz	Vcc1/Im1 V/mA	Vcc2/Im2 V/mA	Control Port
MPLL225E-300k	210-240	10±2	300	<25	-75	-110	+5/180	+12/20	Parallel
MPLL860E-2M	830-890	10±2	2000	<50	-70	-100	+5/100	+12/20	Parallel
MPLL1750E-2M	1600-1900	10±2	2000	<50	-70	-93	+5/100	+12/20	Parallel
MPLL2675E-2.5M	2550-2800	10±2	2500	<25	-70	-90	+5/100	+12/20	Parallel

Package information

- Outline Drawing



- Pin functions

Pin No.	Function	Pin No.	Function
1	+5V	15	REFin
9	+12V	17~31	Control
12	LD	32	RFout
11	RFout	Others	GND