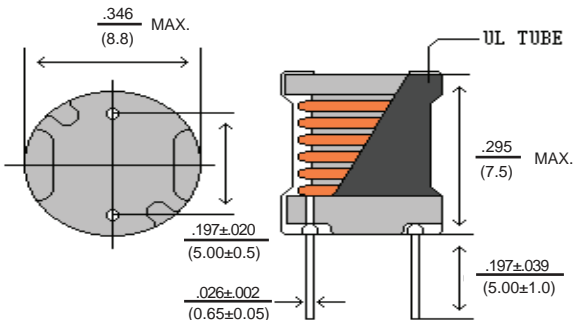


RB0807 Radial Bobbin Inductors



Dimensions: $\frac{\text{Inches}}{\text{(mm)}}$



Features

- Small Foot Print.
- Extensive Inductance Range
- UL Polyolefin Tubing

Electrical

Inductance Range: 2.2uh ~ 18,000uh

Tolerance: 10% over entire range.

Test Frequency: 100KHz, .01V

Operating Temperature: -55°C to +125°C.

Isat: Based on Inductance change by no more than 10% of initial value.

Irms: Current at which the temperature of the part will increase by 20° and 40° as shown from 25° ambient.

Under no circumstances should the temperature of the part increase to more than 125°C

Test Equipment

Inductance: HP4284A.

DCR: CH-301 Current Source & DCR Meter

Current: CH-301 Current Source & DCR Meter

SRF: 9461L

Physical

Packaging: 600 pieces per bag.

Marking: EIA Inductance Code

Allied Part Number	Inductance (μh)	Tolerance (%)	DCR Max. (Ω)	SRF Min. (MHz)	Isat (A)	Irms (A)	
						20°C Rise	40°C Rise
RB0807-2R2K-RC	2.2	10	0.012	80	6.00	5.00	7.50
RB0807-2R7K-RC	2.7	10	0.014	40	5.50	4.60	6.54
RB0807-3R3K-RC	3.3	10	0.017	40	5.00	4.20	5.97
RB0807-3R9K-RC	3.9	10	0.020	40	4.50	3.70	5.26
RB0807-4R7K-RC	4.7	10	0.024	40	4.20	3.50	4.98
RB0807-5R6K-RC	5.6	10	0.028	40	4.00	3.40	4.83
RB0807-6R8K-RC	6.8	10	0.033	30	3.60	3.20	4.55
RB0807-8R2K-RC	8.2	10	0.035	30	3.30	3.00	4.27
RB0807-100K-RC	10	10	0.040	30	3.10	3.00	4.20
RB0807-120K-RC	12	10	0.050	30	2.80	2.50	3.56
RB0807-150K-RC	15	10	0.065	25	2.50	2.25	3.20
RB0807-180K-RC	18	10	0.078	20	2.30	2.07	2.94
RB0807-220K-RC	22	10	0.100	20	2.10	1.90	2.70
RB0807-270K-RC	27	10	0.110	17	1.90	1.70	2.42
RB0807-330K-RC	33	10	0.120	15	1.70	1.50	2.13
RB0807-390K-RC	39	10	0.160	13	1.60	1.45	2.06
RB0807-470K-RC	47	10	0.190	12	1.45	1.30	1.85
RB0807-560K-RC	56	10	0.210	11	1.30	1.20	1.71
RB0807-680K-RC	68	10	0.280	10	1.20	1.10	1.56
RB0807-820K-RC	82	10	0.330	9	1.10	1.00	1.42
RB0807-101K-RC	100	10	0.400	8	1.00	0.90	1.30
RB0807-121K-RC	120	10	0.450	7	0.90	0.80	1.14
RB0807-151K-RC	150	10	0.510	6	0.80	0.72	1.02
RB0807-181K-RC	180	10	0.700	5	0.70	0.63	0.90
RB0807-221K-RC	220	10	0.800	5	0.65	0.60	0.85
RB0807-271K-RC	270	10	0.900	4.5	0.60	0.55	0.78
RB0807-331K-RC	330	10	1.16	4.5	0.55	0.50	0.71
RB0807-391K-RC	390	10	1.31	3.5	0.45	0.40	0.57
RB0807-471K-RC	470	10	1.75	2.9	0.40	0.36	0.51
RB0807-561K-RC	560	10	1.95	2.7	0.38	0.35	0.50
RB0807-681K-RC	680	10	2.20	2.6	0.35	0.31	0.44
RB0807-821K-RC	820	10	3.00	2.6	0.32	0.29	0.41
RB0807-102K-RC	1000	10	3.40	2.6	0.30	0.25	0.40
RB0807-122K-RC	1200	10	4.50	2.3	0.28	0.24	0.34
RB0807-152K-RC	1500	10	5.20	2.1	0.25	0.21	0.30
RB0807-182K-RC	1800	10	5.80	1.8	0.22	0.20	0.28
RB0807-222K-RC	2200	10	8.00	1.5	0.20	0.18	0.26
RB0807-272K-RC	2700	10	8.90	1.2	0.18	0.17	0.24
RB0807-332K-RC	3300	10	11.8	1.1	0.15	0.14	0.19
RB0807-392K-RC	3900	10	13.1	1.0	0.12	0.11	0.16
RB0807-472K-RC	4700	10	17.6	1.0	0.10	0.10	0.15
RB0807-562K-RC	5600	10	19.6	0.9	0.10	0.10	0.15
RB0807-682K-RC	6800	10	27.0	0.8	0.10	0.10	0.14
RB0807-822K-RC	8200	10	30.0	0.7	0.10	0.10	0.14
RB0807-103K-RC	10000	10	34.0	0.7	0.10	0.10	0.13
RB0807-123K-RC	12000	10	46.0	0.6	0.08	0.10	0.13
RB0807-153K-RC	15000	10	53.0	0.5	0.06	0.08	0.11
RB0807-183K-RC	18000	10	56.0	0.5	0.05	0.08	0.10

All specifications subject to change without notice.