

PUP 30-110

30 - 110 WATTS SINGLE & MULTIPLE OUTPUT AC/DC GENERAL

Features

- Wide range of models
- Adjustable output voltage
- Single, dual, triple and quad output voltages
- Universal input
- Overcurrent protection
- Overvoltage protection
- UL, CSA, and CE approvals
- MEPS compliance



Specifications

INPUT

Input voltage	85–264Vac wide input
Frequency	47Hz–63Hz
Input current	PUP30: 0.80A @ 115V, 0.5A @ 230V PUP55: 1.5A @ 115V, 0.9A @ 230V PUP110: 3.2A @ 115VAC, 1.8A @ 230VAC
Isolation	Input – Output: 3000Vac Input – Ground: 1500Vac Output – Ground: 500Vac
Inrush current	15A @ 115V, 30A @ 230V

OUTPUT

Output voltage	See table
Output voltage adjustment	V1 only – see table, $\pm 10\%$ on multi outputs
Output current	See table
Output power	PUP30 @ 30W PUP55 @ 55W PUP110 @ 110W
Ripple & noise	1% peak to peak
Line regulation	$\pm 0.5\%$ over input range
Load regulation	See table
Transient response	Max. deviation 4% recovering to 1% within 500 μ s after 25% load charge
Overvoltage protection	Provided on V1 only. Set at 110%–132% of nominal
Overcurrent protection	All outputs protected for short circuit conditions
Temperature coefficient	All outputs $\pm 0.04\%$ per $^{\circ}\text{C}$
Holdup time	Typically 10mS at 110VAC

OPERATING

MTBF	100,000 hrs @ 25 $^{\circ}\text{C}$
Efficiency	65%–70%
Insulation resistance	10M from Output to Ground
PFD signal	Power fail detection optional on PUP110

ENVIRONMENTAL

Operating temperature	0 $^{\circ}\text{C}$ to 50 $^{\circ}\text{C}$
Derating	Derate to 50% at 70 $^{\circ}\text{C}$
Storage temperature	-40 $^{\circ}\text{C}$ to 85 $^{\circ}\text{C}$
Relative humidity	5%–95% non-condensing

STANDARDS AND APPROVALS

Office of energy	PUP30: N13637; PUP55: N13180
Safety	UL1950, CSA C22.2, EN60950
C-Tick	AS/NZS CISPR11 Group 1 Class A
EMC standards	EN61000-4-2, EN61000-4-3, -4, -5, -6, -8, -11
EMI standards	EN55022 level B, FCC level B, VCCI level B, EN61000-3-2, EN61000-3-3

MECHANICAL

Input connector	IEC320 socket
Output connector	Various combinations of cord and plug available. Consult our sales office
Dimensions	PUP30: 147x75x42mm PUP55: 178x95x57mm PUP110: 254x127x68mm
Weight	PUP30: 500g; PUP55: 700g; PUP110: 1.2kg

*For detailed data sheet and output Pin connections and connector type, call our sales office

PUP 30-110

30 - 110 WATTS SINGLE & MULTIPLE OUTPUT AC/DC GENERAL

Selection Table

MODEL NUMBER	OUTPUT #1				OUTPUT #2				OUTPUT #3				OUTPUT #4				MAX. OUTPUT POWER	
	VNOM	IMIN	IMAX	TOL	VNOM	IMIN	IMAX	IPEAK	TOL	VNOM	IMIN	IMAX	TOL	VNOM	IMIN	IMAX	TOL	POWER
PUP30-10	5-6V	0A	5.0A	5%														24W
PUP30-10-1	6-8V	0A	4.5A	2%														27W
PUP30-11	9-11V	0A	3.3A	2%														30W
PUP30-12	11-13V	0A	2.7A	2%														30W
PUP30-13	13-17V	0A	2.3A	2%														30W
PUP30-13-1	17-21V	0A	1.7A	2%														30W
PUP30-14	21-27V	0A	1.4A	2%														30W
PUP30-16	27-33V	0A	1.1A	2%														30W
PUP30-17	33-39V	0A	0.9A	2%														30W
PUP30-18	48V	0A	0.7A	2%														30W
PUP30-23	+5V	0.3A	3.0A	5%	+12V	0.1A	2.0A		5%									30W
PUP30-24	+5V	0.3A	3.0A	5%	+15V	0.1A	1.5A		5%									30W
PUP30-25	+5V	0.3A	3.0A	5%	+24V	0.1A	1.0A		5%									30W
PUP30-31	+5V	0.3A	3.0A	5%	+12V	0A	0.8A		5%	-12V	0A	0.8A	5%					30W
PUP30-32	+5V	0.3A	3.0A	5%	+15V	0A	0.8A		5%	-15V	0A	0.8A	5%					30W
PUP55-10	5-6V	0A	8A	5%														40W
PUP55-10-1	6-8V	0A	7.5A	5%														45W
PUP55-11	9-11V	0A	5A	5%														50W
PUP55-12	11-13V	0A	4.6A	5%														55W
PUP55-13	13-17V	0A	3.7A	3%														55W
PUP55-13-1	17-21V	0A	3.1A	3%														55W
PUP55-14	21-27V	0A	2.3A	3%														55W
PUP55-16	27-33V	0A	1.9A	3%														55W
PUP55-17	33-39V	0A	1.6A	3%														55W
PUP55-18	48V	0A	1.2A	3%														55W
PUP55-23	+5V	1A	5A	5%	+12V	0.5A	3A		5%									55W
PUP55-24	+5V	1A	5A	5%	+15V	0.4A	2.5A		5%									55W
PUP55-25	+5V	1A	5A	5%	+24V	0.3A	2A		5%									55W
PUP55-31	+5V	1A	5A	5%	+12V	0.5A	3A		5%	-12V	0.1A	0.5A	10%					55W
PUP55-32	+5V	1A	5A	5%	+15V	0.4A	2.5A		5%	-15V	0.1A	0.5A	10%					55W
PUP110-10	5V	0A	22A	5%														110W
PUP110-12	12V	0A	9.0A	4%														110W
PUP110-13	15V	0A	7.5A	3%														110W
PUP110-14	24V	0A	4.5A	3%														110W
PUP110-16	30V	0A	3.6A	3%														110W
PUP110-18	48V	0A	2.3A	3%														110W
PUP110-23	+5V	0A	10A	5%	+12V	0A	5A	9.0A	5%									110W
PUP110-31	+5V	0A	10A	5%	+12V	0A	5A	9.0A	5%	-12V	0A	1A	5%					110W
PUP110-32	+5V	0A	10A	5%	+15V	0A	4A	7.5A	5%	-15V	0A	1A	5%					110W
PUP110-40	+5V	0A	10A	5%	+12V	0A	5A	9.0A	5%	-12V	0A	1A	5%	-5V	0A	1A	5%	110W
PUP110-41	+5V	0A	10A	5%	+15V	0A	4A	7.5A	5%	-15V	0A	1A	5%	+24V	0A	1A	5%	110W
PUP110-42	+5V	0A	10A	5%	+12V	0A	5A	9.0A	5%	-12V	0A	1A	5%	+12V	0A	1A	5%	110W
PUP110-45	+5V	0A	10A	5%	+12V	0A	5A	9.0A	5%	-12V	0A	1A	5%	+24V	0A	1A	5%	110W
PUP110-45-1	+5V	2A	10A	5%	+12V	0A	5A	9.0A	5%	-12V	0A	1A	5%	+24V	1.5A	3A	10%	110W
PUP110-45-2	+5V	0A	10A	5%	+24V	0A	3A	5.0A	5%	-12V	0A	1A	5%	+12V	0A	1A	5%	110W
PUP110-46	+5V	0A	10A	5%	+15V	0A	4A	7.5A	5%	-15V	0A	1A	5%	-5V	0A	1A	5%	110W

NOTES: (1) PUP110 units: peak output current with 10% maximum duty cycle for less than 60 seconds. Total peak power must not exceed 130 watts.

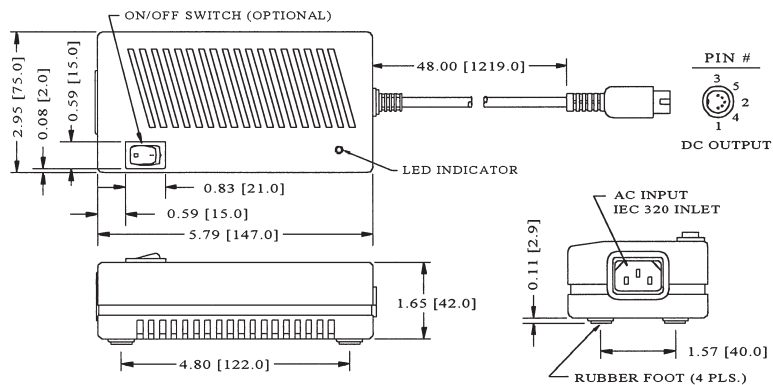
(2) The output #1 of model PUP110-45-1 needs a minimum current of 2A to support the other outputs at their maximum rated loads.

PUP 30-110

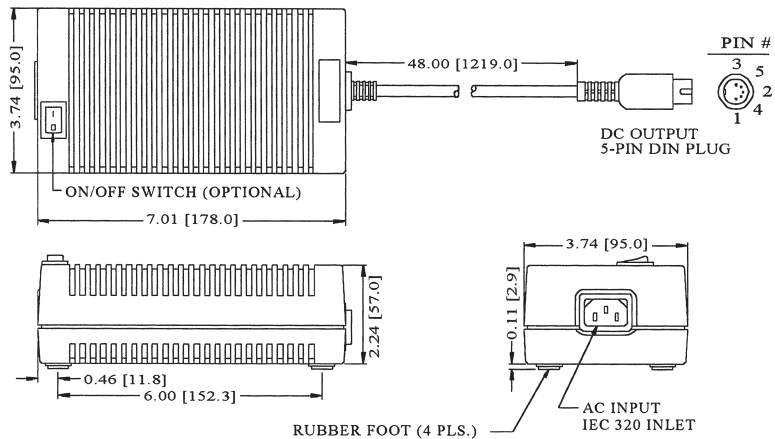
30 - 110 WATTS SINGLE & MULTIPLE OUTPUT AC/DC GENERAL

Technical Illustrations

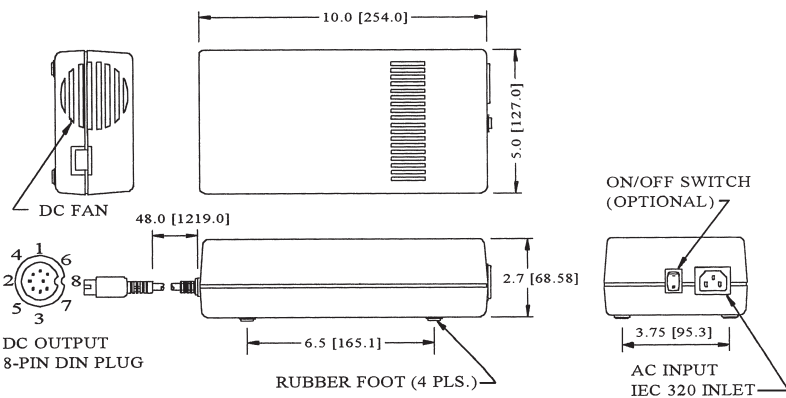
PUP30



PUP55



PUP110



NOTE: DC output connector shown for multi output supplies

All dimensions are shown in inches (mm).