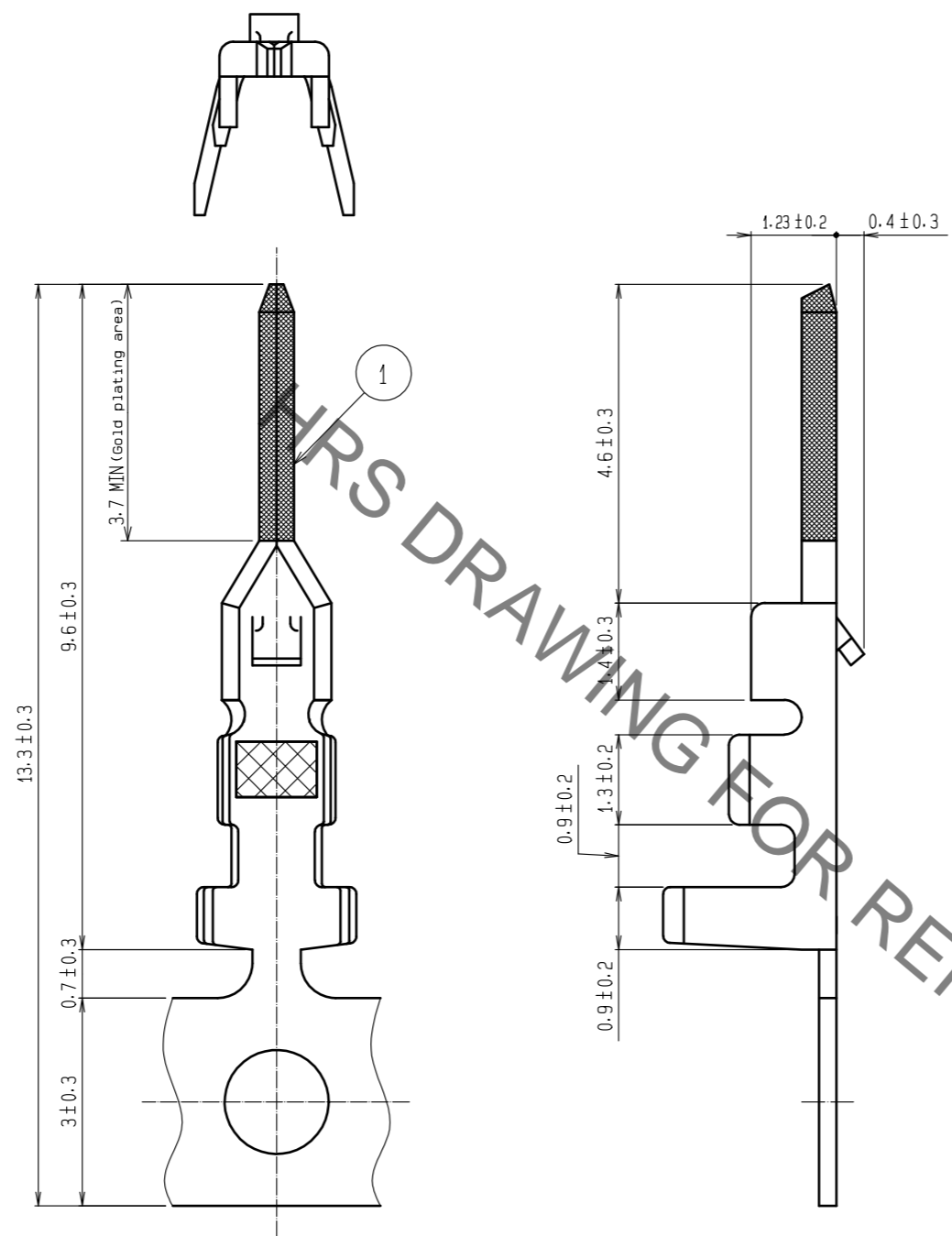


Apr.1.2020 Copyright 2020 HIROSE ELECTRIC CO., LTD. All Rights Reserved.
 In case of consideration for using Automotive equipment / device which demand high reliability, kindly contact our sales window correspondents.



HRS DRAWING FOR REFERENCE

Note1. 10000 pieces per reel

NO.		MATERIAL		FINISH . REMARKS		NO.		MATERIAL		FINISH . REMARKS	
		1		Phosphor Bronze				Contact Area:Gold Plating 0.2 μm MIN		Others :Nickel Plating 0.5μm MIN	
UNITS	mm	SCALE	10 : 1	COUNT	△	DESCRIPTION OF REVISIONS			DESIGNED	CHECKED	DATE
HRS HIROSE ELECTRIC CO., LTD.		APPROVED	: HS. OKAWA	16.11.30	DRAWING NO.			EDC-081283-00-00			
		CHECKED	: TS. FUKUSHIMA	16.11.30	PART NO.			DF3-EP2428PCFA			
		DESIGNED	: TS. KUMAZAWA	16.11.29	CODE NO.			CL543-0149-3-00			
		DRAWN	: TO. KUROMATSU	16.11.29							