

SERIES: CBL-A31-C31 | **DESCRIPTION:** USB CABLE**FEATURES**

- type A male to type C male
- USB 3.1 Gen 1
- available in 0.5, 1, 1.5, 2.0 m lengths
- PVC or TPE jacket material
- black, white, and gray color options

**SPECIFICATIONS**

| parameter | conditions/description | min | typ | max | units |
|-----------------------|------------------------|-----|-----|-----|--------------|
| rated voltage | | | 30 | | Vdc |
| rated current | | | | 1.5 | A |
| conductor resistance | | | | 1 | Ω |
| insulation resistance | at 300 Vdc | 10 | | | M Ω |
| operating temperature | | -20 | | 80 | $^{\circ}$ C |
| flammability rating | see material table | | | | |
| RoHS | yes | | | | |

PART NUMBER KEY**CBL-A31-C31-XX XX**

Base Number

Length:

05 = 0.5 m

10 = 1.0 m

15 = 1.5 m

20 = 2.0 m

Color:

B = black

W = white

G = gray

Cable/Overmold Material:

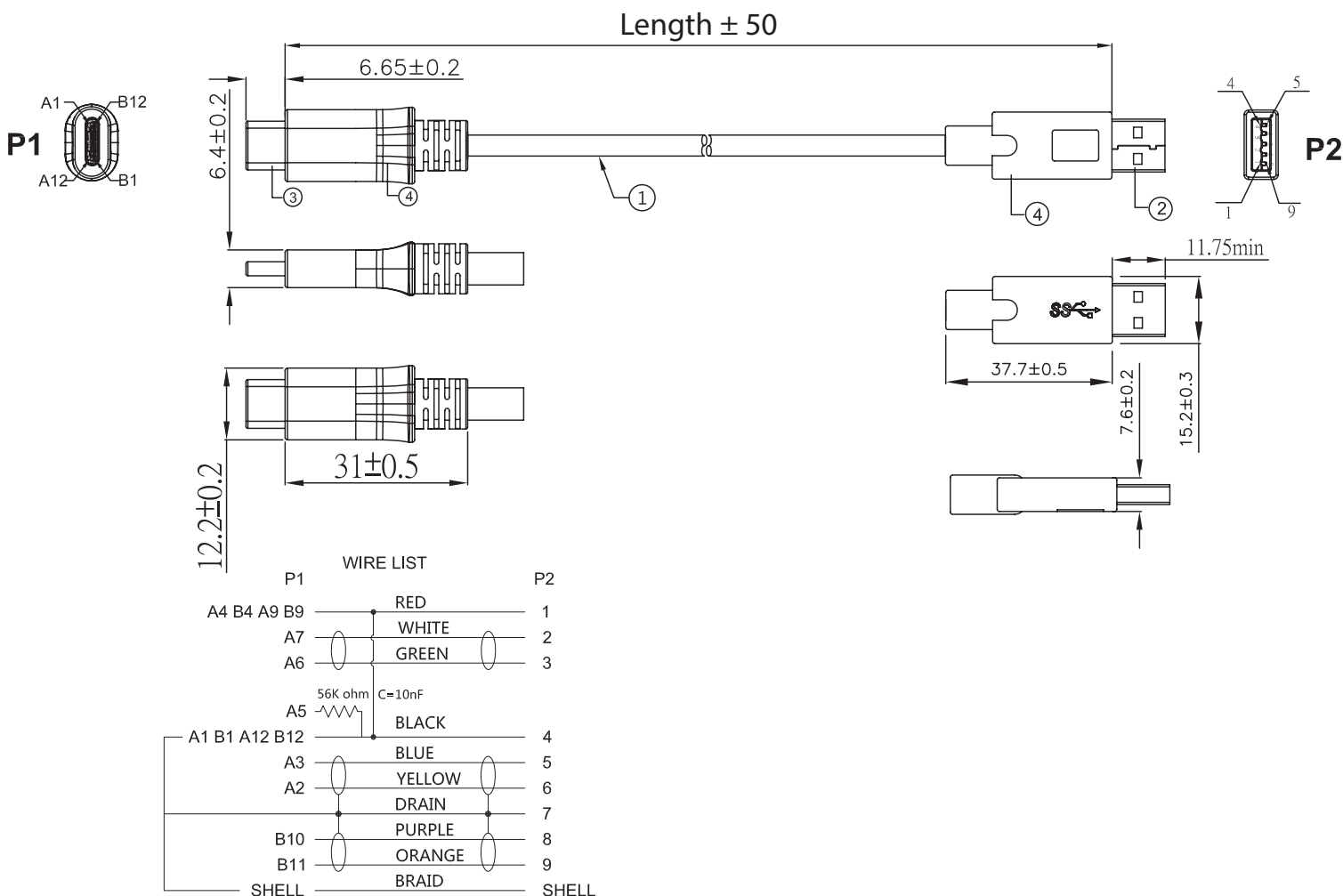
P = PVC

T = TPE

MECHANICAL DRAWING

units: mm
 tolerance:
 X ≤ 30: ±1.5 mm
 31 < X ≤ 100: ±2.0 mm
 unless otherwise noted

| ITEM | DESCRIPTION |
|------|--|
| 1 | cable (PVC version) UL2725 (#28*1P+D+A+HM)*2+#28*1P+AL+#24*2C+FAEB(TC65%) PVC; Black OD=5.5±0.15 mm; 30 V (UL94VW-1) |
| 1 | cable (TPE version) UL21371 (#28*1P+D+A+HM)*2+#28*1P+AL+#24*2C+FAEB(TC65%) TPE; Black OD=5.5±0.15 mm; 30 V (UL94V-0) |
| 2 | connector 1 USB 3.0 A/M; Color: Blue; Contact: gold flash; Shell: Ni plated |
| 3 | connector 2 USB 3.1 C; Color: Black; Contact: gold plated; Shell: Ni plated |
| 4 | overmold PVC 45P or TPE (UL94V-0) |



PACKAGING

units: mm

Carton Size: 546 x 355 x 186 mm

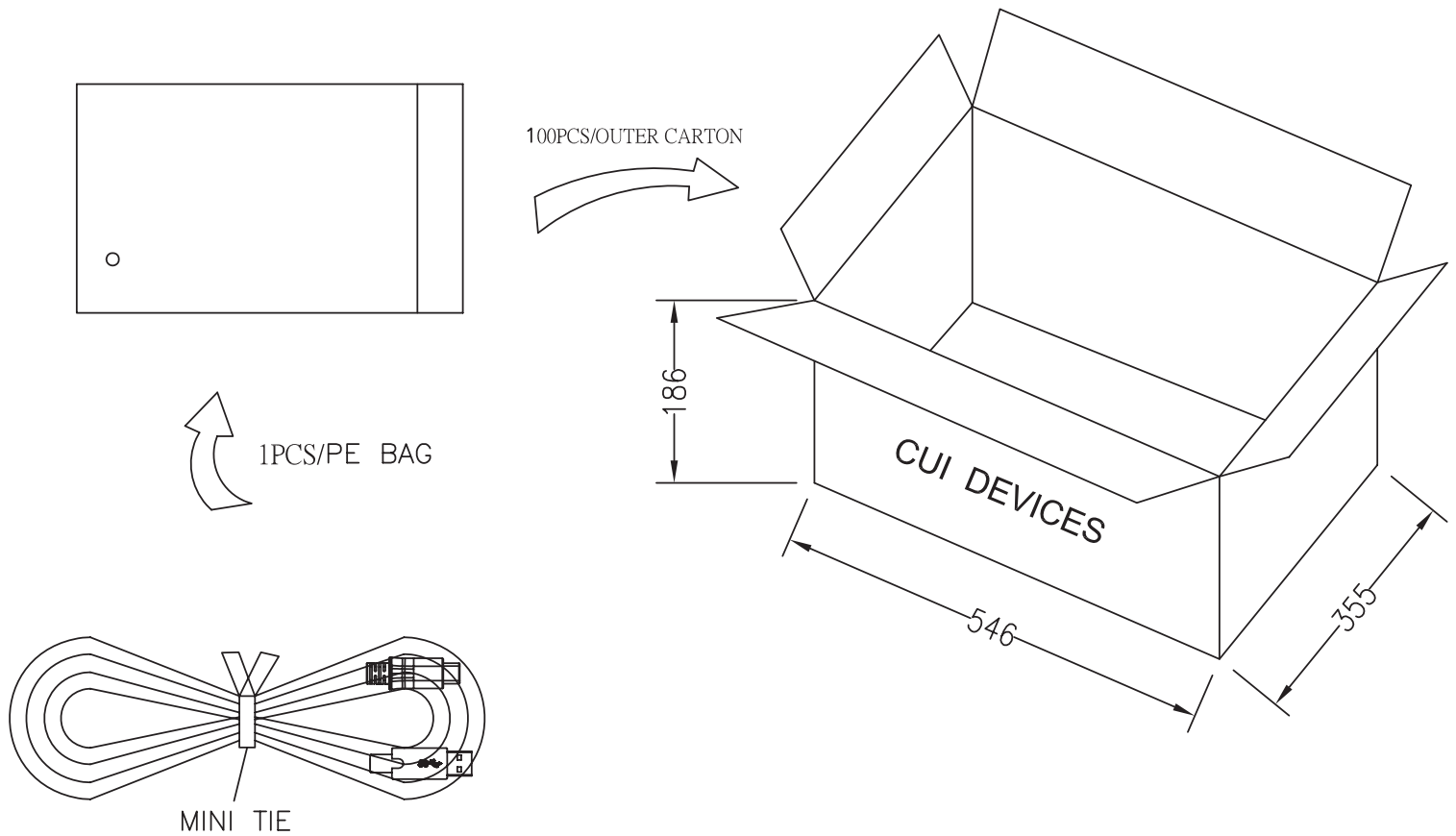
Carton QTY:

0.5 m length models: 200 pcs/carton

1.0 m length models: 150 pcs/carton

1.5 m length models: 150 pcs/carton

2.0 m length models: 100 pcs/carton



REVISION HISTORY

| rev. | description | date |
|------|-----------------|------------|
| 1.0 | initial release | 11/30/2020 |

The revision history provided is for informational purposes only and is believed to be accurate.

CUI DEVICES

CUI Devices offers a one (1) year limited warranty. Complete warranty information is listed on our website.

CUI Devices reserves the right to make changes to the product at any time without notice. Information provided by CUI Devices is believed to be accurate and reliable. However, no responsibility is assumed by CUI Devices for its use, nor for any infringements of patents or other rights of third parties which may result from its use.

CUI Devices products are not authorized or warranted for use as critical components in equipment that requires an extremely high level of reliability. A critical component is any component of a life support device or system whose failure to perform can be reasonably expected to cause the failure of the life support device or system, or to affect its safety or effectiveness.