

PLEASE CHECK WWW.MOLEX.COM FOR LATEST PART INFORMATION

Part Number: **0191930159**
Status: **Active**
Description: VersaKrimp™ Ring Tongue Terminal for 8 AWG Wire

Documents:

[Drawing \(PDF\)](#) [RoHS Certificate of Compliance \(PDF\)](#)

Agency Certification

CSA LR18689
 UL E32244

General

Product Family Ring and Spade Terminals
 Series [19193](#)
 Crimp Quality Equipment Yes
 Mil-Spec N/A
 Product Name VersaKrimp™
 Type Ring

Physical

Barrel Type Closed - Brazed
 Insulation None
 Material - Plating Mating Tin
 Packaging Type Bag
 Stud Size 10 (M5)
 Termination Interface: Style Crimp or Compression
 Wire Size AWG 8
 Wire Size mm² 0.60 - 10.5

Material Info

Old Part Number D-351-10

Reference - Drawing Numbers

Sales Drawing SD-19193-017



image - Reference only

EU RoHS

**ELV and RoHS
 Compliant**
**REACH SVHC
 Contains SVHC: No**
**Halogen-Free
 Status**

China RoHS



**Need more information on product
 environmental compliance?**

Email productcompliance@molex.com
 For a multiple part number RoHS Certificate of
 Compliance, [click here](#)

Please visit the [Contact Us](#) section for any
 non-product compliance questions.

Search Parts in this Series

[19193Series](#)

Application Tooling | [FAQ](#)

*Tooling specifications and manuals are
 found by selecting the products below.
 Crimp Height Specifications are then
 contained in the Application Tooling
 Specification document.*

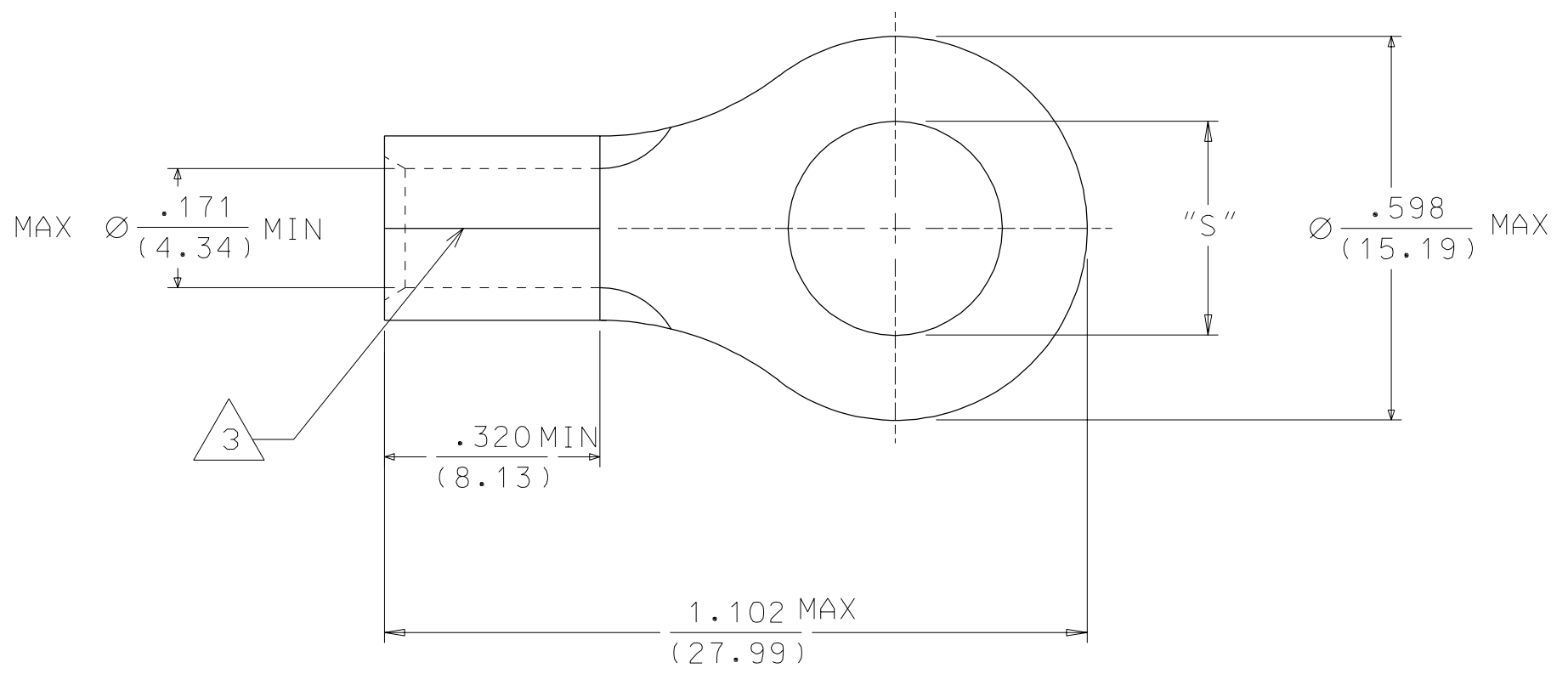
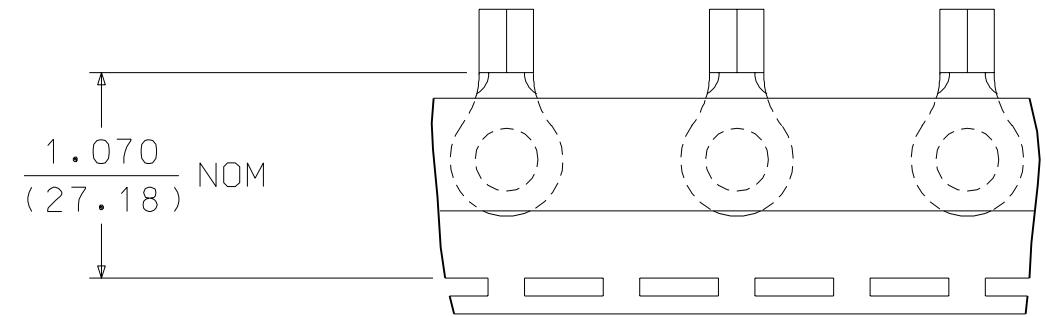
Global

Description	Product #
Putt Pump Dieless Head System	0192860065
Manual Putt Pump Hydraulic System, Die set required	0192860117
Die Set (large) for the HHLS Hydraulic Crimper	0192900001
Hand Crimp Tool	0640013900
Crimp Head for the AT-200™ Pneumatic Hand Tool	0640074400

This document was generated on 04/14/2010

PLEASE CHECK WWW.MOLEX.COM FOR LATEST PART INFORMATION

MATERIAL NUMBER	ENGINEERING NUMBER	STUD SIZE	PACKAGING
191930159	D-351-10	10	LOOSE PIECE
191930163	D-351-14	1/4	
191930171	D-351-56	5/16	
191930167	D-351-38	3/8	
191930175	D-351-76	7/16	
191930162	D-351-10T	10	TAPE MOUNTED
191930166	D-351-14T	1/4	
191930174	D-351-56T	5/16	
191930170	D-351-38T	3/8	
191930177	D-351-76T	7/16	



SALES DRAWING

- NOTES:
 1. MATERIAL: COPPER
 PLATING: ELECTROPLATE TIN
 2. ALL DIMENSIONS IN INCHES/(MM).
 3. BRAZED SEAM.

NEW RELEASE EC NO. ETC2001-0270 DRWN: BRE 01/06/11 CHK: HEB 01/06/11 APPR: RWD 01/06/11	QUALITY SYMBOLS MAJOR $\blacktriangle = 0$ CRITICAL $\triangle = 0$	GENERAL TOLERANCES: (UNLESS SPECIFIED) mm INCH 4 PLACES $\pm 0.$ $\pm.$ 3 PLACES $\pm 0.$ $\pm.$ 2 PLACES $\pm 0.$ $\pm.$ 1 PLACE $\pm 0.$ $\pm.$ ANGULAR: \pm $^{\circ}$	SCALE 4 : 1 DESIGN UNITS <input type="checkbox"/> mm <input checked="" type="checkbox"/> INCH THIRD ANGLE PROJECTION	DIMENSIONS: <input type="checkbox"/> mm <input checked="" type="checkbox"/> INCH <input type="checkbox"/> mm ONLY	SHT REV REVISE ON CAD ONLY
	DESCRIPTION A	DRAWN BY & DATE BRE 01/06/07	TITLE: RING TONGUE TERMINAL VERSAKRIMP 8 AWG		
	REV	CHECKED BY & DATE HEB 01/06/07	MOLEX INCORPORATED		
	REV	APPROVED BY & DATE RWD 01/06/07	CAD FILENAME SD-19163-017.DWG	MATERIAL NO. SEE CHART DRAWING NO. SD-19193-017 SHEET NO. 1 OF 1	

THIS DRAWING CONTAINS INFORMATION THAT IS PROPRIETARY TO MOLEX INCORPORATED AND SHOULD NOT BE USED WITHOUT WRITTEN PERMISSION.