

PLEASE CHECK WWW.MOLEX.COM FOR LATEST PART INFORMATION

Part Number: [5017865091](#)
Status: **Active**
Overview: [ffc_fpc_smt](#)
Description: 0.50mm (.020") Pitch FFC-to-Board Connector, Receptacle Housing Assy, Vertical, SMT, with Grounding terminals, 50 Circuits

Documents:

[3D Model](#) [Product Specification PS-501786-004 \(PDF\)](#)
[Drawing \(PDF\)](#) [RoHS Certificate of Compliance \(PDF\)](#)

General

Product Family FFC/FPC Connectors
 Series [501786](#)
 Comments with Grounding terminals
 Overview [ffc_fpc_smt](#)
 Product Name N/A

Physical

Circuits (Loaded) 50
 Color - Resin Black
 Contact Position N/A
 Durability (mating cycles max) 20
 Entry Angle Vertical
 Mated Height (in) 0.352 In
 Mated Height (mm) 8.95 mm
 Material - Metal Copper Alloy
 Material - Plating Mating Gold
 Material - Plating Termination Gold
 Number of Rows 1
 Orientation Vertical
 PCB Locator Yes
 PCB Retention Yes
 Packaging Type Embossed Tape on Reel
 Pitch - Mating Interface (in) 0.020 In
 Pitch - Mating Interface (mm) 0.50 mm
 Polarized to PCB Yes
 Stackable No
 Temperature Range - Operating -40°C to +85°C
 Termination Interface: Style Surface Mount
 Wire/Cable Type FFC only

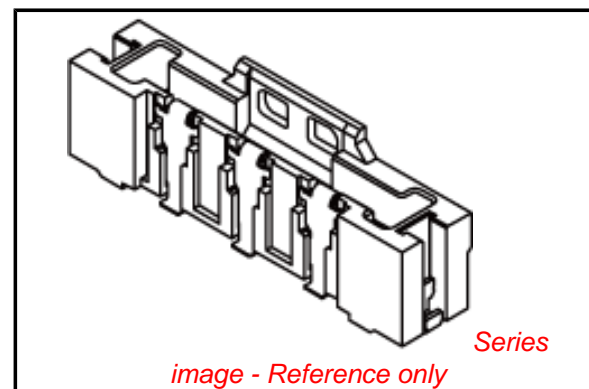
Electrical

Current - Maximum per Contact 0.5A
 Voltage - Maximum 50V AC (RMS)/DC

Material Info

Reference - Drawing Numbers

Packaging Specification SPK-501786-001
 Product Specification PS-501786-004
 Sales Drawing SD-501786-009, SD-501786-012



EU RoHS

**ELV and RoHS
 Compliant**
REACH SVHC
 Not Reviewed
**Halogen-Free
 Status**
Not Reviewed

China RoHS



**Need more information on product
 environmental compliance?**

Email productcompliance@molex.com
 For a multiple part number RoHS Certificate of Compliance, [click here](#)

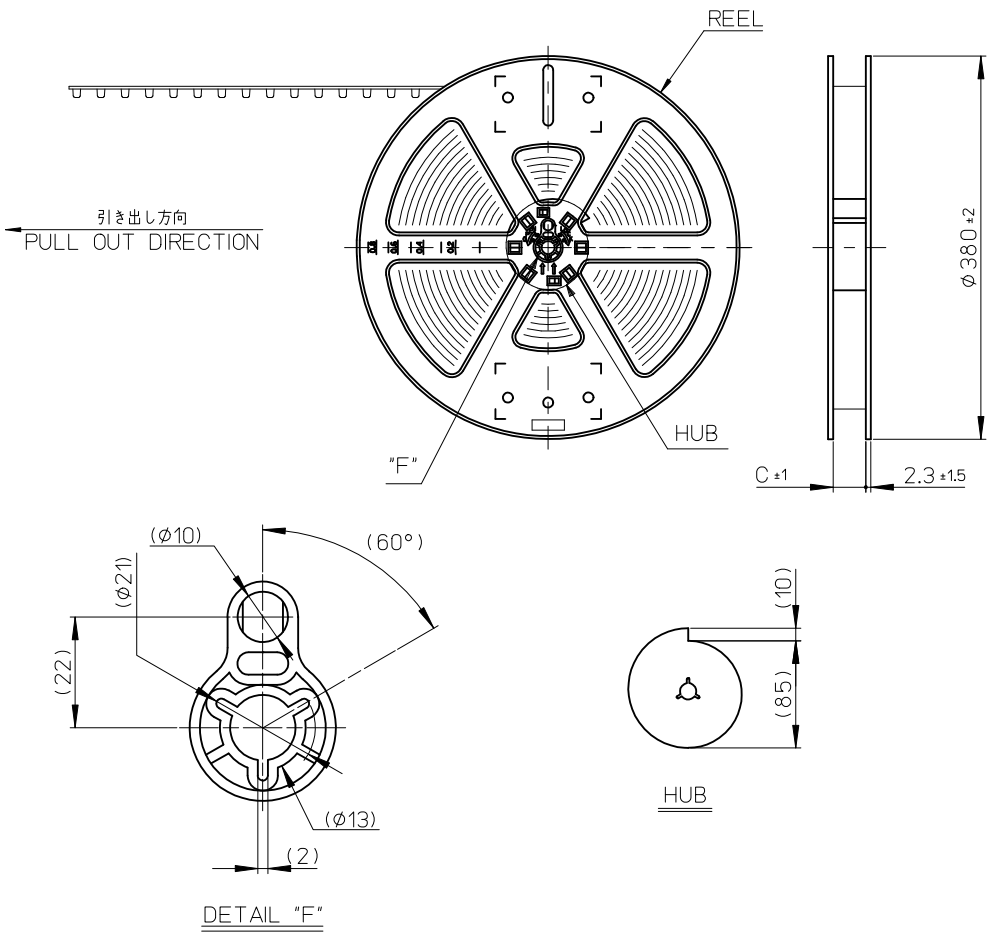
Please visit the [Contact Us](#) section for any non-product compliance questions.

Search Parts in this Series

[501786Series](#)

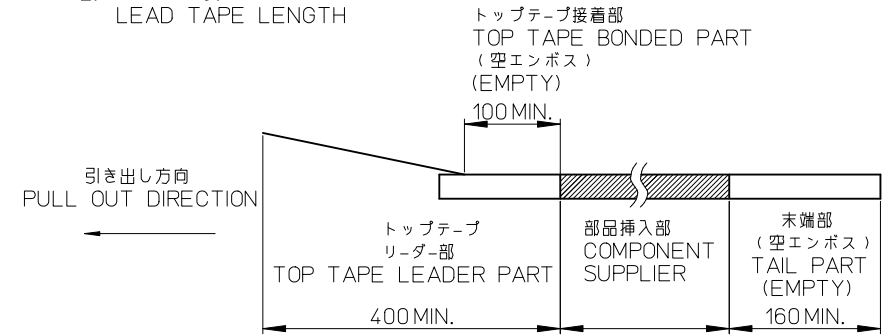
Use With

[503150-5009 Plug Jacket](#) . [503151-5009 Plug Jacket Cover](#)

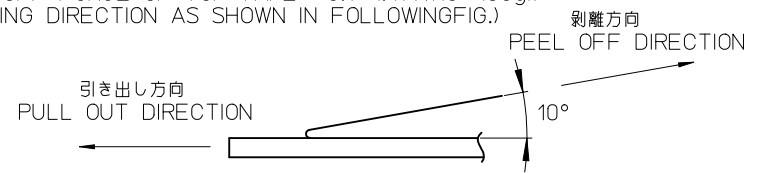


NOTES

- 梱包数量：900 個ノリール
NUMBER OF CONNECTORS:900 PCS/REEL
- リードテープ長さ
LEAD TAPE LENGTH



- 3. トップテープの剥離強度：0.1~1.47N(10~150gf)
(剥離方向は下図参照)
剥離速度：300mm/MIN.(参考)
PEEL-OFF FORCE OF TOP TAPE : 0.1~1.47N(10~150gf)
(PEELING DIRECTION AS SHOWN IN FOLLOWINGFIG.)

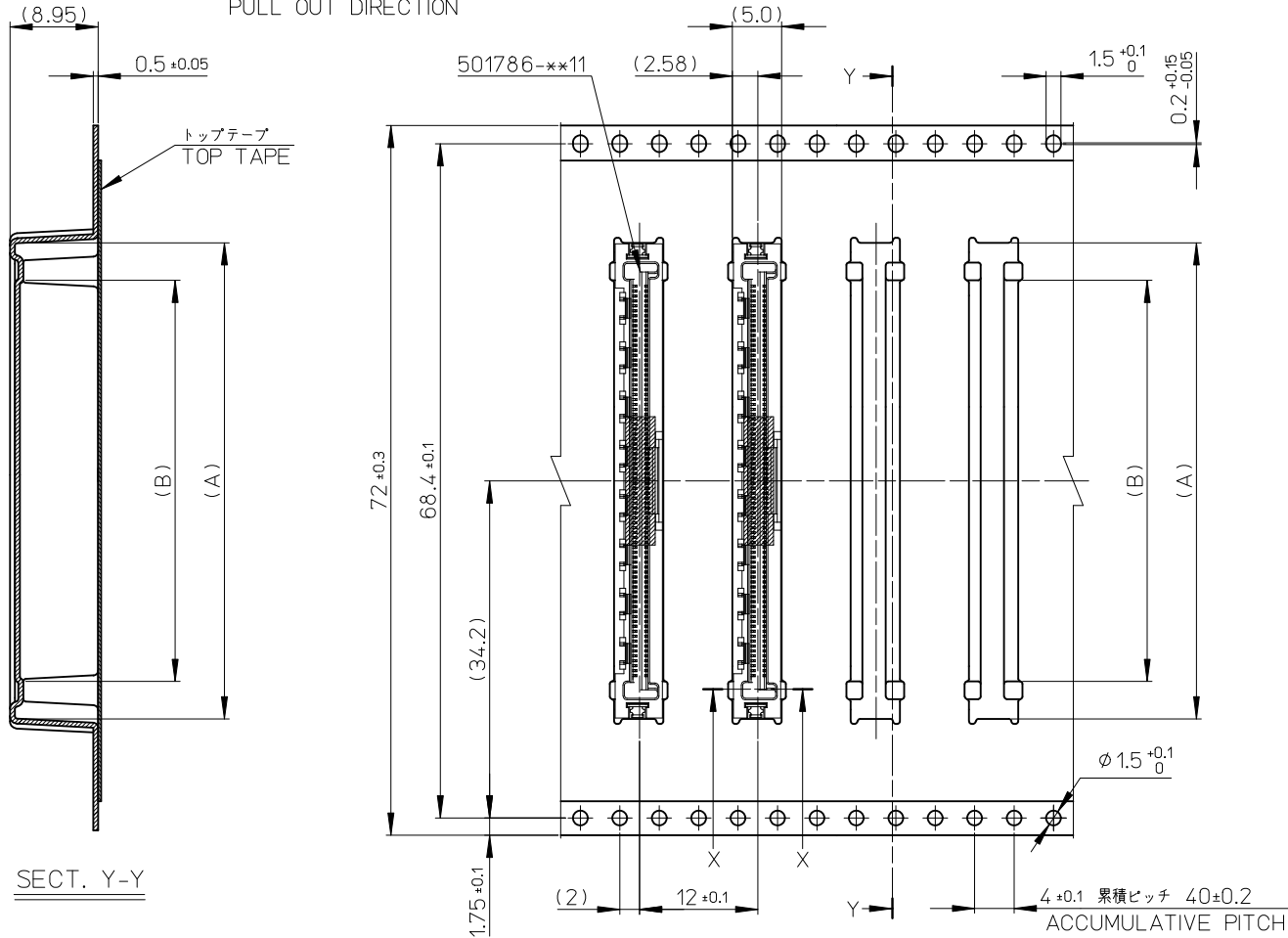


- 製品詳細寸法については図面 SD-501786-001を参照下さい。
RE DETAILED DIMENSION, SEE SD-501786-001.
- 材料(MATERIAL)
キャリアテープ(CARRIER TAPE)：ポリスチレン(POLYSTYRENE)
トップテープ(TOP TAPE)：PET, PE, PE
リール(REEL)：ポリスチレン(POLYSTYRENE)
- ELV及びRoHS適合品
ELV AND RoHS COMPLIANT

REVISED EC NO: J2010-1937 DRWN:YMORI 2010/03/25 CHKD:MATSUURA 2010/03/25 APPR:KMORIKAWA 2010/05/10	DESCRIPTION A	GENERAL TOLERANCES (UNLESS SPECIFIED)		DIMENSION STYLE MM ONLY		SCALE ---	DESIGN UNITS METRIC	THIRD ANGLE PROJECTION		
		10 UNDER	±0.2	DRAWN BY H. IIJIMA	DATE 06/01/17	TITLE EMBSTP PKG FOR 0.5 FFC TO BOARD ST TYPE				
		10 OVER 30 UNDER	±0.25	CHECKED BY K. TAKAHASHI	DATE 06/01/17	MOLEX INCORPORATED				
		30 OVER	±0.3	APPROVED BY H. HIRATA	DATE 06/01/17	DOCUMENT NO. SD-501786-003				
		ANGULAR	±3 °	MATERIAL NO. 501786-***90	SHEET NO. 1 OF 2					
		DRAFT WHERE APPLICABLE MUST REMAIN WITHIN DIMENSIONS		THIS DRAWING CONTAINS INFORMATION THAT IS PROPRIETARY TO MOLEX INCORPORATED AND SHOULD NOT BE USED WITHOUT WRITTEN PERMISSION						

10 9 8 7 6 5 4 3 2 1

引き出し方向
PULL OUT DIRECTION



SECT. Y-Y

SECT. X-X

72mm幅キャリアテープ
72mm WIDTH CARRIER TAPE

72	73.5	40.68	48.3	501786-8090	80
キャリアテープ幅 CARRIER TAPE WIDTH	C	B	A	オーダー番号 ORDER NO.	極数 CKT

REVISED EC NO: J2010-1937 DRWN: YMORI CHKD: MATSUURA APPR: KMORIKAWA 2010/03/25 2010/03/25 2010/05/10	DESCRIPTION GENERAL TOLERANCES (UNLESS SPECIFIED) 10 UNDER ± 0.2 10 OVER 30 UNDER ± 0.25 30 OVER ± 0.3 ANGULAR ± 3 ° DRAFT WHERE APPLICABLE MUST REMAIN WITHIN DIMENSIONS	DIMENSION STYLE MM ONLY		SCALE ---	DESIGN UNITS METRIC	THIRD ANGLE PROJECTION	
		DRAWN BY H. IJIMA	DATE 06/01/17	TITLE EMBSTP PKG FOR 0.5 FFC TO BOARD ST TYPE			
		CHECKED BY K. TAKAHASHI	DATE 06/01/17	MOLEX INCORPORATED			
		APPROVED BY H. HIRATA	DATE 06/01/17	MATERIAL NO. 501786-**-90	DOCUMENT NO. SD-501786-003	SHEET NO. 2 OF 2	