



Data Sheet



Product Category: Filters

| Series Number | Package | Description | Last Modified |
|---------------|----------------|---------------|---------------|
| 739 | Ceramic Filter | 450 ~ 470 KHz | Jan. 01 2007 |

Filter FEATURES

- Ceramic Filter for AM use
- Excellent matching characteristics for IFT
- RoHS Compliant



OPERATING CONDITIONS / ELECTRICAL CHARACTERISTICS / PART NUMBER GUIDE

Ceramic Filter for AM (Figure 1) In/Out Impedance = 3K ohm

| PART NO. | Center Frequency KHz | 3 dB Bandwidth KHz | Selectivity | | Insertion Loss dB max. | Composition |
|-------------|-------------------------|-----------------------|-------------|------------|---------------------------|------------------|
| | | | -9 KHz OFF | +9 KHz OFF | | |
| | | | dB min. | dB min. | | |
| 739-455-A | 455 ±2.0 | 9.5 ±3.0 | 5.0 | 3.0 | 5.0 | 1 Element |
| 739-455-B | 462 ±2.0 | 9.5 ±3.0 | 5.0 | 3.0 | 5.0 | 1 Element w/ IFT |
| 739-450-BY | 455 ±2.0 | 7.0 ±2.0 | 6.0 | 5.0 | 5.0 | |
| 739-450-BY1 | 452.5 ±2.0 | 4.5 ±1.5 | 6.0 | 8.0 | 5.0 | |

Coupling Type for AM (Figure 2) In/Out Impedance = 3K ohm

| PART NO. | Center Frequency KHz | 3 dB Bandwidth KHz | Selectivity | | Insertion Loss dB max. | Composition |
|--------------|-------------------------|-----------------------|-------------|------------|---------------------------|---------------------------------|
| | | | -9 KHz OFF | +9 KHz OFF | | |
| | | | dB min. | dB min. | | |
| 739-455-HL-C | 455.5 ±2.0 | 4.0 ±1 | 23 | 23 | 7 | 2 Elements Direct coupling type |
| 739-455-JL-C | 456 ±2.0 | 5.5 ±1 | 18 | 18 | 7 | |

Ceramic Filter for Radio Cassette Recorder (Figure 1)

| PART NO. | Center Frequency | 6 dB Bandwidth | Selectivity ±9 KHz OFF | Spurious Att (fn ±100KHz) | Insertion Loss | Pass Band Ripple |
|-------------|------------------|----------------|------------------------|---------------------------|----------------|------------------|
| | KHz | KHz min. | dB min. | dB min. | dB max. | dB max. |
| 739-450-LTA | 450 ±2.0 | 8 | 11 | 12 | 3 | 1 |
| 739-455-LTA | 455 ±2.0 | 8 | 11 | 12 | 3 | 1 |
| 739-465-LTA | 465 ±2.0 | 8 | 11 | 12 | 3 | 1 |

NOTE: Deviations on all parameters available. 450 ~ 470 center freq. available. Please consult Oscilent for details.

DEFINITIONS: Click on the characteristic names above, for definitions of the particular characteristic.

PACKAGE DIMENSIONS (mm)

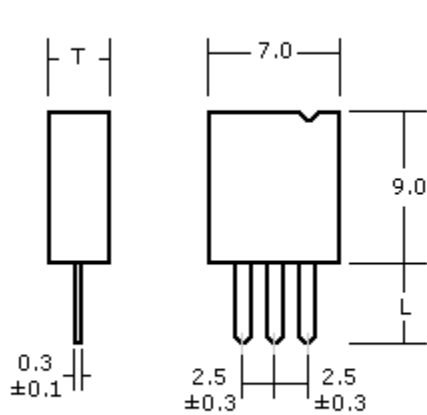


Figure 1

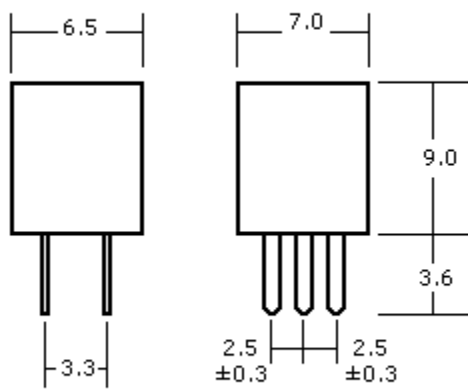
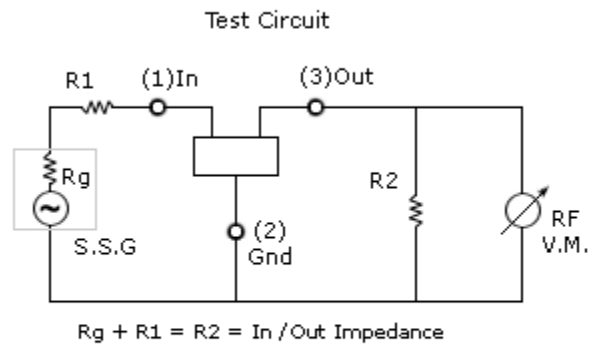
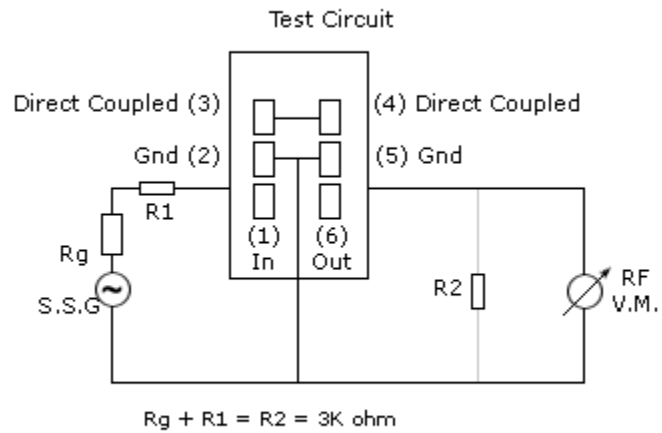


Figure 2



Oscilent Corporation - CALL **949.252.0522**
 18195 East McDermott Street . Building D . Irvine . CA 92614 . USA
 Fax: 949.252.0599 . E-Mail: Sales@Oscilent.com

Series No.: 739