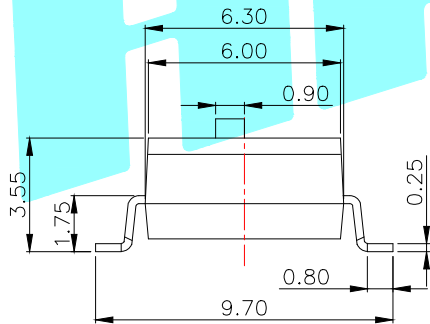
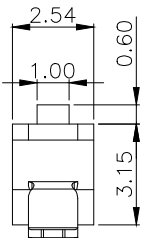


PCB Layout(Pattern Side)

凸柄(P)

短柄(S)

Position(位数)		1P
PART NO.	凸柄(P)	EM-01KP
盖子/黑色(K)	短柄(S)	EM-01KS



Circuit Diagram



NOTE:

- 1.Rating: 24V 25mA DC
- 2.Insulation Resistance: $\geq 100 \text{ M}\Omega$
- 3.Withstand voltage: AC 500V 1Minute
- 4.Operating Force Range: 800gf Max
- 5.Mechanical Life: 3,000 Cycles
- 6.Operating Temperature range $-20^{\circ}\sim+70^{\circ}\text{C}$
- 7.Ambient Humidity used: $\leq 85\%RH$

④	Terminal	—	2	Phosphor bronze	Au Plating	—
③	Base	—	1	PBT	Black	—
②	Cover	—	1	PBT	Black	—
①	Keystoke	—	1	PBT	White	—
ITEM	PART NAME	TER'NO.	QTY.	MATERIAL	FINISHING	REMARK

APPROVALS		DATE		 ELECTRONICS CO.,LTD		
DRAWN	J.X.Zhang	2020/05/08				
CHECKED				TITLE:	MULTIFUNCTIONAL SWITCHES	
APPROVALS				PART NO.	EM-01□□	
TOLERANCES ARE			30~以上 10~30 5~10 ~ 5	± 0.30 ± 0.20 ± 0.15 ± 0.10	ANGLE	$\pm 2^{\circ}$
UNIT:	mm	SCALE:	1:1	PROJECT:		
DRAWING NO.				SHEET 1 OF 1		

_____	A	_____	NEW	_____	_____	_____
ECN NO.	REV.	DATE.	DESCRIPTION.	CHANGE.	CHECK.	APPRO.