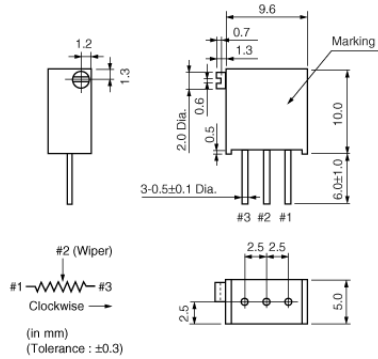


PV36X101C01B00



Appearance & Shape



Features

1. High resolution 25-turns potentiometer enables precision adjustment easily.
2. Sealed construction protects the interior from dust and liquid, which achieves stable performance.
3. Available for ultrasonic cleaning after soldering.
4. Clutch mechanism prevents excessive wiper rotation.

Packaging Information

| Packaging | Specifications | Minimum Order Quantity |
|-----------|----------------|------------------------|
| B00 | Bulk(Bag) | 100 |

Attention

1. This datasheet is downloaded from the website of Murata Manufacturing Co., Ltd. Therefore, its specifications are subject to change or our products may be discontinued without advance notice. Please check with our sales representatives or product engineers before ordering.
 2. This datasheet has only typical specifications because there is no space for detailed specifications.
 Therefore, please review our product specifications or consult the approval sheet for product specifications before ordering.

PV36X101C01B00

Specifications

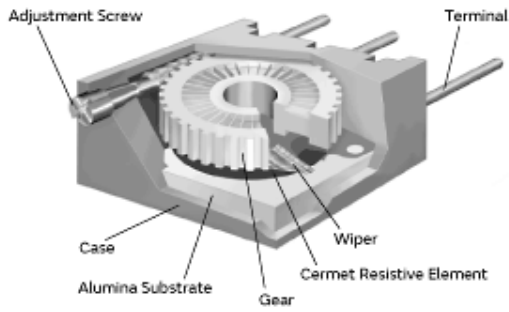
| | | | |
|--|--|---------------------------------|----------------|
| Power Rating | 0.5W | Measure Condition of RatedPower | 70°C |
| Shape | Lead | Operating Temperature Range | -55°C to 125°C |
| Maximum Working Voltage | 300Vdc | Mass | 1g |
| Adjustment Direction | Side | | |
| Size | 10mm | | |
| Auto Adjustment | No | | |
| Number of Turns (Effective Rotation Angle) | 25 | | |
| Mechanical Rotation Angle | - | | |
| Total Resistance Value | 100Ω | | |
| Total Resistance Value Tolerance | ±10% | | |
| Temperature Coefficient of Resistance | ±150ppm/°C | | |
| Resistance Taper | B (Linear) | | |
| Contact Resistance Variation | Less than 3% of total resistance value or 3ohm, whichever is greater | | |
| Residual Resistance | 2ohm max. | | |
| Soldering Method | Flow Soldering Iron | | |
| Torque | 14.7mN·m max. | | |

Attention

1.This datasheet is downloaded from the website of Murata Manufacturing Co., Ltd. Therefore, it's specifications are subject to change or our products in it may be discontinued without advance notice. Please check with our sales representatives or product engineers before ordering.
2.This datasheet has only typical specifications because there is no space for detailed specifications.
Therefore, please review our product specifications or consult the approval sheet for product specifications before ordering.

PV36X101C01B00

Product Data



Constructions

Attention

1.This datasheet is downloaded from the website of Murata Manufacturing Co., Ltd. Therefore, it's specifications are subject to change or our products in it may be discontinued without advance notice. Please check with our sales representatives or product engineers before ordering.
2.This datasheet has only typical specifications because there is no space for detailed specifications.
Therefore, please review our product specifications or consult the approval sheet for product specifications before ordering.