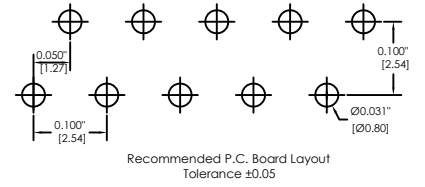
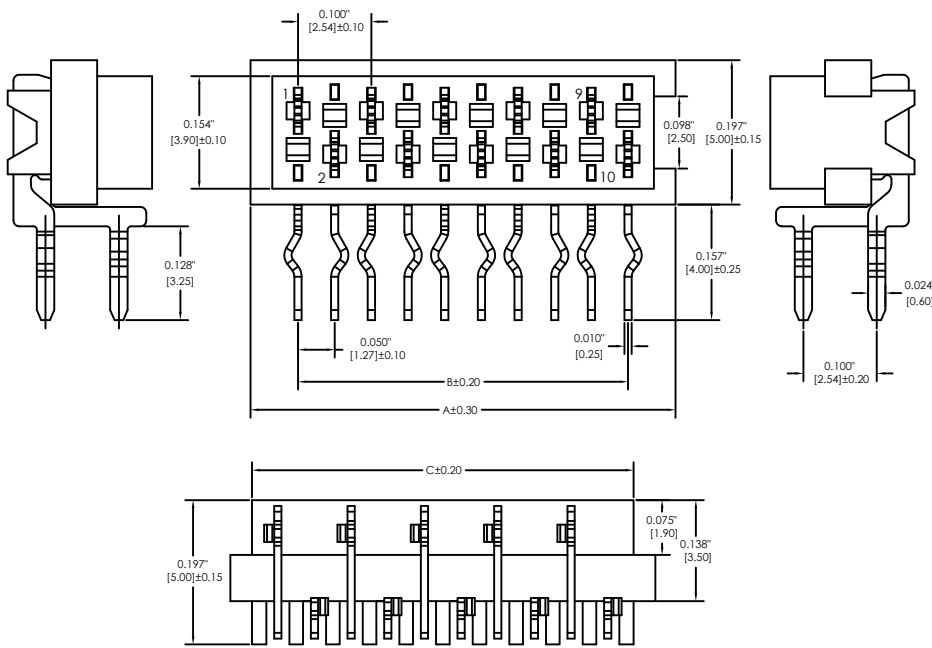


Major League Electronics .050" Staggered cl Female on Board Side Entry Connector - Thru Hole



Pins Per Row	Dimension			Qt'y / Tube
	A	B	C	
2	7.00	3.81	5.60	82
3	9.54	6.35	8.14	60
4	12.08	8.89	10.68	48
5	14.62	11.43	13.22	39
6	17.16	13.97	15.76	33
7	19.70	16.51	18.30	29
8	22.24	19.05	20.84	26
9	24.78	21.59	23.38	23
10	27.32	24.13	25.92	21

Ordering Information

MICRO - 02 - XX - LF

Pins Per Row _____ Lead Free
02, 03, 04, 05, 06, 07, 08, 09, 10

Specification

Electrical:

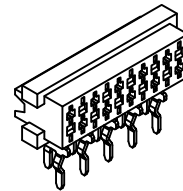
Rated Current: 1.0AMP
Contact Resistance: 20mΩ max
Withstand Voltage: 500V AC/DC
Insulation Resistance: 1000MΩ min
Operation Temperature: -40°C to +105°C

Material:

Contact Material: Phosphor Bronze
Contact Plating: Sn Over Ni
Insulator Material: High Temperature Plastic PA46 (UL94V-0), Red
Packing: Tube without Pick and Place Pad

Termination:

PCB



Mates with:
MICRO-05 (Wire to Board),
MICRO-06 (Board to Board),
MICRO-07 (Board to Board)

Products cut to specific sizes are uncancellable/nonreturnable

Parts are subject to change without notice

MICRO-02 SERIES

.050" Staggered cl Female on Board Side Entry Connector
Thru Hole Right Angle With Kinked Pins & Polarization

26 AUG 10

Scale
NTS

UNLESS OTHERWISE SPECIFIED
DIMENSIONS IN INCHES [MM]
TOLERANCES ARE:

ONE PLACE DECIMALS ±.100
TWO PLACE DECIMALS ±.010
THREE PLACE DECIMALS ±.005
FOUR PLACE DECIMALS ±.0020
ANGLES
±.5°



4235 Earnings Way, New Albany, Indiana, 47150, USA
1-800-782-3486 (USA/Canada/Mexico)
Tel: 812-944-7244
Fax: 812-944-7268
E-mail: mle@mlelectronics.com
Web: www.mlelectronics.com

Revision
B

Sheet
1/2

Revisions

Revision B - (12th May 2011)

Amendment to part number for entire series,
Total Pins has been changed to Pins Per Row.

Therefore MICRO-XX-04 is now MICRO-XX-02
(4 total pins now equals 2 pins per row in part number).

Was:

Total Pins
04, 06, 08, 10, 12, 14, 16, 18, 20

Now:

Pins Per Row
02, 03, 04, 05, 06, 07, 08, 09, 10

Products cut to specific sizes are uncancellable/nonreturnable Parts are subject to change without notice

UNLESS OTHERWISE SPECIFIED DIMENSIONS IN INCHES [MM] TOLERANCES ARE: ONE PLACE DECIMALS ±.100 TWO PLACE DECIMALS ±.010 THREE PLACE DECIMALS ±.005 FOUR PLACE DECIMALS ±.0020 ANGLES 	MICRO-02 SERIES	.050" Staggered cl Female on Board Side Entry Connector Thru Hole Right Angle With Kinked Pins & Polarization	26 AUG 10	Scale NTS
	4235 Earnings Way, New Albany, Indiana, 47150, USA 1-800-782-3486 (USA/Canada/Mexico) Tel: 812-944-7244 Fax: 812-944-7268 E-mail: mle@mlelectronics.com Web: www.mlelectronics.com			Revision B
				Sheet 2/2

