

6

5

4

3

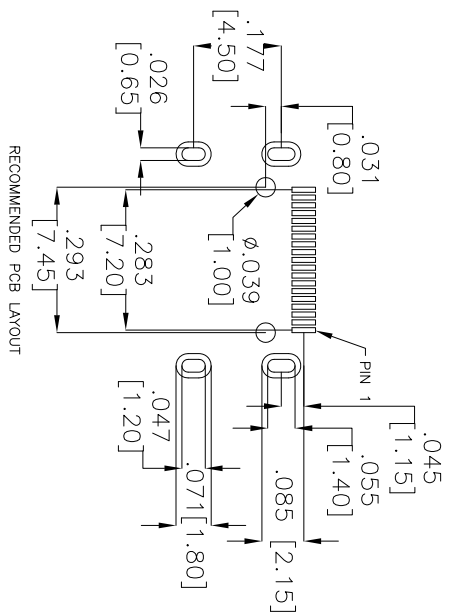
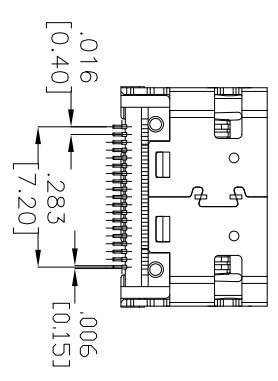
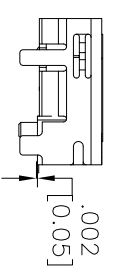
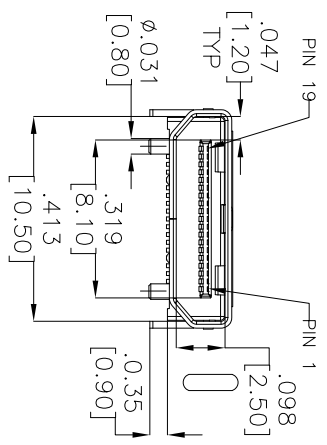
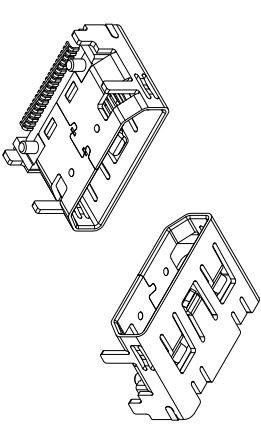
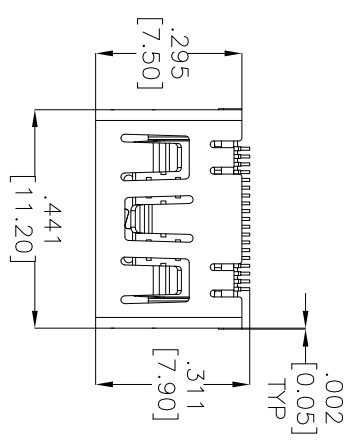
2

1

Rev	AWO #	Description	Date	Appr
-		RELEASED	10/05/09	

APPROVED: \_\_\_\_\_

DATE: \_\_\_\_\_ TITLE: \_\_\_\_\_



RECOMMENDED PCB LAYOUT

**SPECIFICATIONS:**

**Material:**

Housing: LCP, UL 94V-0

Housing color: Black

Contact: Phosphor Bronze

Shield: Brass

**Plating:**

Gold flash over Nickel underplate on contact area,

Tin over Copper underplate on tails.

**Electrical:**

Dielectric strength: 250VAC for 1 minute min.

Insulation resistance: 100 Megohm min.

Contact resistance: 30 mohms max.

**Environmental:**

Lead free, RoHS Compliant

Recommended soldering temp: 260°C for 5 seconds.



UNLESS OTHERWISE SPECIFIED  
ALL DIMENSIONS ARE INCHES [MM]  
TOLERANCES: EXCEPT AS NOTED

.X	± .10	ØX	± .10
.XX	± .020	ØXX	± .015
.XXX	± .015	ØXXX	± .010
.XXX	± .015	ØXXX	± .010

APPROVALS

DRAWN DY 10/05/09

CHECKED

APPROVED

# ADAM TECH

909 Railway Avenue, Union, NJ 07083  
Phone: 908-687-5000 Fax: 908-687-5710

TITLE: MINI HDMI CONNECTOR, RIGHT ANGLE, SMT TYPE

SIZE	PART NO.	REV.
X	MHDMI-S-RA-SMT	-
REF:	SCALE: NTS	SHEET 1 OF 1

6

5

4

3

2

1