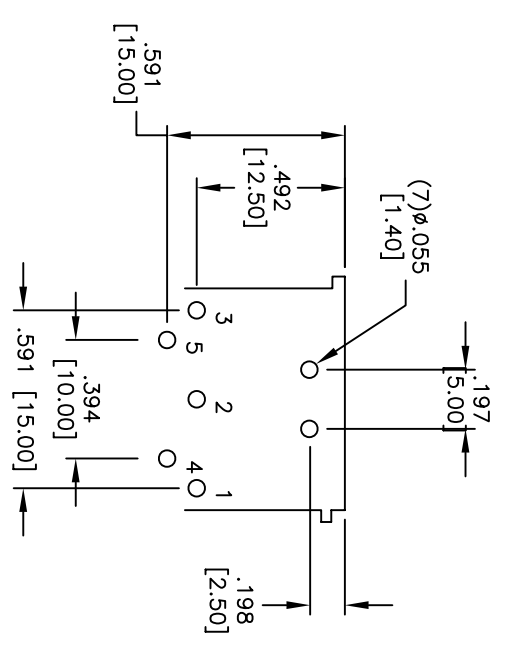
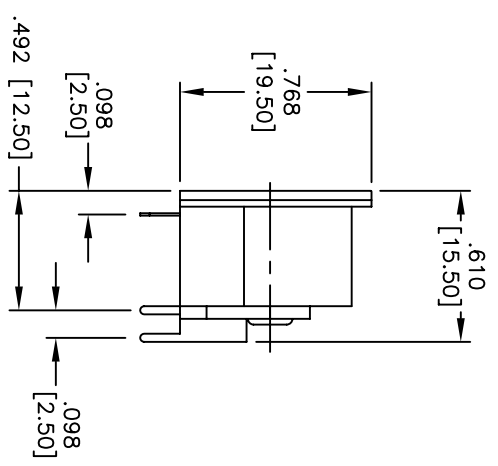
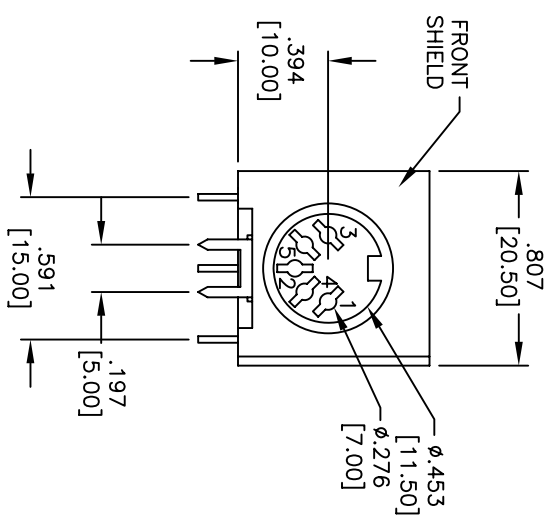


APPROVED: \_\_\_\_\_  
 DATE: \_\_\_\_\_ TITLE: \_\_\_\_\_

Rev	AWO #	Description	Date	Appr
-		RELEASED	12/21/04	
A		CORRECTED DIMENSIONS	10/30/06	



**SPECIFICATIONS:**  
 Material: Insulator: PBT, Glass filled, rated UL 94V-0  
 Insulator color: Black  
 Contacts: Brass  
 Shield: Copper Alloy, Bright Nickel plated  
 Plating: Tin over Copper underplate  
 Electrical:  
 Operating voltage: 20 VDC max.  
 Current rating: 2 Amps max.  
 Contact resistance: 20 mohms max. initial  
 Insulation resistance: 500 Mohms min.  
 Dielectric withstanding voltage: 1,000 VAC for 1 minute  
 Temperature Rating: Operating temperature: -25°C to +100°C  
 Environmental:  
 Lead free, RoHS Compliant  
 Recommended soldering temp: 235°C for 5 seconds

UNLESS OTHERWISE SPECIFIED ALL DIMENSIONS ARE IN INCHES [MM]	
TOLERANCES: EXCEPT AS NOTED	
INCHES	HOLDS
.X ± .10	ØX ± .10
.XX ± .020	ØXXX ± .015
.XXX ± .015	ØXXX ± .010
APPROVALS	DATE
DRAWN	SS
CHECKED	
APPROVED	

**ADAM TECH**  
 909 Rahway Avenue, Union, NJ 07083  
 Phone: 908-687-5000 Fax: 908-687-5710

TITLE: **DIN JACK, 5 POSITIONS, SHIELDED, .197 [5.00] CENTERLINE FRONT PINS**

SIZE: X PART NO.: DJ-005-S.5 SCALE: NTS SHEET 1 OF 1