

COUNT	DESCRIPTION OF REVISIONS	BY	CHKD	DATE	COUNT	DESCRIPTION OF REVISIONS	BY	CHKD	DATE

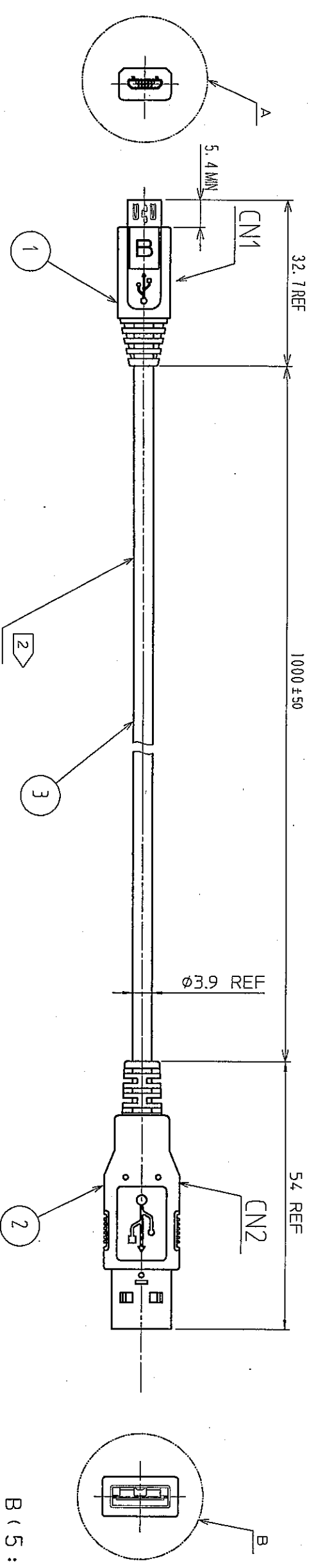
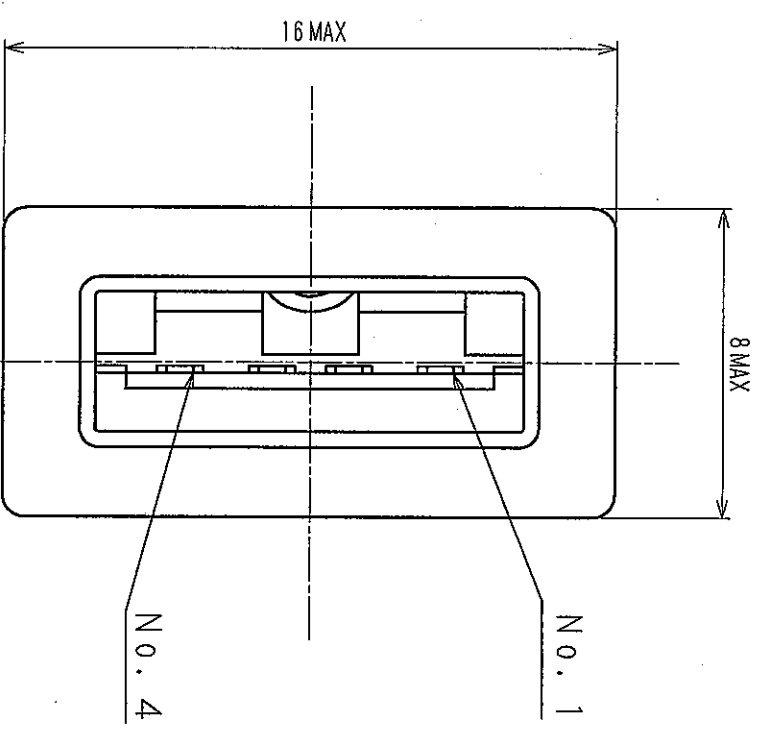
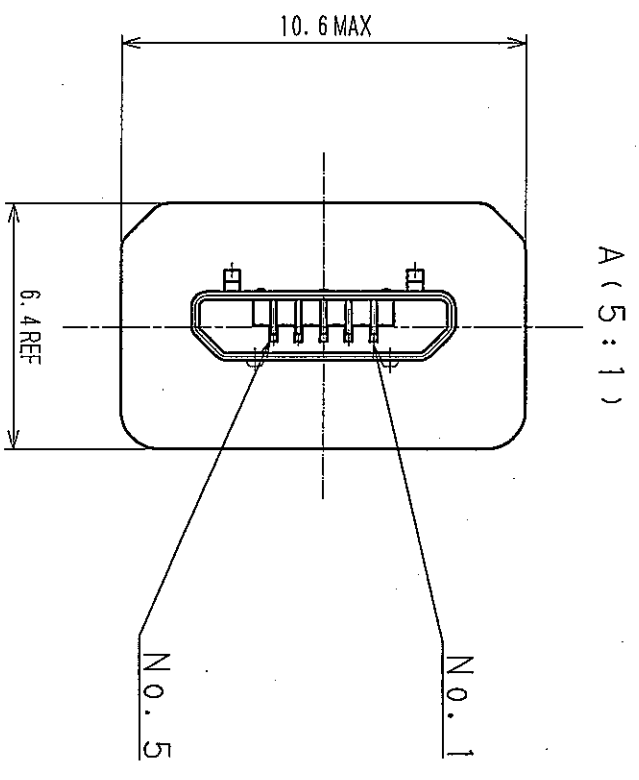


TABLE 1 WIRING DIAGRAM

CN1 CONTACT No.	1	2	3	4	5	SHELL
SIGNAL	VCC	DATA -	DATA +	NON WIRING	GND	BRAIDED WIRE + DRAIN WIRE
WIRING COLOR	RED	WHITE	GREEN		BLACK	
CN2 CONTACT No.	1	2	3		4	SHELL



NOTES
 1 REFER TO TABLE-1 FOR WIRING OF CN1 AND CN2.
 2 THIS PRODUCT IS USING THE USB CABLE(USB2.0 1PXAWG28 + 2CXAWG28)

1	CONNECTOR	ZX40-B-5S	FINISH, REMARKS	3	INTERFACE CABLE	2	CONNECTOR	STD A PLUG	2	BLACK	
NO.	MATERIAL			NO.	MATERIAL						
CODE NO.(OLD)		DRAWN		DESIGNED		CHECKED		APPROVED		RELEASED	
CL		Miyama		R. Koyama		S. Shimizu		S. Shimizu		07.1.11	
DRAWING FOR REFERENCE This is subject to change without notice.											
SCALE		DRAWING NO.		PART NO.		CODE NO.		CODE NO.		DEPT.	
1 : 1		TEDC3-123632		ZX40-B-5S-1000-STDA		CL		CL		07.1.11	
UNITS		HRS		HROSE ELECTRIC CO., LTD		1		1		1	

TO