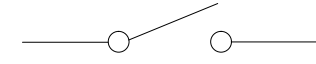
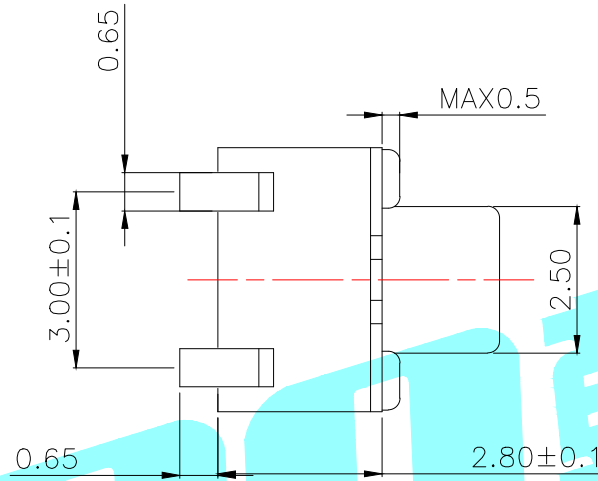
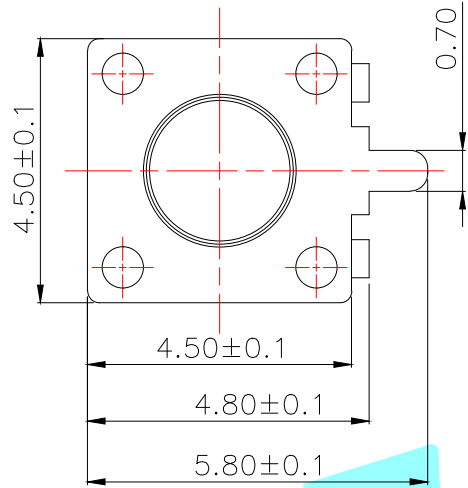


ROHS



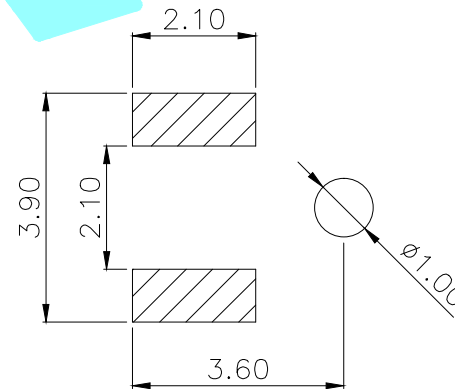
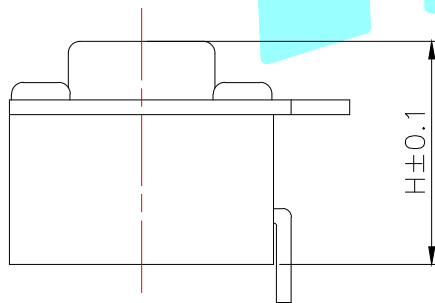
Circuit diagram



NO.1	
PART NO	H
A	3.8
B	4.3
C	4.5
D	5
E	5.5
F	6
G	6.5
H	7
I	7.5
J	8
K	8.5
L	9
M	10

NO.2	
PART NO	vigor
3	180±30
4	250±40

NO.3-NO.4	
PART NO	NOTE
01~99	SERIAL NUMBER



PCB Layout

Travel: 0.25±0.1mm
Life: 100,000 Cycles

⑤	Terminal	—	2	Brass(0.30t)	Plating silver	—
④	Contact	—	1	F.Ag/SUS	—	—
③	Base	—	1	PPA	Black	—
②	Cover	—	1	SPCC	Plating Sn	—
①	Keystoke	—	1	PPA	Black	—
ITEM	PART NAME	TER'NO.	QTY.	MATERIAL	FINISHING	REMARK

APPROVALS		DATE	HRO 韓泰® ELECTRONICS CO.,LTD			
DRAWN	LIUCAN	2021.5.19	TITLE:	TACT SWITCHS		
CHECKED			PART NO.	K2-1109SE-□□SW-□□		
APPROVALS			UNIT: mm	SCALE: 1:1	PROJ:	
TOLERANCES ARE		30~以上 ±0.30	ANGLE	DRAWING NO.	SHEET 1 OF 1	
		10~30 ±0.20	±2'			
		5~10 ±0.15				
		~ 5 ±0.10				

ECN NO.	REV	DATE.	DESCRIPTION.	CHANGE.	CHECK.	APPRO.
—	A	—	NEW	—	—	—