



NEW!

Mid-Span PoE Plus Magnetics

For 2-Line Systems

This device contains two injector coils designed for 30 Watt PoE applications. Return loss exceeds the requirements of 802.3af specification for the entire frequency range. It maintains OCL of 350 μH up to 20 mA at +85°C ambient.

Request free evaluation samples by contacting Coilcraft or visiting www.coilcraft.com.

Part number ¹	Inductance min ² (μH)	Leakage inductance ³ max (μH)	DCR ⁴ (Ohms)
FA2536-AL	675.0	0.55	0.240

1. When ordering, please specify **packaging** code:

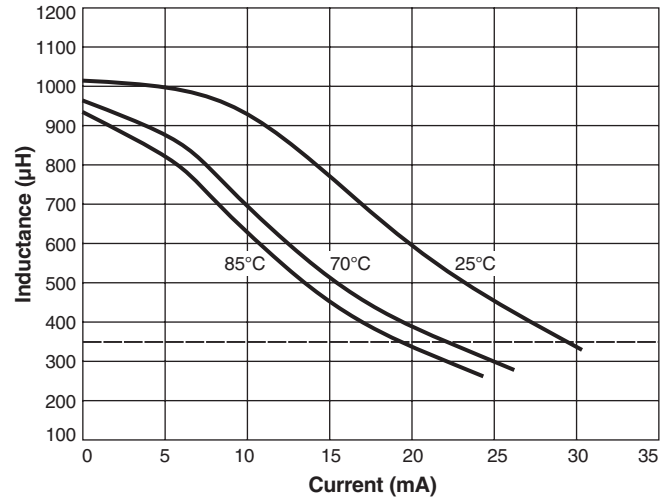
FA2536-AL D

Packaging: D = 13" machine-ready reel. EIA-481 embossed plastic tape (400 parts per full reel).

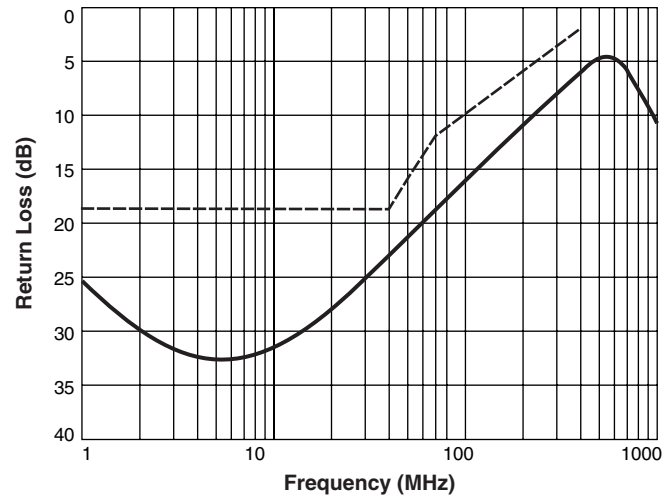
B = Less than full reel. In tape, but not machine ready. To have a leader and trailer added (\$25 charge), use code letter D instead.

- Inductance measured between pins 1 – 3 and between pins 4 – 6 at 100 kHz, 0.1 Vrms, 0 Adc using an Agilent/HP 4284A impedance analyzer.
- Leakage inductance is measured between pins 2 and 3 with pins 1 and 3 shorted and between pins 5 and 6 with pins 4 and 6 shorted.
- DCR is measured between pins 1 – 3 and between pins 4 – 6.
- Operating temperature range –40°C to +85°C.
- Electrical specifications at 25°C.

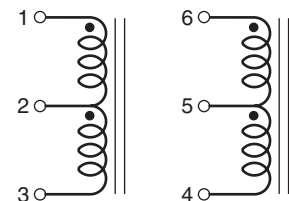
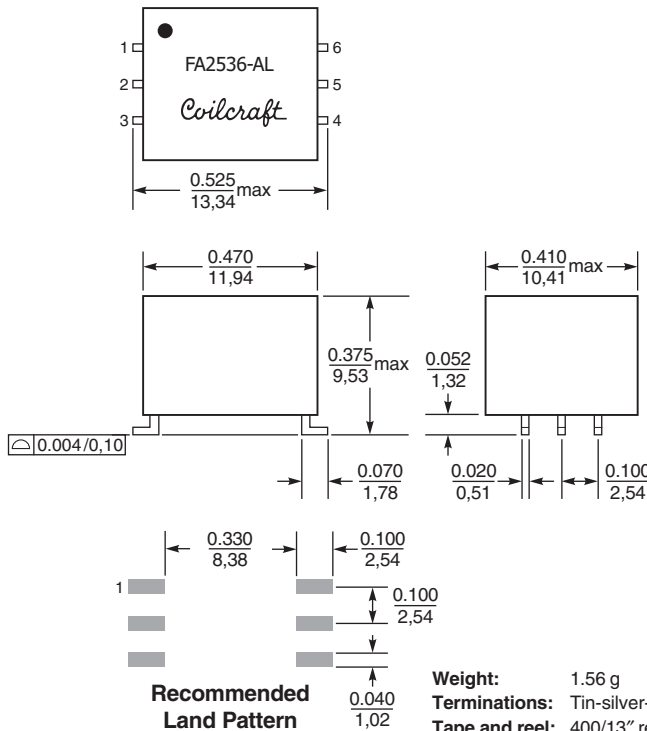
Inductance vs Current



Return Loss



802.3af specification:
 18 dB min from 1 MHz to 40 MHz
 16 dB min at 50 MHz
 12 dB min at 80 MHz
 10 dB min at 100 MHz



Specifications subject to change without notice. Please check our website for latest information.

Document 564 Revised 12/06/06

1102 Silver Lake Road Cary, Illinois 60013 Phone 847/639-6400 Fax 847/639-1469

E-mail info@coilcraft.com Web <http://www.coilcraft.com>