

# PRODUCT DATA DRAWING

REVISION HISTORY			
REV	DESCRIPTION	DATE	APPROVED
A	REV. DCN 32852	03/05	VMJ

## MATERIALS:

INSULATORS: PTFE PER ASTM D1710, TYPE 1  
GRADE 1, CLASS B.

BODIES: BRASS PER ASTM B16,  
ALLOY UNS C36000, H02

CONTACT: BERYLLIUM COPPER PER ASTM B196,  
ALLOY C17300, COND. TD04

SHRINK TUBING: POLYOLEFIN PER SAE-DTL-23053/5-105-0

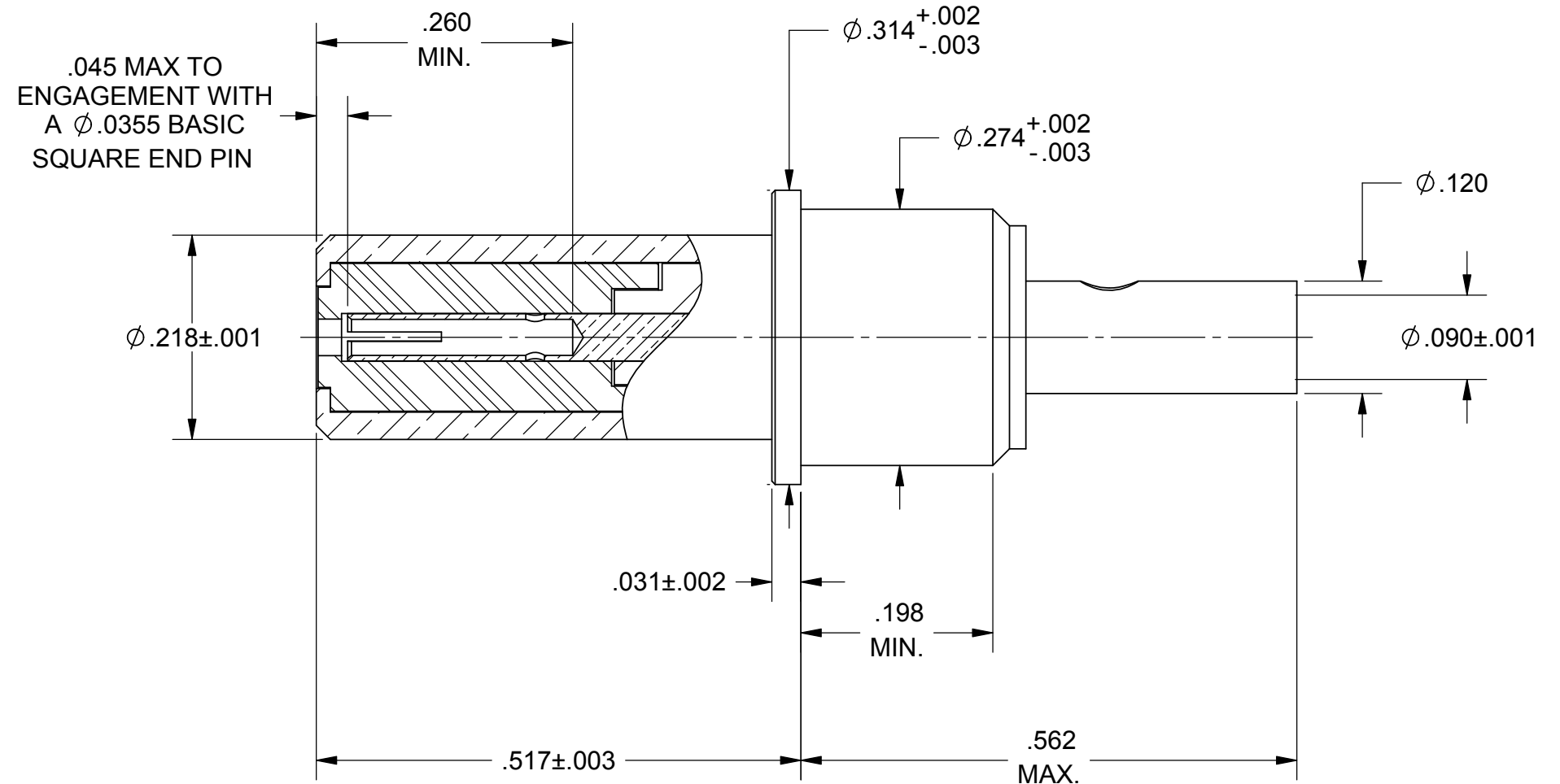
## FINISHES:

BODIES &  
CONTACT: GOLD PER ASTM B488, TYPE II,  
GRADE C, CLASS 1.27 OVER NICKEL  
PER AMS-QQ-N-290 CLASS 1, .00005" MIN.

## ELECTRICAL:

IMPEDANCE: 50 OHMS  
FREQ. RANGE: DC TO 3 GHz  
INSUL. RES.: 5,000 MEGOHMS MIN.  
D.W.V: 1,000 VRMS MIN.  
VSWR: 1.20 + .04 X F IN GHz  
INSERTION LOSS: .11 X SQUARE ROOT OF F(GHz)

(MAX FREQ. CAN BE LIMITED BY CABLE)



REF. AS39029/60 &  
MIL-DTL-38999 SERIES III

MATERIAL: SEE ABOVE	DIMENSIONS ARE IN INCHES TOLERANCES: FRACTIONAL: ±1/64 ANGULAR: X° ±1'0" X*X' ±15'	UNLESS OTHERWISE SPECIFIED 1) ALL DIMENSIONS ARE AFTER PLATING. 2) BREAK CORNERS & EDGES .005 R. MAX. 3) CHAM. 1ST & LAST THREADS. 4) SURFACE ROUGHNESS 63 √ MIL-STD-10. 5) DIA.'S ON COMMON CENTERS TO BE CONCENTRIC WITHIN .005 T.I.R. 6) REMOVE ALL BURRS	<b>SV Microwave, Inc.</b> 2400 Centrepark West Drive, Suite 100 West Palm Beach, FL 33409 TITLE: <b>SIZE 8 PIN FOR T-FLEX 405 CABLE</b>
FINISH: SEE ABOVE	DECIMAL: .X ±.030 .XX ±.010 .XXX ±.005	INTERPRET DIMENSIONS AND TOLERANCES PER ASME Y14.5M - 1994	
<b>PROPRIETARY</b> THE INFORMATION CONTAINED IN THIS DRAWING IS THE SOLE PROPERTY OF SV MICROWAVE, INC. ANY REPRODUCTION IN PART OR AS A WHOLE WITHOUT THE WRITTEN PERMISSION OF SV MICROWAVE, INC IS PROHIBITED.	THIRD ANGLE PROJECTION	DRAWN: VMJ 02/01/05	SIZE CAGE CODE DWG. NO. <b>B 95077 8001-4107</b>
		CHECKED: JMC 02/03/05	SCALE: 6:1
		APPROVED: JMC 02/03/05	SHEET 1 OF 1
		E.M. SIMULATION: N/A	