

# KGEA BFCAM

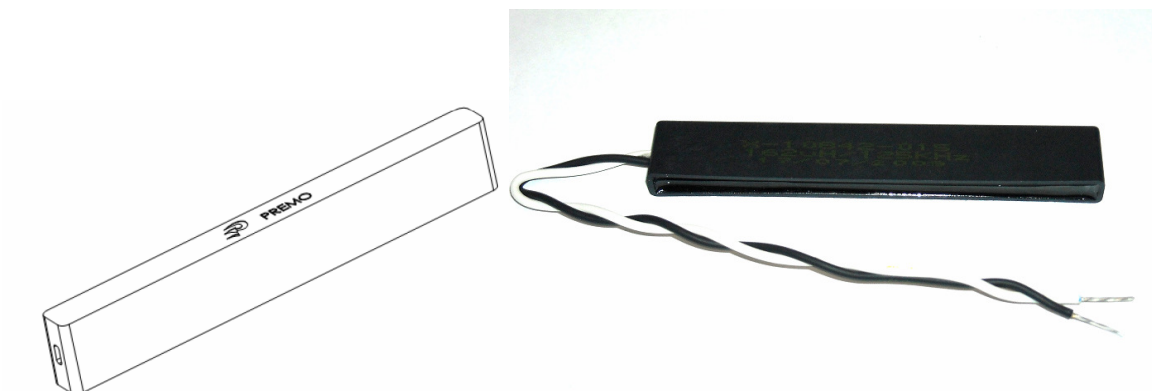
## Emitter Antenna Low Profile 85x13x7mm

### Housing plastic base-potted and outside connector unsealed & sealed

C/Severo Ochoa 33 - Parque Tecnológico de Andalucía. 29590 Campanillas. Málaga (Spain) Phone +34 951 231 320 Fax +34 951 231 321  
E-mail: [info@grupopremo.com](mailto:info@grupopremo.com) Web <http://www.grupopremo.com>

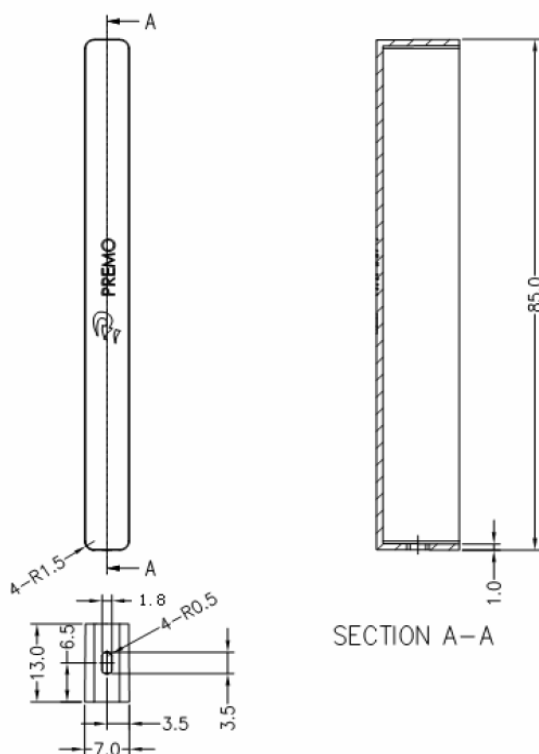
## 1. Features

- Ideally used access and start Hand Free subsystem for Passive Entry keyless Go System Requirements for automotive application.



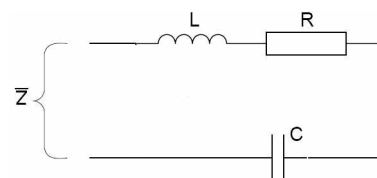
**Connector:** Optional Unsealed & Sealed

## 2. Dimensions



L > 20mm tolerance  $\pm 0.5\text{mm}$   
 $10 < L \leq 20\text{mm}$  tolerance  $\pm 0.2\text{mm}$   
 $L \leq 10\text{mm}$  tolerance  $\pm 0.1\text{mm}$

## 3. Schematic Diagram



L: Ferrite core coil inductance  
R: Copper resistance and connection  
C: Tuning internal capacitor NPO  
Z: External impedance

# KGEA BFCAM

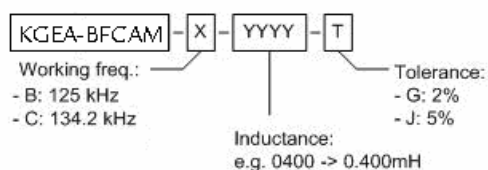
## Emitter Antenna Low Profile 85x13x7mm

### Housing plastic base-potted and outside connector unsealed & sealed



C/Severo Ochoa 33 - Parque Tecnológico de Andalucía. 29590 Campanillas. Málaga (Spain) Phone +34 951 231 320 Fax +34 951 231 321  
E-mail: [info@grupopremo.com](mailto:info@grupopremo.com) Web <http://www.grupopremo.com>

#### 4. Nomenclature:



#### 5. Functional Performance:

**Typical Operating Frequencies fo:** 125 kHz and 134 kHz.

**Temperature Range:** -40 °C -> +85 °C.

**Storage temperature:** -40 °C -> +105 °C

**Antenna Current:** MAX 2.8App, Duty 30%

**Tolerances:** (fo ± 2% @ 25°C and fo ± 5% @ [-40°C to 85°C] )

**Products comply with RoHS requirements.**

**This part is according to AEC-Q200 Revision C.**

#### 6. Electrical Characteristics

##### KGEA-BFCAM

Code	L (mH)	Q min	Freq (KHz)	SRF Coil (Mhz)	Length (mm)	Width (mm)	Height (mm)
KGEA-BFCAM-B-0345J	0.345	115	125	>3	85	13	7
KGEA-BFCAM-B-0500J	0.500	115	125	>3			
KGEA-BFCAM-C-0207J	0.207	100	134,2	>3			
KGEA-BFCAM-C-0426J	0.426	100	134,2	>3			

# KGEA BFCAM

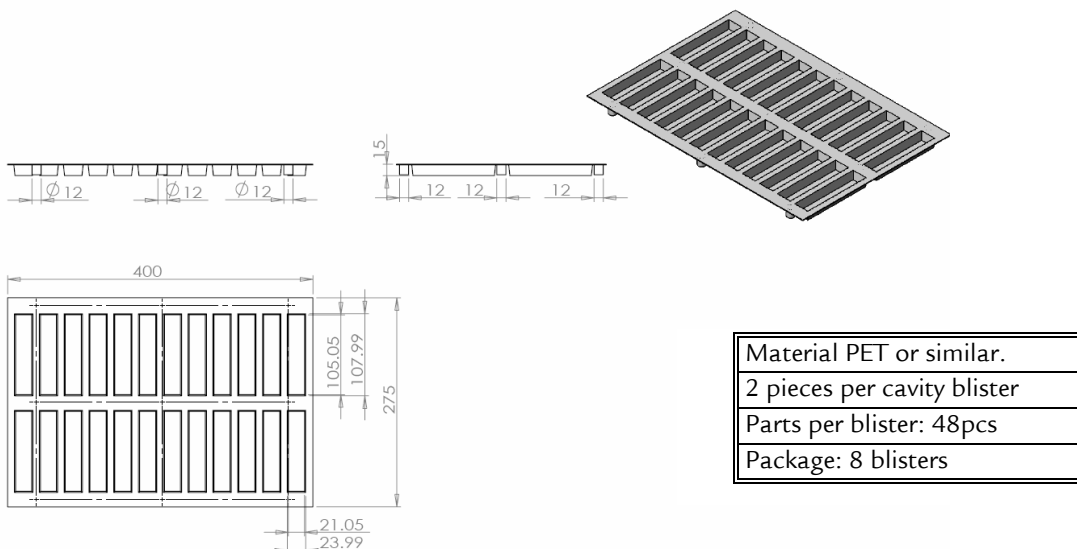
## Emitter Antenna Low Profile 85x13x7mm

### Housing plastic base-potted and outside connector unsealed & sealed

C/Severo Ochoa 33 - Parque Tecnológico de Andalucía. 29590 Campanillas. Málaga (Spain) Phone +34 951 231 320 Fax +34 951 231 321  
E-mail: [info@grupopremo.com](mailto:info@grupopremo.com) Web <http://www.grupopremo.com>

## 7. Packaging information

### BLISTER SPECIFICATION (All Dimensions in mm)



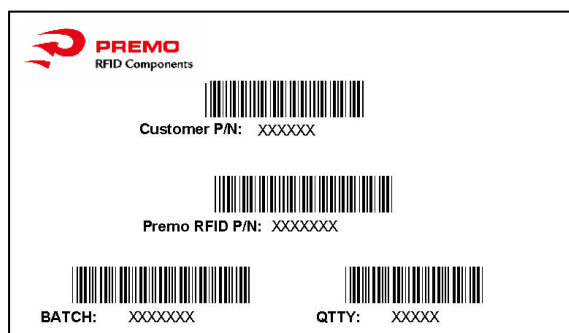
## 8.- Printing and Labelling

### PART PRINTING

PART NUMBER

BATCH/DATE

### PACKAGE LABELLING



Edition	Revision Date
1	07/08/09