

Model:D4615-111

characteristics:

Applicable for circuit of triggering pulse train

Technical indicators:

Installation method: PCB

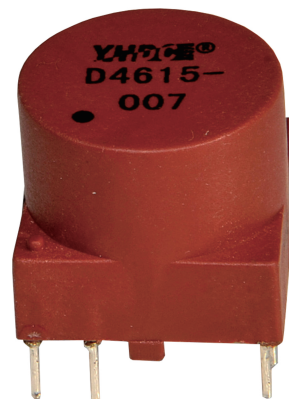
Flame resistance: UL94-V0

Operating temperature: $-25^{\circ}\text{C} \sim +85^{\circ}\text{C}$

Storage temperature: $-45^{\circ}\text{C} \sim +85^{\circ}\text{C}$

Frequency range: 15KHz~200KHz

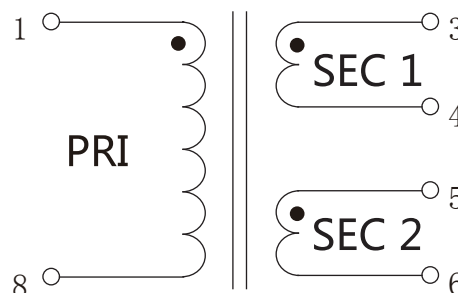
Dielectric strength: 5KV 50Hz 1min



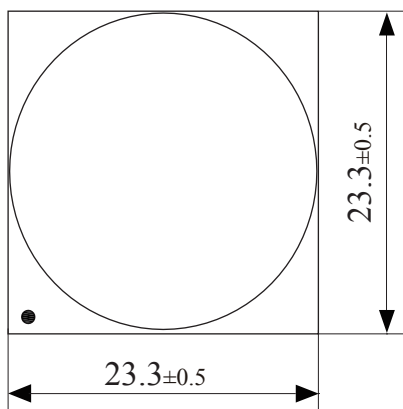
Electrical parameters:

Vout microsecond integral	225	μVs
Pulse width (D=1:2)	30	μs
Ratio	1 : 1 : 1	
Input amplitude	15	V
Output amplitude	≥ 13	V
Load impedance	100	Ω
Leading edge time	≤ 0.3	μs
Main circuit operating voltage	400	V
Weight		g

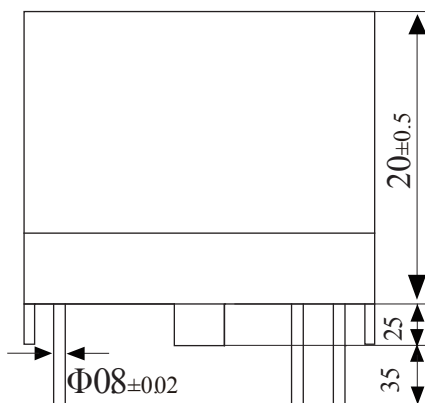
Connection diagram:



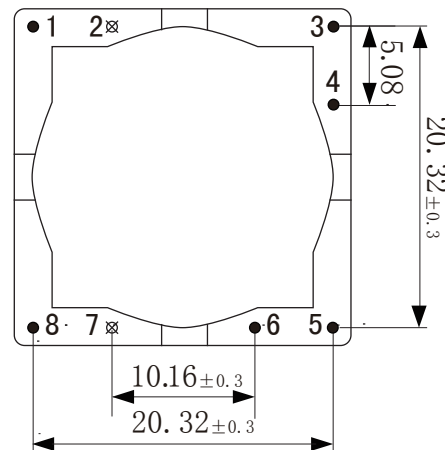
Dimensions (in mm) :



Front View



Side View



Bottom View