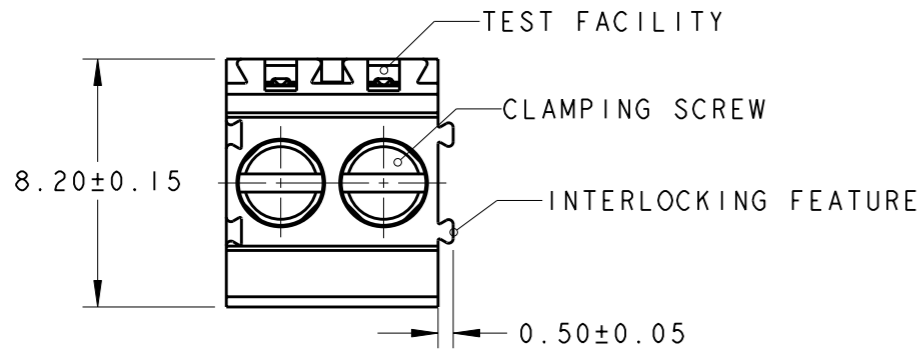


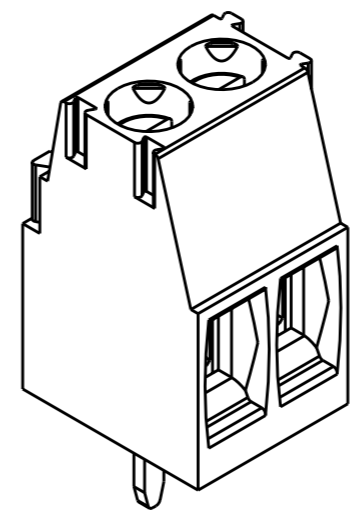
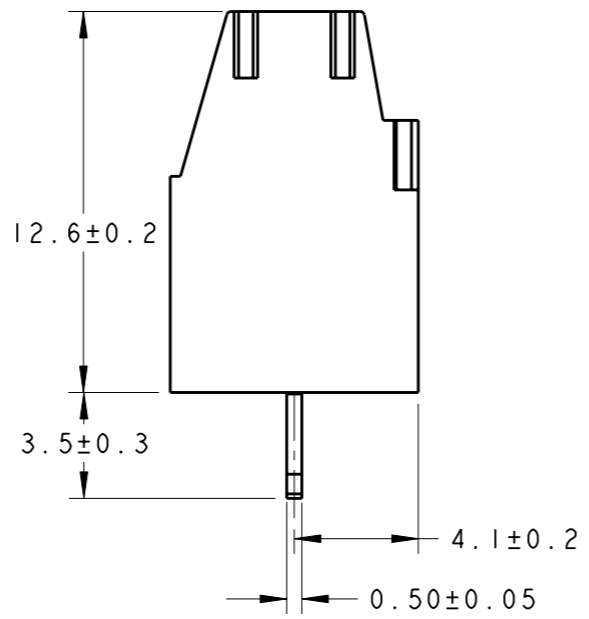
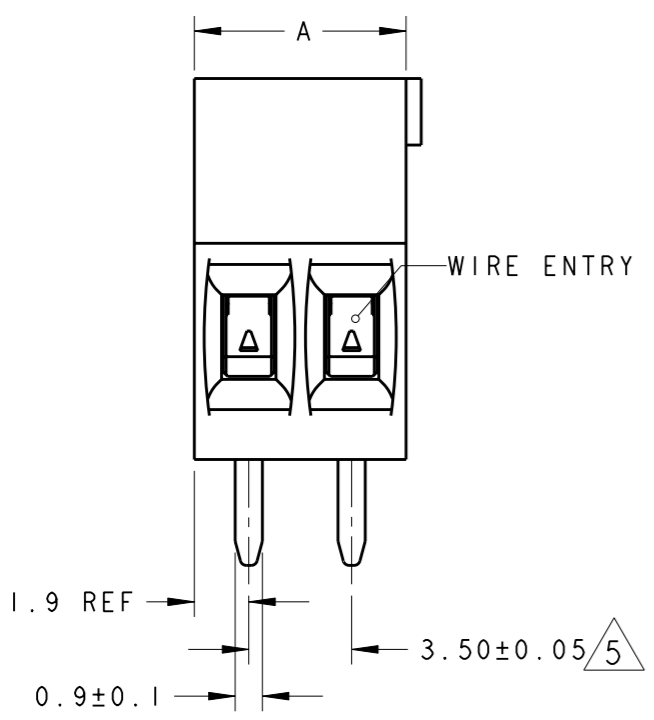
THIS DRAWING IS UNPUBLISHED. RELEASED FOR PUBLICATION 20
 © COPYRIGHT 20 BY TYCO ELECTRONICS CORPORATION. ALL RIGHTS RESERVED.

LOC	DIST	REVISIONS			
P	LTR	DESCRIPTION	DATE	DWN	APVD
FT	0	B3	REVISD PER ECO-08-016314	03JUL2008	HMR CR



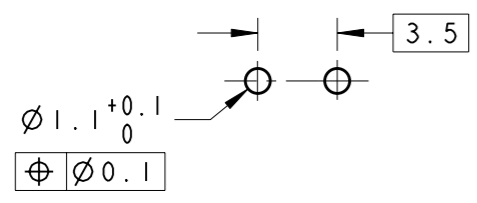
- 1 MATERIALS AND FINISH
 HOUSING : PA 6.6, UL 94-V0, COLOR GREEN.
 CLAMP : BRASS, NICKEL PLATED
 TERMINAL : BRASS, TIN PLATED
 CLAMPING SCREW : M3, BRASS, NICKEL PLATED
- 2. SUITABLE FOR 1.6-2.4 mm. PC BOARD THICKNESS.
- 3. END-TO-END STACKABLE W/INTERLOCK WITHOUT LOSS OF CENTERLINE SPACING
- 4. WIRE SIZE RANGE: 14 - 30 AWG
- 5 NOT CUMULATIVE TOLERANCE
- 6 CAGE CLAMPS TO BE IN THE CLOSED POSITION.

DIM "A"	NO OF POS.	PART NUMBER
14.0	4	2-284391-8
10.5	3	2-284391-7
7.0	2	2-284391-6
87.5	25	2-284391-5
84.0	24	2-284391-4
80.5	23	2-284391-3
77.0	22	2-284391-2
73.5	21	2-284391-1
70.0	20	2-284391-0
66.5	19	1-284391-9
63.0	18	1-284391-8
59.5	17	1-284391-7
56.0	16	1-284391-6
52.5	15	1-284391-5
49.0	14	1-284391-4
45.5	13	1-284391-3
42.0	12	1-284391-2
38.5	11	1-284391-1
35.0	10	1-284391-0
31.5	9	284391-9
28.0	8	284391-8
24.5	7	284391-7
21.0	6	284391-6
17.5	5	284391-5
14.0	4	284391-4
10.5	3	284391-3
7.0	2	284391-2



284391-2 AS SHOWN

RECOMMENDED PC BOARD LAYOUT



<small>THIS DRAWING IS A CONTROLLED DOCUMENT FOR TYCO ELECTRONICS CORPORATION IT IS SUBJECT TO CHANGE AND THE CONTROLLING ENGINEERING ORGANIZATION SHOULD BE CONTACTED FOR THE LATEST REVISION.</small>		DWN 01FEB2002 E. ZANOLINI CHK 01FEB2002 E. ZANOLINI APVD 01FEB2002 D. BLEVENOUR		Tyco Electronics Tyco Electronics Harrisburg, PA 17105-3608	
DIMENSIONS: mm		TOLERANCES UNLESS OTHERWISE SPECIFIED: 0 PLC ±.3 1 PLC ±.3 2 PLC ±.25 3 PLC ±. 4 PLC ±. ANGLES ±2		NAME TERMINAL BLOCK PCB, MOUNT STRAIGHT SIDE WIRE ENTRY, STACKING W/ INTERLOCK, 3.5mm PITCH	
MATERIAL 1		FINISH 1		PRODUCT SPEC 108-20166 APPLICATION SPEC 114-20079 WEIGHT -	
CUSTOMER DRAWING				SIZE A3 CAGE CODE 00779 DRAWING NO C-284391 RESTRICTED TO -	
SCALE 3:1				SHEET 1 OF 1 REV B3	