

**PLEASE CHECK WWW.MOLEX.COM FOR LATEST PART INFORMATION**

**Part Number:** [0354279802](#)  
**Status:** **Active**  
**Description:** 6.00mm (.236") Tab Wire-to-Wire Terminal, Female, One-Piece Type, Wire Range AVS (CAVS) 0.85-1.25mm square (.033-.049"), Tin-Plated

**Documents:**

[Drawing \(PDF\)](#) [RoHS Certificate of Compliance \(PDF\)](#)

**General**

Product Family	Crimp Terminals
Series	<a href="#">35427</a>
Crimp Quality Equipment	Yes
Product Name	N/A

**Physical**

Gender	Female
Material - Metal	Brass
Material - Plating Mating	Tin
Material - Plating Termination	Tin
Packaging Type	Reel
Plating min: Mating (µin)	59
Plating min: Mating (µm)	1.5
Termination Interface: Style	Crimp or Compression
Wire Insulation Diameter	2.20-2.80mm (.087-.110")
Wire Size AWG	16, 18
Wire Size mm²	N/A

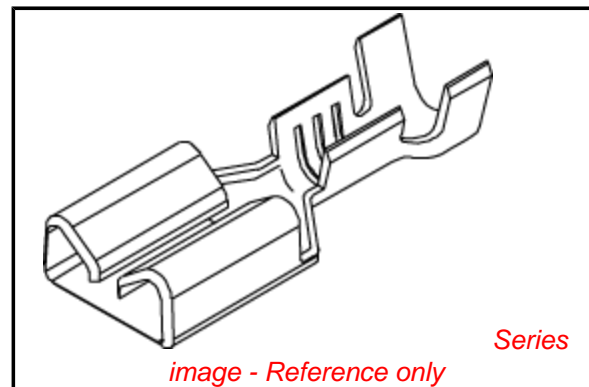
**Electrical**

Current - Maximum per Contact	20A
-------------------------------	-----

**Material Info**

**Reference - Drawing Numbers**

Sales Drawing	SD-35427-002
---------------	--------------



**EU RoHS**

**ELV and RoHS Compliant**  
**REACH SVHC Contains SVHC: No**  
**Halogen-Free Status**

**China RoHS**



**Need more information on product environmental compliance?**

Email [productcompliance@molex.com](mailto:productcompliance@molex.com)  
 For a multiple part number RoHS Certificate of Compliance, [click here](#)

Please visit the [Contact Us](#) section for any non-product compliance questions.

**Search Parts in this Series**

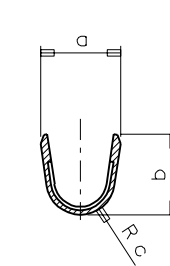
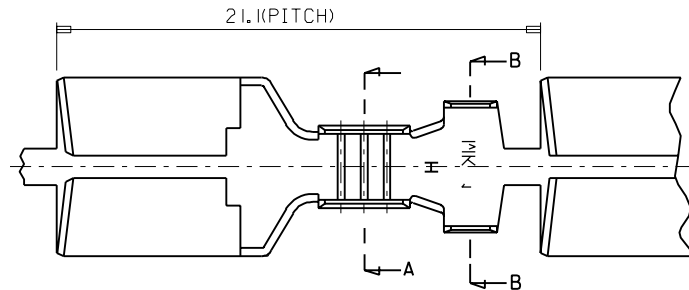
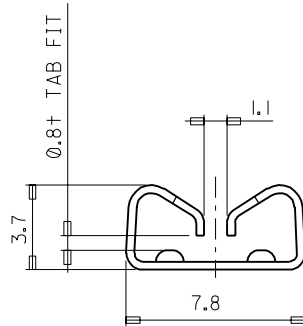
[35427Series](#)

**Mates With**

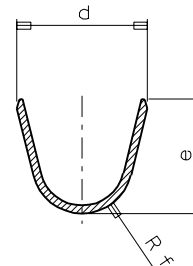
[35725 Terminal](#)

**Use With**

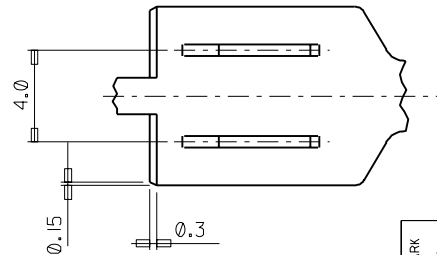
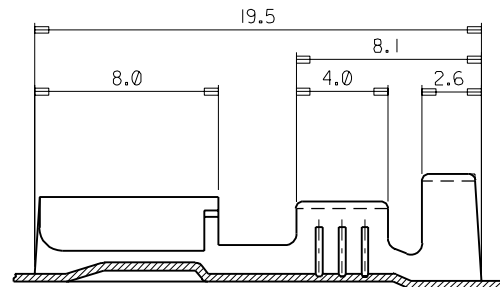
[35270 Housing](#)



SECTION A-A



SECTION B-B



PART NO.	a	b	Rc	d	e	Rf	WIRE RANGE (mmSQ)	Q'TY/REEL	FINISH	REMARK (OPTION)
35427-9700									UNPLATED	---
-9702	S	2.8	2.8	0.9	3.8	3.8	0.3 ± 0.5	5000	PLATED	---
-9710									UNPLATED	MARK "H"
35427-9800									UNPLATED	---
-9802	M	3.0	3.5	1.2	5.0	5.0	0.85 ± 1.25	5000	PLATED	---
-9810									UNPLATED	MARK "H"
35427-9900									UNPLATED	---
-9902	L	5.2	4.6	2.0	6.3	6.3	2.0 ± 3.0	4000	PLATED	---
-9910									UNPLATED	MARK "H"

NOTES

- MATERIAL : BRASS (C2600), THICK = 0.35mm
- TENSION (35427-970\*,980\*,990\*)
  - INSERTION FORCE(INITIAL) : 1.0 ± 1.5 KgF
  - WITHDRAWAL FORCE(6 TIMES) : 0.6KgF MIN.
- TENSION (35427-971\*,981\*,991\*) "H" MARK
  - INSERTION FORCE(INITIAL) : 1.5 ± 2.0 KgF
  - WITHDRAWAL FORCE(6 TIMES) : 0.8KgF MIN.

REV	DESCRIPTION	QUALITY SYMBOLS	GENERAL TOLERANCES: (UNLESS SPECIFIED)		SCALE	DESIGN UNITS	THIRD ANGLE PROJECTION	DIMENSIONS:			SHT	REV	
			mm	INCH				mm	INCH	mm ONLY			
B	ADDED TENSION & MARK EC NO. KOR2000-0068 DRWN: B.C.YOON 00/10/25 CHK: B.K.CHOI 00/10/25 APPR: C.W.LEE 00/10/25	MAJOR $\blacktriangledown$ = 0 CRITICAL $\blacktriangledown$ = 0	±0.	±.	5:1	<input checked="" type="checkbox"/> mm <input type="checkbox"/> INCH	<input checked="" type="checkbox"/>	<input type="checkbox"/> mm <input type="checkbox"/> INCH	<input checked="" type="checkbox"/> mm ONLY			REVISE ON CAD ONLY	
			4 PLACES	±0.	±.								
			3 PLACES	±0.	±.								
			2 PLACES	±0	±.								
			1 PLACE	±0.3	±.								
			ANGULAR: ± 3 °										
			DRAFT WHERE APPLICABLE MUST REMAIN WITHIN DIMENSIONS										
			THIS DRAWING CONTAINS INFORMATION THAT IS PROPRIETARY TO MOLEX INCORPORATED AND SHOULD NOT BE USED WITHOUT WRITTEN PERMISSION.										
			DRAWN BY & DATE J.K.OH 96/10/11		TITLE: POWERMATE FEMALE TERMINAL (S,M,L)		MATERIAL NO. 35427-9***		DRAWING NO. SD-35427-002		SHEET NO. 1 OF 1		
			CHECKED BY & DATE B.KCHOI 96/10/11		APPROVED BY & DATE C.W.LEE 96/10/11		MOLEX INCORPORATED KOREA		SIZE B				