

# Apacer

The Most **Reliable**  
Storage For Industries

**CM710-CF**



## CM710-CF

### Overview

Apacer industrial CM710-CF card is compliant with the CF 6.1 standard compatible specifications. Apacer adopts the standard 50-pin connector and MLC chip with higher capacity for the card. It is available in capacities from 8GB to 128GB. The data transfer mode is up to PIO Mode 6, Multiword DMA Mode 4, Ultra DMA Mode 6, with the sequential read/write speed reaching as fast as 95/55 MB/sec. To help data stay correct, this CM710-CF memory card also supports 96-bit ECC function, wear-leveling function, S.M.A.R.T. (Self-Monitoring, Analysis, and Reporting Technology) and supply voltage power-down detection for full power-down robustness, thereby substantially enhancing product reliability.



\*The actual available memory on the device is less than what is listed on the package. This is due to small discrepancies in file formats and algorithms used by various operating systems. In addition, a portion of memory space is reserved for system files and data sectors for better performance.

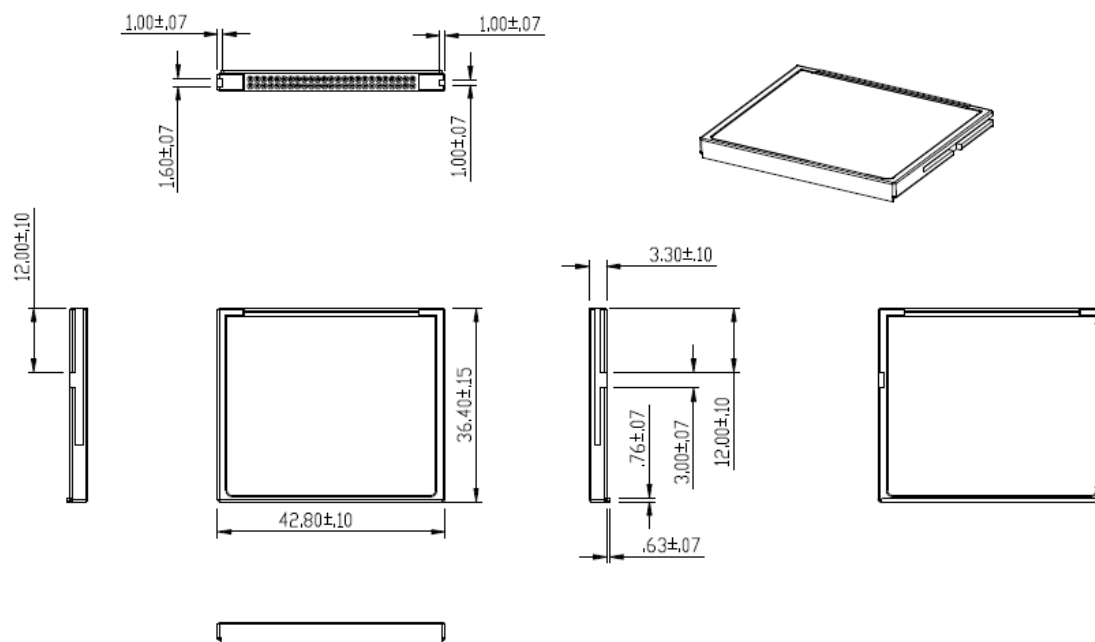
## Feature

- Global Wear Leveling
- Built-in BCH ECC capable of correcting up to 96 bits in 1KB data
- Supports S.M.A.R.T commands
- Flash Block Management
- Power Failure Management

## Specifications

<b>Model</b>	CM710-CF
<b>Interface</b>	PC Card Memory Mode; PC Card I/O Mode; True IDE Mode
<b>Connector</b>	50-pin
<b>Form Factor</b>	CompactFlash Type I
<b>Transfer Mode</b>	PIO Mode 6, Multiword DMA Mode 4, Ultra DMA Mode 6
<b>NAND Flash Type</b>	MLC
<b>Capacity</b>	8GB~128GB
<b>Sustained Read Performance (MB/sec)</b>	Up to 95
<b>Sustained Write Performance (MB/sec)</b>	Up to 55
<b>ECC Engine</b>	Built-in BCH ECC capable of correcting up to 96 bits in 1KB data
<b>Standard Operating Temperature ( °C )</b>	0 ~ + 70
<b>Extended Operating Temperature ( °C )</b>	-40 ~ + 85
<b>Storage Temperature ( °C )</b>	-40 ~ + 100
<b>H/W Write Protect</b>	No
<b>Shock</b>	Operation: 50G, 11ms Non-operation: 1500G, 0.5ms
<b>Vibration</b>	Operation: 7.69 Grms, 20~2000 Hz/random (compliant with MIL-STD-810G) Non-operation: 4.02 Grms, 15 ~ 2000 Hz/sine
<b>Operating Voltage</b>	3.3 V / 5.0 V ± 5%
<b>Power Consumption</b>	Operating Voltage: 3.3V Active mode: 165 mA / Standby mode: 10mA Operating Voltage: 5.0V Active mode: 170 mA / Standby mode: 10mA
<b>Dimension (L x W x H)</b>	36.4mm x 42.8mm x 3.3mm
<b>MTBF (hours)</b>	>1,000,000

## Mechanical Specification



Unit: mm

For more information,  
contact your Apacer representative

### Global Presence

Taiwan (Headquarters)  
Apacer Technology Inc.  
Tel: +886-2-2267-8000  
Fax: +886-2-2267-2261

Europe  
Apacer Technology B.V.  
Tel: +31-40-267-0000  
Fax: +31-40-290-0686

U.S.A.  
Apacer Memory America, Inc.  
Tel: +1-408-518-8699  
Fax: 1-510-249-9551

China  
Apacer Electronic(Shanghai)  
Co., Ltd.  
Tel: +86-21-6228-9939

Japan  
Apacer Technology Corp.  
Tel: +81-3-5419-2668  
Fax: +81-3-5419-0018

India  
Apacer Technologies Pvt. Ltd.  
Tel: +91-80-41529061~3  
Fax: +91-80-41700215