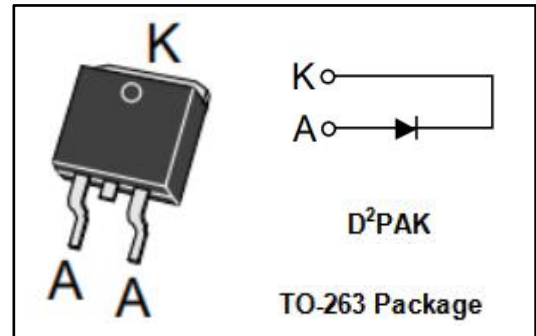


**Ultrafast Recovery Rectifier**
**BYT79B-600P**
**FEATURES**

- Ultrafast Recovery Time
- Low Forward Voltage
- Low Leakage Current
- Minimum Lot-to-Lot variations for robust device performance and reliable operation


**APPLICATIONS**

- Designed for use in switching power supplies, Power switching circuits, General purpose

**ABSOLUTE MAXIMUM RATINGS(T<sub>a</sub>=25°C)**

SYMBOL	PARAMETER	VALUE	UNIT
V <sub>R</sub> RM	Peak Repetitive Reverse Voltage	600	V
I <sub>F</sub> (AV)	Average Rectified Forward Current (Rated V <sub>R</sub> )	15	A
I <sub>F</sub> RM	Peak Repetitive Forward Current	30	A
I <sub>F</sub> SM	Nonrepetitive Peak Surge Current	150	A
T <sub>J</sub>	Junction Temperature	-65~150	°C
T <sub>stg</sub>	Storage Temperature Range	-65~150	°C

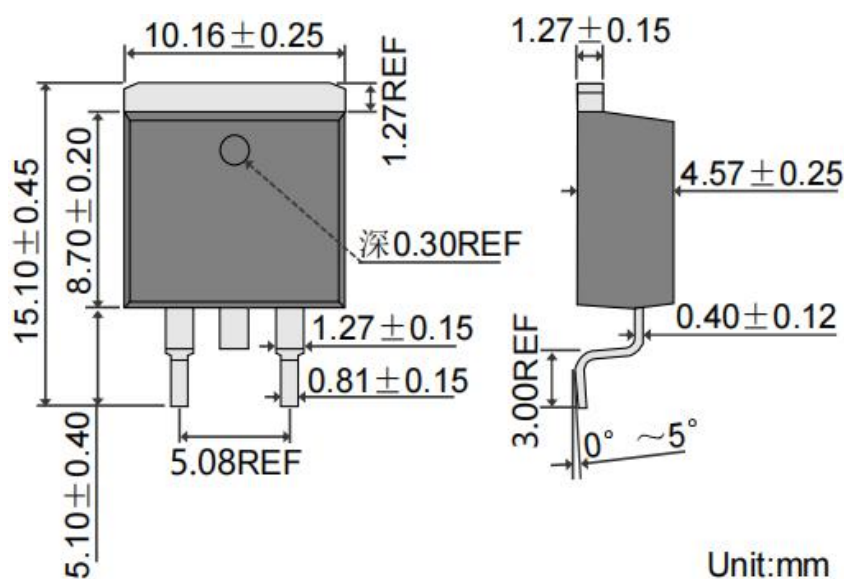
**THERMAL CHARACTERISTICS**

SYMBOL	PARAMETER	MAX	UNIT
R <sub>th j-c</sub>	Thermal Resistance, Junction to Case	2.2	°C/W

**Ultrafast Recovery Rectifier**
**BYT79B-600P**
**ELECTRICAL CHARACTERISTICS(T<sub>a</sub>=25°C) (Pulse Test: Pulse Width=300 μs,Duty Cycle≤2%)**

SYMBOL	PARAMETER	CONDITIONS	MAX	UNIT
V <sub>F</sub> *	Maximum Instantaneous Forward Voltage	I <sub>F</sub> = 15A	1.38	V
		I <sub>F</sub> = 15A ,T <sub>c</sub> =125°C	1.25	
I <sub>R</sub>	Maximum Instantaneous Reverse Current	V <sub>RRM</sub> = 600V	10	μ A
		V <sub>RRM</sub> = 600V ,T <sub>c</sub> =125°C	200	
t <sub>rr</sub>	Maximum Reverse Recovery Time	I <sub>F</sub> =1A I <sub>R</sub> =1.0A I <sub>REC</sub> =0.25A	60	ns

\*:Pulse test ,Pulse width=300us,duty cycle≤2%


**NOTICE:**

ISC reserves the rights to make changes of the content herein the datasheet at any time without notification. The information contained herein is presented only as a guide for the applications of our products.

ISC products are intended for usage in general electronic equipment. The products are not designed for use in equipment which require specialized quality and/or reliability, or in equipment which could have applications in hazardous environments, aerospace industry, or medical field. Please contact us if you intend our products to be used in these special applications.

ISC makes no warranty or guarantee regarding the suitability of its products for any particular purpose, nor does ISC assume any liability arising from the application or use of any products, and specifically disclaims any and all liability, including without limitation special, consequential or incidental damages.