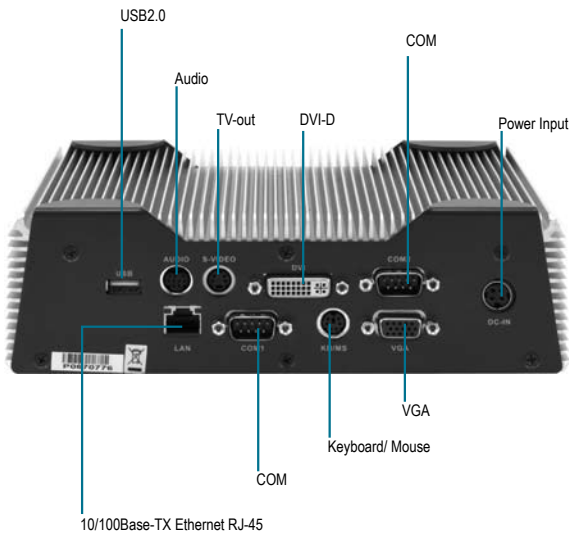
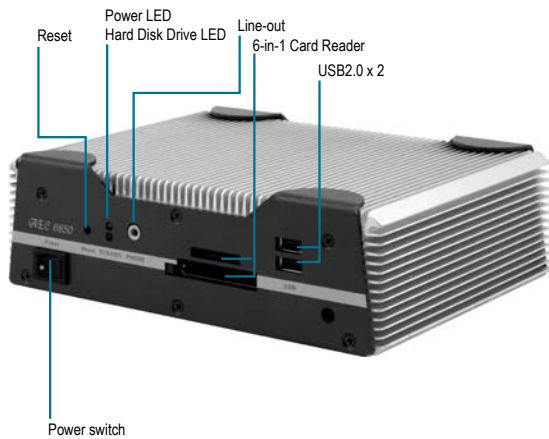


Fanless Embedded Controller With Intel® Celeron® M Processor



Features

- Fanless Design With Intel® Celeron® M 1.0 GHz Processor
- 4-In-1 Card Reader
- COM x 2, USB2.0 x 3, Ethernet x 1, DVI x 1, S-Video
- Optional Multiple Drive Bays
- Optional DVD Combo
- ATX/AT Power Function



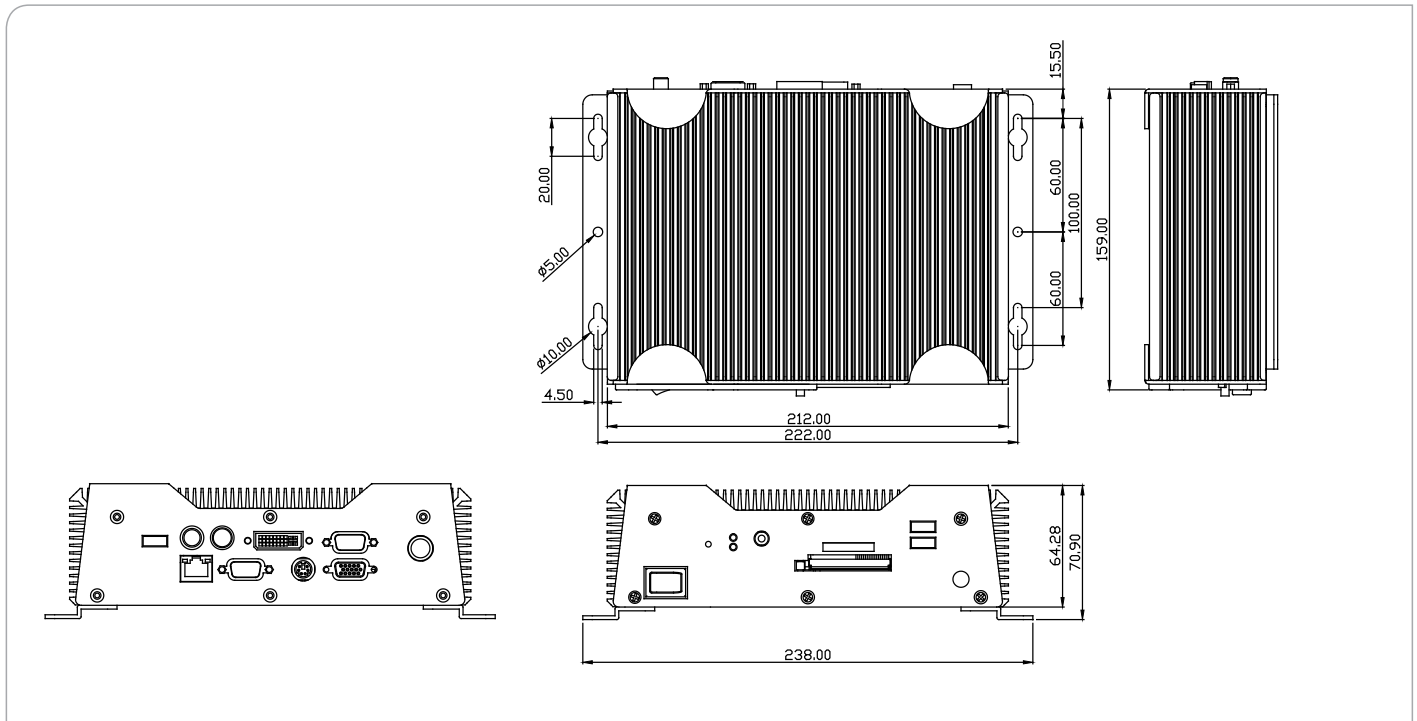
Specifications

System	
Processor	Intel® Celeron® M Processor
Memory (Optional)	DDR SDRAM SODIMM x 1, Max. 1 GB
VGA/ Keyboard/ Mouse	DB-15 VGA x 1, PS/2 Keyboard & Mouse x 1
Ethernet	10/100Base-TX Ethernet, RJ-45 x 1
SSD	4-in-1 Card Reader (CompactFlash™, Secure Digital, Multi-Media Card, Memory Stick PRO), Type II CompactFlash™ x 1 (Internal)
Hard Disk Storage	Optional 2.5" Hard Disk Drive + Slim CD-ROM Module (IDE), Optional 3.5" Hard Disk Drive Module (IDE), Optional Dual 2.5" Slim Hard Disk Drive Module (IDE)
COM	RS-232 x 1, RS-232/422/485 x 1
Audio	Mic-in/ Line-in/ Line-out, by an external cable
USB	USB2.0 x 3
DVI	DVI-D x 1
TV-out	S-video
Wireless LAN	WLAN kit (802.11b/g) (Optional)
System Control	Power on/ off switch x 1, Reset button x 1
LED Indicator	Power LED x 1, Hard Disk Drive active LED x 1
Watchdog Timer	Generates a time-out system reset, setting via software
Power Supply	1. DC Input: Internal DC-DC Converter (Default) Input voltage: 9V DC ~ 30V DC
	2. AC Input: External Power Adapter (Optional) Input voltage: 100V AC ~ 240V AC @ 50 ~ 60Hz
Power Consumption	Intel® Celeron® 1.3 GHz 1.87A@12V
MTBF (Hours)	60,000
OS Support	Windows® CE .NET 5.0, Windows® XP Embedded, Windows® XP
Mechanical	
Construction	Rugged Aluminum Alloy chassis
Color	Dark Blue
Mounting	DIN Rail, Wallmount
Dimension	8.35" (W) x 2.5" (H) x 6.26" (D) (212mm x 64mm x 159mm)
Net Weight	5.57 lb (2.53 Kg)
Gross Weight	10.34 lb (4.7 Kg)
Environmental	
Operating Temperature	5°F ~ 140°F (-15°C ~ 60°C)- Celeron® M 600 MHz/ CompactFlash™
	5°F ~ 122°F (-15°C ~ 50°C)- Celeron® M 600 MHz/ Hard Disk Drive
	5°F ~ 122°F (-15°C ~ 50°C)- Celeron® M 1.3 GHz/ CompactFlash™
	5°F ~ 113°F (-15°C ~ 45°C)- Celeron® M 1.3 GHz/ Hard Disk Drive
Storage Temperature	-4°F ~ 158°F (-20°C ~ 70°C) — CompactFlash™
	-4°F ~ 140°F (-20°C ~ 60°C) — Hard Disk Drive
Storage Humidity	5~95%@40°C, non-condensing
Vibration	5 g rms/ 5 ~ 500Hz/ random operation (CompactFlash™)
Shock	100g peak acceleration (11 msec. duration) (CompactFlash™)
EMC	CE/FCC Class A

AEC-6850

Dimension

Unit: mm



Ordering Information

- **TF-AEC-6850-A1**
Embedded Controller, Intel® Celeron® M 1.3 GHz CPU, Fanless, AC, Card Reader, TV-out, DVI, ATX mode
- **TF-AEC-6850-A2**
Embedded Controller, Intel® Celeron® M 600 MHz CPU, Fanless, AC, Card Reader, TV-out, DVI, ATX mode
- **TF-AEC-6850-A3**
Embedded Controller, Intel® Celeron® M 1.3 GHz CPU, Fanless, DC 9-30V, Card Reader, TV-out, DVI, AT Mode
- **TF-AEC-6850-A4**
Embedded Controller, Intel® Celeron® M 600 MHz CPU, Fanless, DC 9-30V, Card Reader, TV-out, DVI, AT Mode

Ordering Information

- **9741685001**
Slim CD-ROM + 2.5" Hard Disk Drive kit
- **9741685002**
3.5" Hard Disk Drive Kit
- **9741685003**
Dual 2.5" Hard Disk Drive Kit
- **9741685010**
1.8G RMS Vibration Protection Hard Disk Drive Kit
- **1702031802**
Power Cord (US type)
- **1702031803**
Power Cord (European Type)
- **170203180E**
Power Cord (Japanese Type)
- **1757912001**
AC Adapter (120W), Input: AC 100~240V; Output: DC 19V