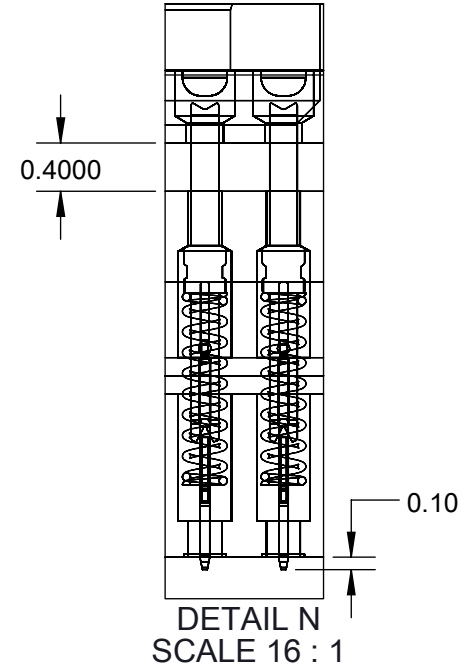
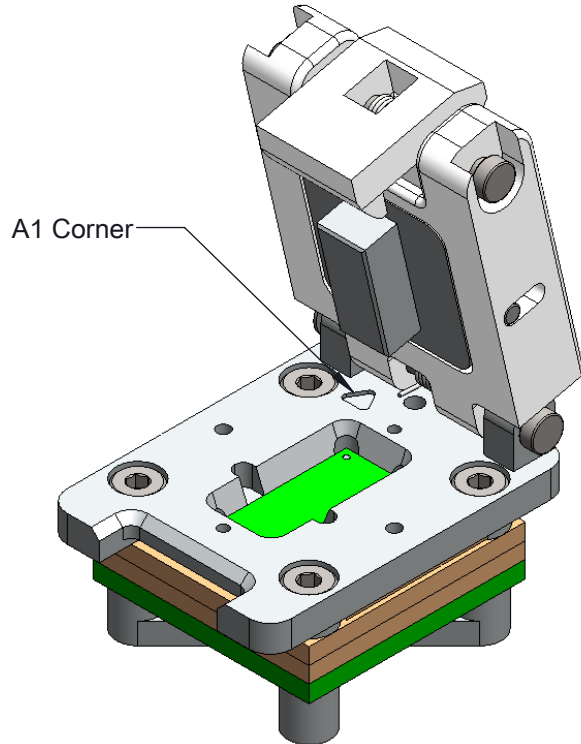
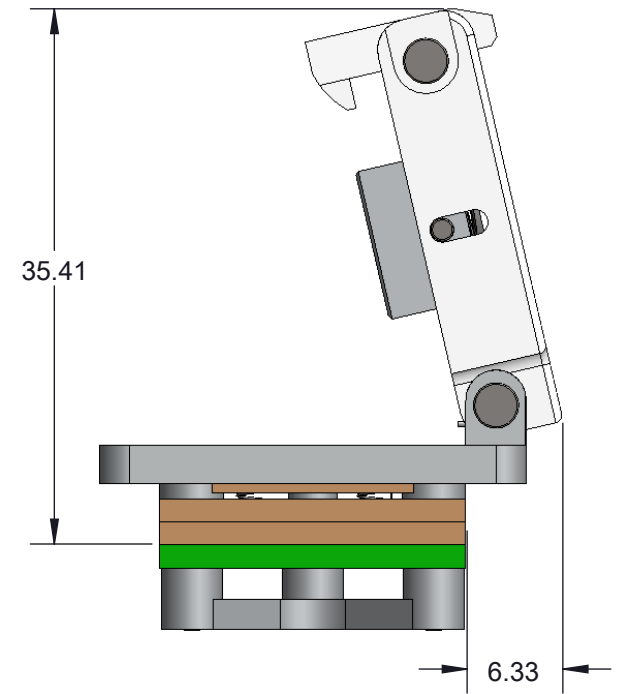
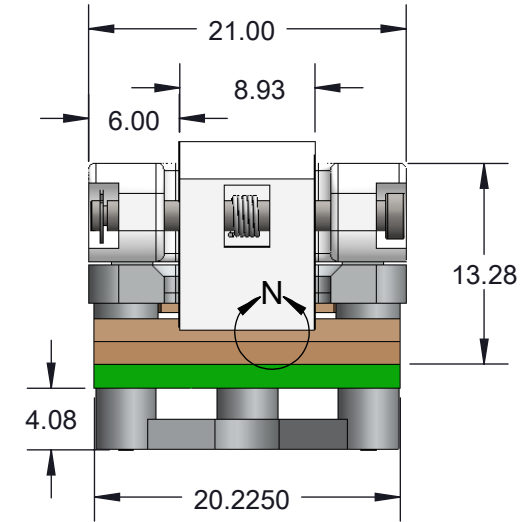
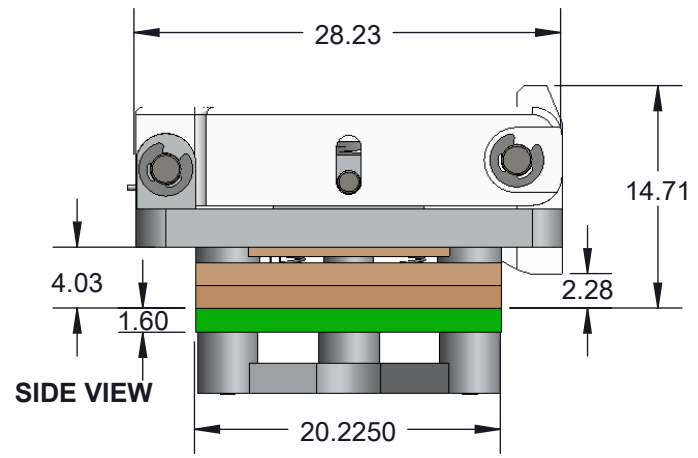


# CBT-BGA DIRECT MOUNT, SOLDERLESS SOCKET FOR BURN-IN AND TEST APPLICATIONS




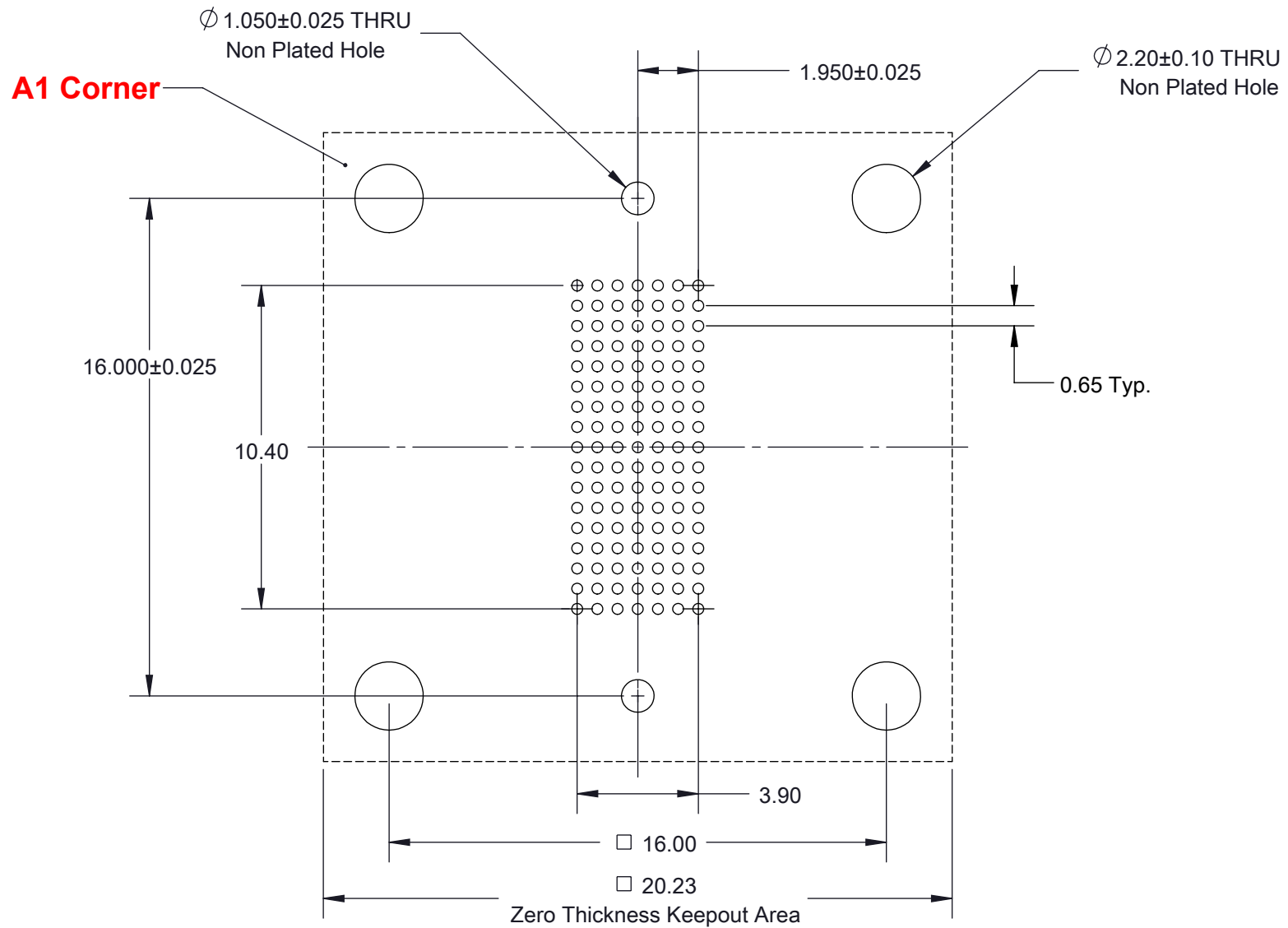
- Features
- Wide temperature range (-55C to +180C)
  - High current capability (up to 4A)
  - Excellent signal integrity at high frequencies
  - Low and stable contact resistance for reliable production yield
  - Highly compliant to accommodate wide co-planarity variations
  - Automated probe manufacturing enables low cost and short lead time



**Description:** CBT-BGA 5x12mm 0.65mm pitch 7x17 array

Primary dimension units are millimeters, Secondary dimension units are [inches], Weight is in grams.  
 Tolerances: Hole diameters  $\pm 0.03\text{mm}$  [ $\pm 0.001"$ ], Pitches (from true position)  $\pm 0.025\text{mm}$  [ $\pm 0.001"$ ], substrate thickness tolerance  $\pm 10\%$ , all other tolerances  $\pm 0.13\text{mm}$  [ $\pm 0.005"$ ] unless stated otherwise. Materials and specifications are subject to change without notice.

 Ironwood Electronics, Inc. Tele: (800) 404-0204 www.ironwoodelectronics.com	Material: Material <not specified> Finish: Weight: 15.85	STATUS: Released ENG: V. Panavala FILE: CBT-BGA-7024 Dwg	SHEET: 1 OF 4 DRAWN BY: M. Raske DATE: 01/20/2015	REV. A SCALE: 2:1




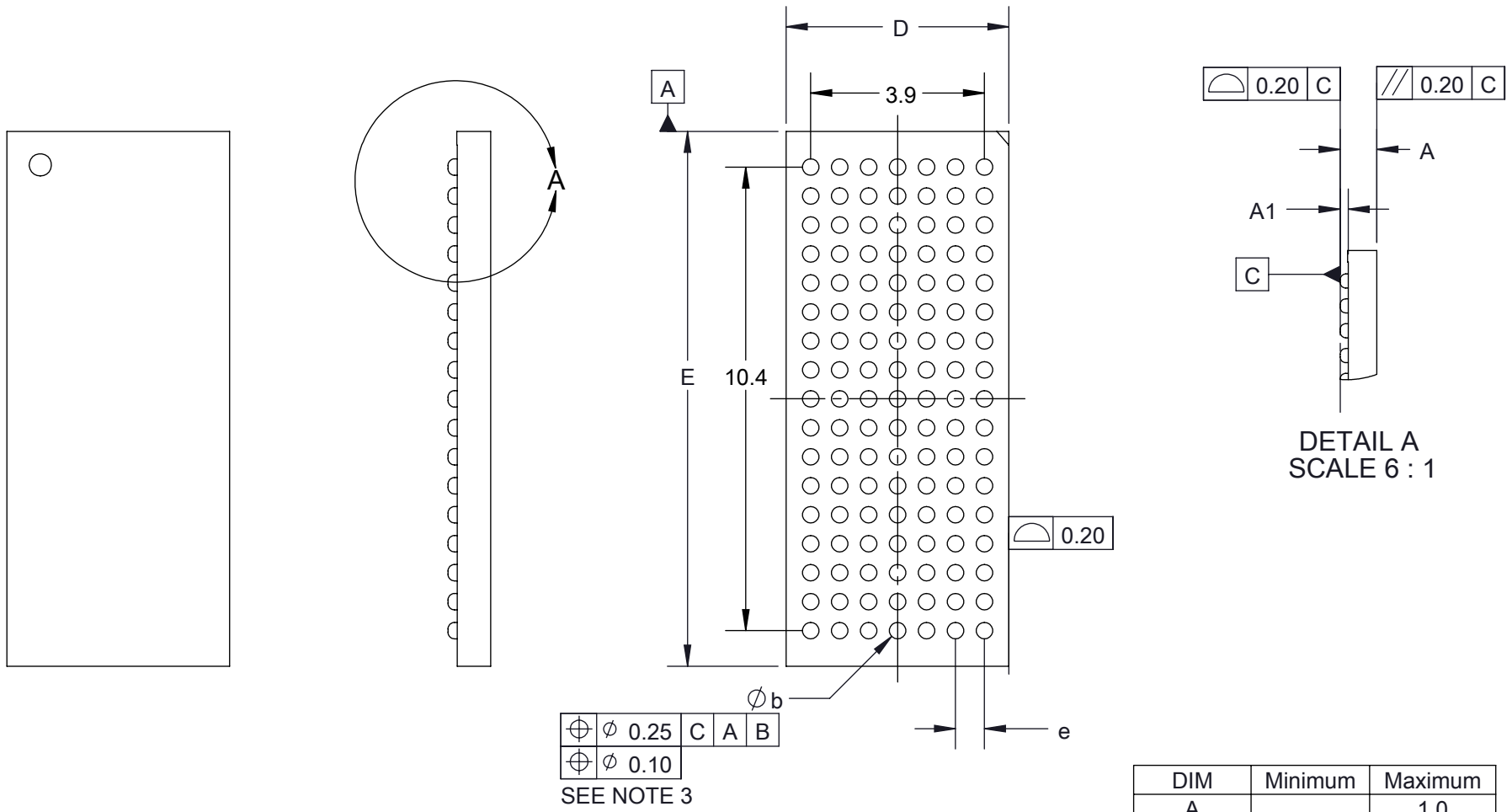
Target PCB Recommendations  
Total thickness: 1.2mm minimum

### Description: Recommended PCB Layout

Primary dimension units are millimeters, Secondary dimension units are [inches], Weight is in grams.

Tolerances: Hole diameters  $\pm 0.03\text{mm}$  [ $\pm 0.001"$ ], Pitches (from true position)  $\pm 0.025\text{mm}$  [ $\pm 0.001"$ ], substrate thickness tolerance  $\pm 10\%$ , all other tolerances  $\pm 0.13\text{mm}$  [ $\pm 0.005"$ ] unless stated otherwise. Materials and specifications are subject to change without notice.

 <b>CBT-BGA-7024 Drawing</b> Ironwood Electronics, Inc. Tele: (800) 404-0204 www.ironwoodelectronics.com	Material: Material <not specified> Finish: Weight: 15.85	STATUS: Released	SHEET: 2 OF 4	REV. A
		ENG: V. Panavala	DRAWN BY: M. Raske	SCALE: 5:1
		FILE: CBT-BGA-7024 Dwg	DATE: 01/20/2015	




Ironwood package code: BGA119C

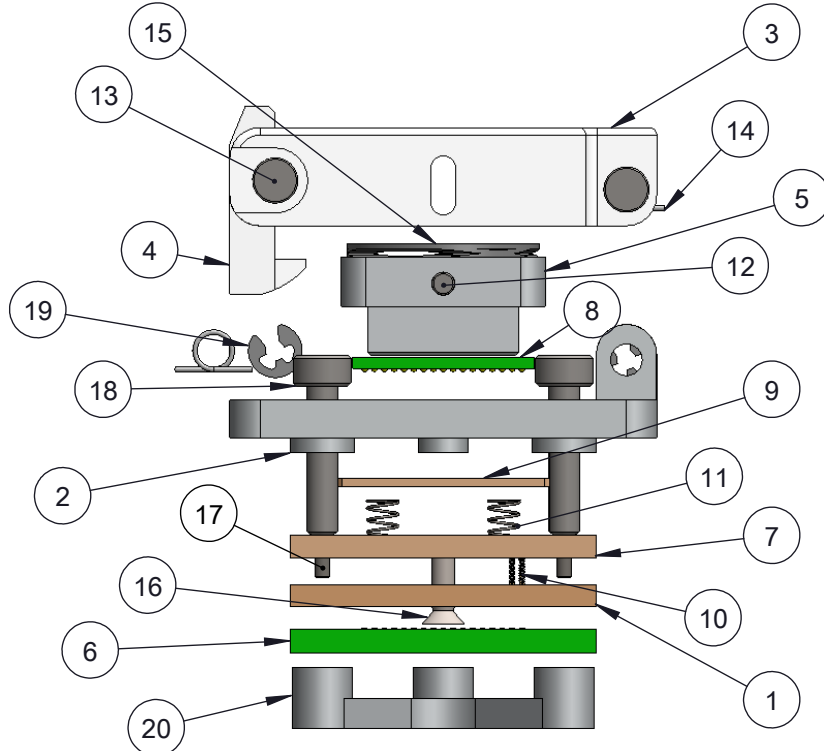
DIM	Minimum	Maximum
A		1.0
A1	0.16	0.26
b		0.37
D	5.00 BSC	
E	12.00 BSC	
e	0.65 BSC	
ARRAY	7 X 17	
PIN COUNT	119	

**Description: Compatible BGA**

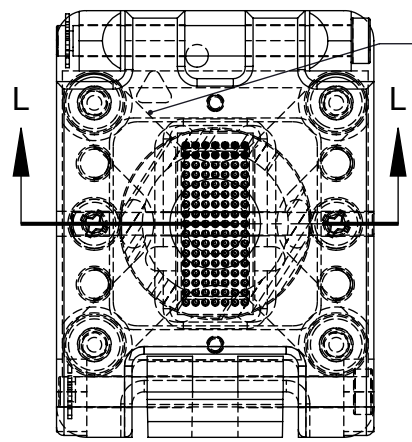
Primary dimension units are millimeters, Secondary dimension units are [inches], Weight is in grams.

Tolerances: Hole diameters  $\pm 0.03\text{mm}$  [ $\pm 0.001$ "], Pitches (from true position)  $\pm 0.025\text{mm}$  [ $\pm 0.001$ "], substrate thickness tolerance  $\pm 10\%$ , all other tolerances  $\pm 0.13\text{mm}$  [ $\pm 0.005$ "] unless stated otherwise. Materials and specifications are subject to change without notice.

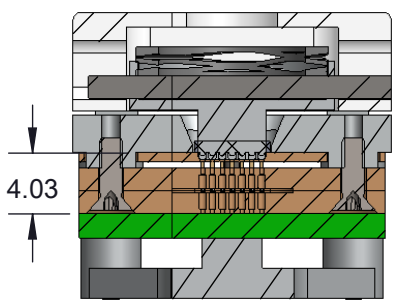
 <b>CBT-BGA-7024 Drawing</b> Ironwood Electronics, Inc. Tele: (800) 404-0204 www.ironwoodelectronics.com	Material: Material <not specified> Finish: Weight: 15.85	STATUS: Released ENG: V. Panavala FILE: CBT-BGA-7024 Dwg	SHEET: 3 OF 4 DRAWN BY: M. Raske DATE: 01/20/2015	REV. A SCALE: 7:1



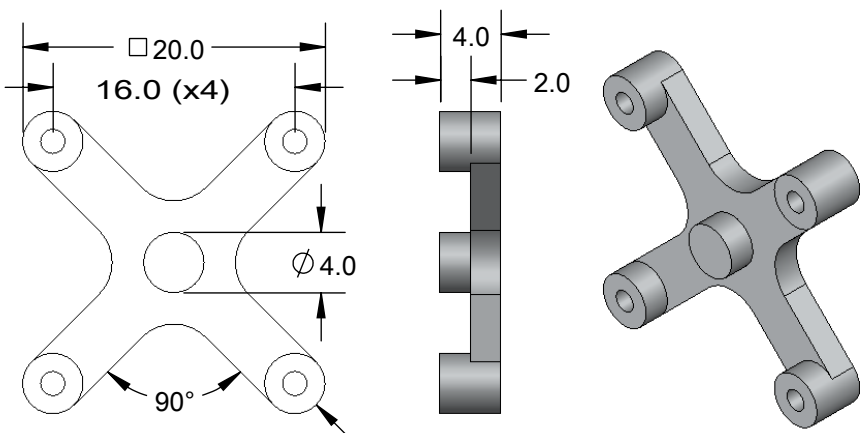
ITEM NO.	DESCRIPTION	Material
1	Bottom Pogo Guide 5x12mm 0.65mm pitch 7x17 array	Semitron MDS 100
2	CBT socket base 5x12mm snap type	7075 Aluminum
3	12mm Plastic Snap Clamshell Socket Lid	PPS/Ultem
4	Clamshell Latch Snap Lid Socket	PPS/Ultem
5	Compression Plate 7x7mm	7075-T6 Alumium Alloy
6	Target PCB 5x12mm 0.65mm pitch 7x17 array	Material <not specified>
7	Middle guide 5x12mm 0.65mm pitch 7x17 array	Semitron MDS 100
8	BGA119 5x12mm 0.65mm pitch 7x17 array	FR4
9	Floating Guide 5x12mm 0.65mm pitch 7x17 array	Semitron MDS 100
10	SBT Pin, SBT-BGA 0.5mm-0.8mm	
11	Floating Guide Spring	Alloy Steel (SS)
12	Dowel Pin, M1.5 X 20mm LG, 18-8 SS	AISI 347 Annealed Stainless Steel (SS)
13	2mm diameter Hinge Pin, 20 mm long	Alloy Steel
14	Coil Spring, 180 0.109" OD, SS	Stainless Steel (302)
15	Wave Spring 0.5" OD 0.18" H 143 lb/in	Carbon Steel SEA 1070-1090
16	Screw, #0-80 X .188", Flat, SS	Stainless Steel (18-8)
17	Dowel Pin, M1 x 6mm, STL	Alloy Steel (SS)
18	Screw, M2 x 10mm, Cap, SS STL	AISI 316 Stainless Steel Sheet (SS)
19	Snap ring for 2mm Hinge pin 0.15" OD	
20	Backing Plate 5 post	7075-T6 Alumium Alloy



A1 Corner




SECTION L-L



Backing plate Specification

**Description: Socket Assy, Insulation Plate**

Primary dimension units are millimeters, Secondary dimension units are [inches], Weight is in grams.  
 Tolerances: Hole diameters  $\pm 0.03\text{mm}$  [ $\pm 0.001"$ ], Pitches (from true position)  $\pm 0.025\text{mm}$  [ $\pm 0.001"$ ], substrate thickness tolerance  $\pm 10\%$ , all other tolerances  $\pm 0.13\text{mm}$  [ $\pm 0.005"$ ] unless stated otherwise. Materials and specifications are subject to change without notice.

 <b>CBT-BGA-7024 Drawing</b> Ironwood Electronics, Inc. Tele: (800) 404-0204 www.ironwoodelectronics.com	Material: Material <not specified> Finish: Weight: 15.85	STATUS: Released ENG: V. Panavala FILE: CBT-BGA-7024 Dwg	SHEET: 4 OF 4 DRAWN BY: M. Raske DATE: 01/20/2015	REV. A SCALE: 2:1
---	--	--	---	----------------------