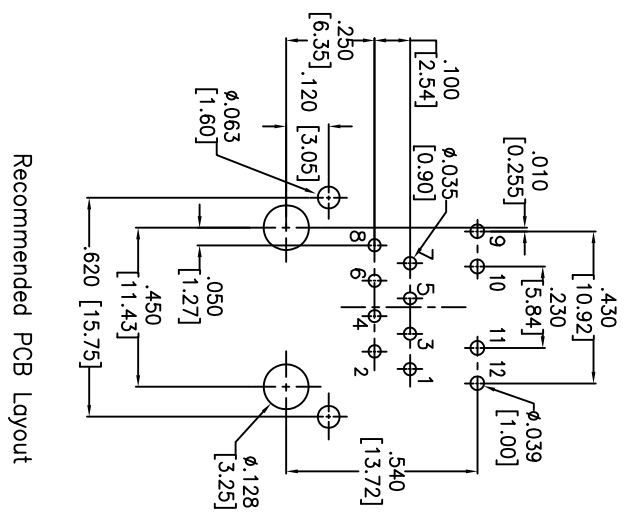
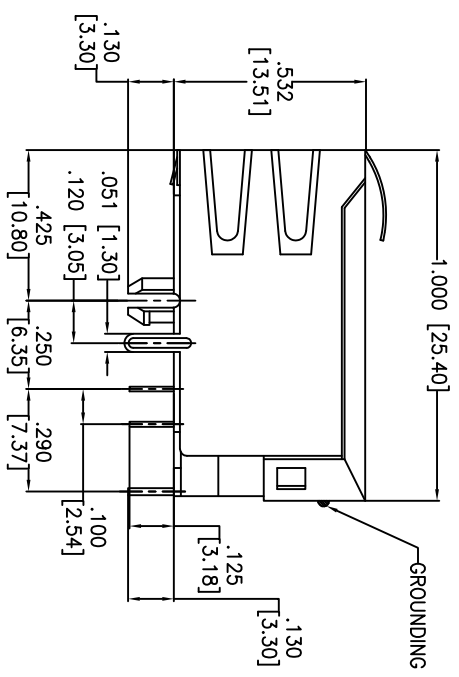
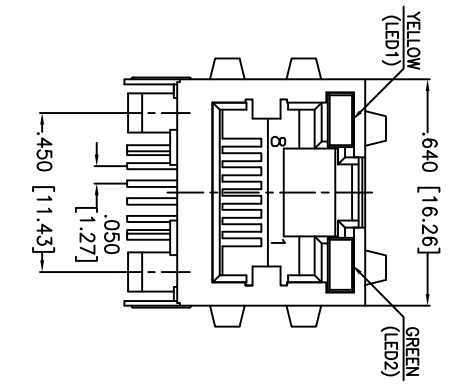
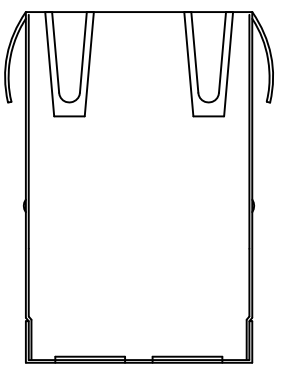


Rev	AWO #	Description	Date	Appr
-		RELEASED	10/25/10	

APPROVED: _____
 DATE: _____ TITLE: _____



Recommended PCB Layout

SPECIFICATIONS:

Material: Insulator: PBT, glass reinforced, rated UL 94V-0
 Insulator color: Black
 Contacts: Phosphor Bronze
 Shield: Copper Alloy, Nickel plated
 Contact Plating: Gold Flash over Nickel underplate on contact area, Tin over Copper underplate on tails
 Electrical: Operating voltage: 150 VAC max
 Current rating: 1.0 Amps max
 Contact Resistance: 40 mohms max. initial
 50 mohms max. final
 Insulation resistance: 500 Mohms min. initial
 500 Mohms min. final
 Temperature Rating: Operating temperature: -40°C to +85°C
 Environmental: Lead free, RoHS compliant.
 Recommended soldering temp: 235°C for 5 sec.

X	PLATING
0	15 µin Gold
1	30 µin Gold
2	50 µin Gold

UNLESS OTHERWISE SPECIFIED
 ALL DIMENSIONS ARE INCHES [MM]
 TOLERANCES: EXCEPT AS NOTED
 INCHES HOLES
 .X ±.10 Ø.X
 .XX ±.020 Ø.XX
 .XXX ±.015 Ø.XXX
 .XXX ±.015 ±.010

ADAM TECH

909 Rahway Avenue, Union, NJ 07083
 Phone: 908-687-5000 Fax: 908-687-5710

TITLE: MODULAR JACK GANGED, 1 PORT, 8P8C
 W/LED1 YELLOW, LED2 GREEN

APPROVALS	DATE	SIZE	PART NO.	REV.
DRAWN	DY		MTJ-88SX1-FSD-PG-LG-M4	
CHECKED		X		
APPROVED				

