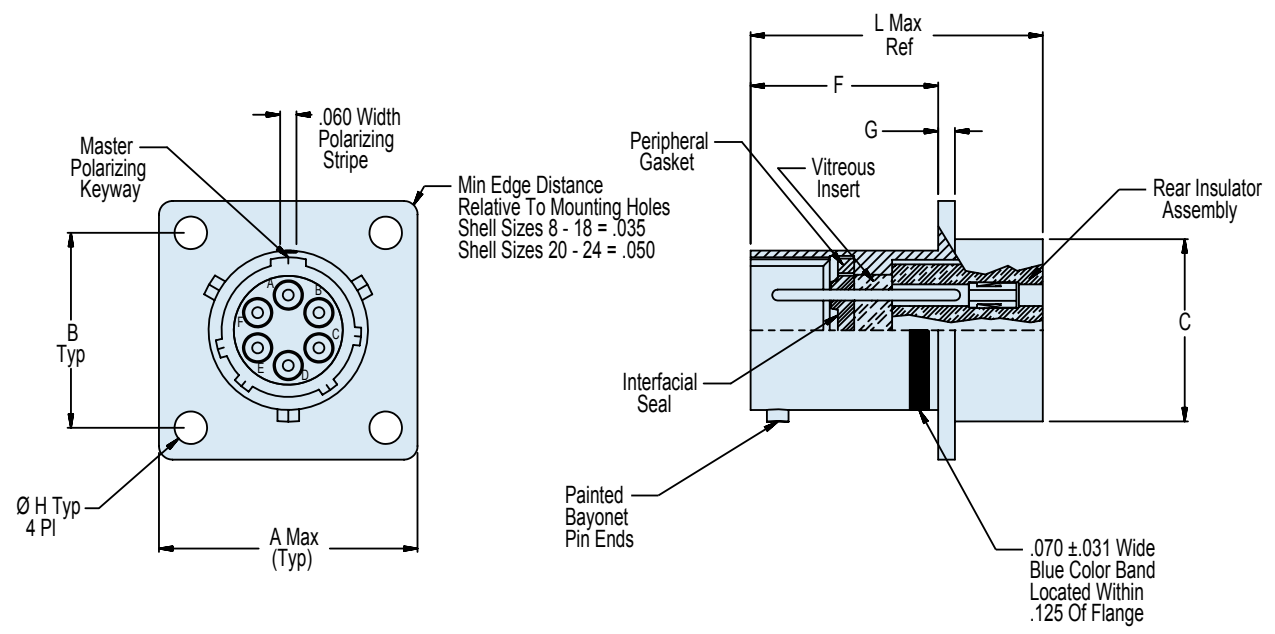


**D**



**230-021**  
**MIL-DTL-26482 Series II Type Hermetic**  
**Bayonet Coupling Box Mount Receptacle**  
**with Crimp Removable Contacts • MS3477 Type**



MIL-DTL  
26482 Type

HERMETIC LEAK RATE MOD CODES	
Designator	Required Leak Rate
-585A	1 x 10 <sup>-10</sup> cc's Helium per second
-585B	1 x 10 <sup>-9</sup> cc's Helium per second
-585C	1 x 10 <sup>-8</sup> cc's Helium per second

TABLE I: CONNECTOR AND CUT-OUT DIMENSIONS								
Shell Size	A	B	C Dia Mounting Locator	F	G	H	K Dia Panel Cut-Out	L
8	.828 (21.0)	.594 (15.1)	.563/.557 (14.3/14.1)	.704/.680 (17.9/17.3)	.078/.046 (2.0/1.2)	.120 (3.0)	.570 (14.5)	1.078 (27.4)
10	.954 (24.2)	.719 (18.3)	.673/.667 (17.1/16.9)	.704/.680 (17.9/17.3)	.078/.046 (2.0/1.2)	.120 (3.0)	.680 (17.3)	1.078 (27.4)
12	1.047 (26.6)	.812 (20.6)	.782/.776 (20.0/19.7)	.704/.680 (17.9/17.3)	.078/.046 (2.0/1.2)	.120 (3.0)	.789 (20.0)	1.078 (27.4)
14	1.141 (29.0)	.906 (23.0)	.907/.901 (23.0/22.9)	.704/.680 (17.9/17.3)	.078/.046 (2.0/1.2)	.120 (3.0)	.914 (23.2)	1.078 (27.4)
16	1.234 (31.3)	.969 (24.6)	1.032/1.026 (26.2/26.1)	.704/.680 (17.9/17.3)	.078/.046 (2.0/1.2)	.120 (3.0)	1.039 (26.4)	1.078 (27.4)
18	1.328 (33.7)	1.062 (27.0)	1.157/1.151 (29.4/29.2)	.704/.680 (17.9/17.3)	.078/.046 (2.0/1.2)	.120 (3.0)	1.164 (29.6)	1.078 (27.4)
20	1.453 (36.9)	1.156 (29.4)	1.251/1.245 (31.8/31.6)	.756/.739 (18.9/18.8)	.110/.078 (2.8/2.0)	.120 (3.0)	1.258 (32.0)	1.140 (29.0)
22	1.578 (40.1)	1.250 (31.8)	1.376/1.371 (35.0/34.8)	.756/.739 (18.9/18.8)	.110/.078 (2.8/2.0)	.120 (3.0)	1.383 (35.1)	1.140 (29.0)
24	1.703 (43.3)	1.375 (34.9)	1.501/1.495 (38.1/38.0)	.756/.739 (18.9/18.8)	.110/.078 (2.8/2.0)	.147 (3.7)	1.508 (38.3)	1.140 (29.0)

D

**APPLICATION NOTES**

- |  |  |
|--|--|
| <ol style="list-style-type: none"> <li>1. To be identified with manufacturer's name, part number and date code, space permitting.</li> <li>2. Material/Finish:<br/>                     Shell - Z1 - 304L stainless steel/passivate.<br/>                     FT - C1215 stainless steel/tin plated.<br/>                     Titanium and Inconel® available. Consult factory.<br/>                     Contacts - 52 Nickel alloy/gold plate.<br/>                     Bayonets - Stainless steel/passivate.<br/>                     Seals - Silicone elastomer/N.A.<br/>                     Insulation - Glass/N.A.<br/>                     Rear insulator - Rigid dielectric/N.A.</li> <li>3. Glenair 230-021 will mate with any QPL MIL-DTL-26482</li> </ol> | <ol style="list-style-type: none"> <li>4. Performance:<br/>                     Hermeticity - &lt;1 x 10<sup>-7</sup> cc/sec @ 1 atm differential.<br/>                     Dielectric withstanding voltage - Consult factory or MIL-STD-1669.<br/>                     Insulation resistance - 5000 megohms min @500VDC.</li> <li>5. See Table II for available insert arrangement option.</li> <li>6. Connectors are supplied with applicable crimp socket contacts per MIL-C-39029/22-** and MS3160-** insert and removal tool.</li> <li>7. Metric Dimensions (mm) are indicated in parentheses.</li> </ol> |
|--|--|