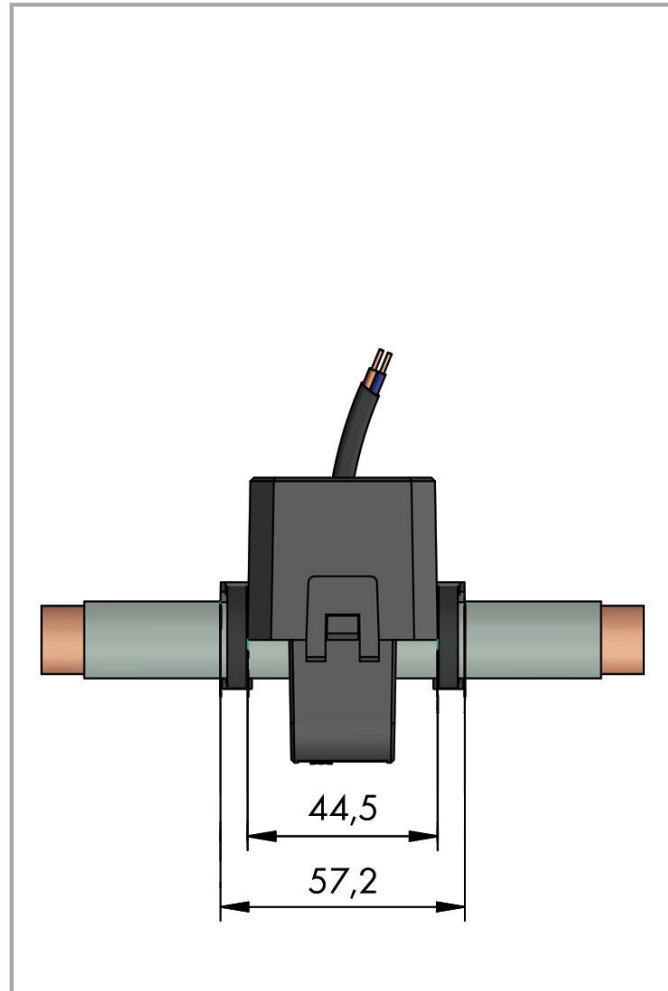
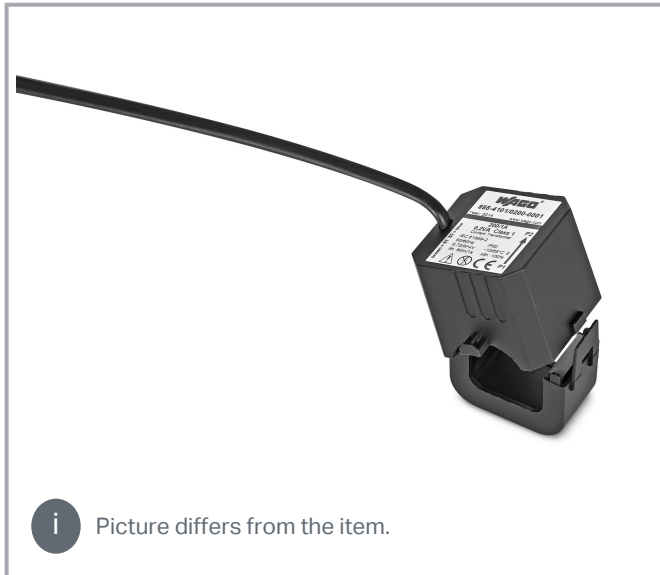


Data sheet | Item number: 855-4101/200-001

Split-core current transformer; Primary rated current: 200 A; Secondary rated current: 1 A; Rated power: 0.2 VA; Accuracy class: 1; Cable length: 3 m



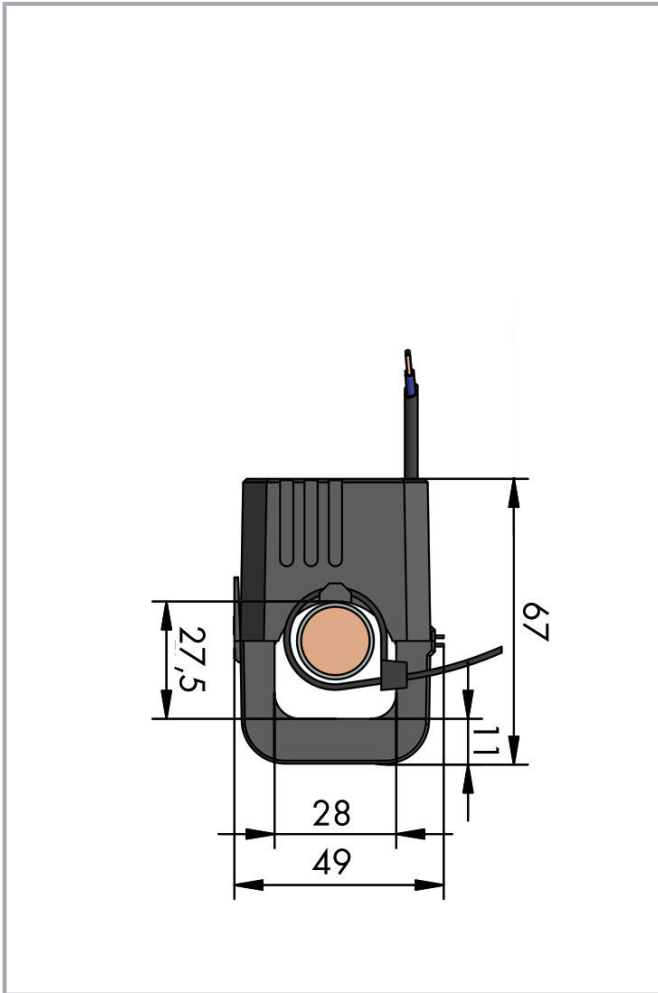
www.wago.com/855-4101/200-001



Subject to changes. Please also observe the further product documentation!

WAGO Kontakttechnik GmbH & Co. KG
Hansastr. 27
32423 Minden
Phone: +49571 887-0 | Fax: +49571 887-169
Email: info.de@wago.com | Web: www.wago.com

Do you have any questions about our products?
We are always happy to take your call at +49 (571) 887-44222.



Item description

Short description:

WAGO's compact split-core current transformers are ideal for retrofitting existing systems. They are perfect for applications in which the current path must not be disrupted.

The transformer's accuracy permits extremely precise current measurements. The split-core current transformers are capable of supplying the specified rated power at the end of the secondary cable. All transformers are supplied with color-coded cables. Two UV-resistant cable ties are also included for secure and easy mounting.

Features:

- Current ratios from 200 A (primary side) and 1 A (secondary side)
- No measuring cable interruption
- Ideal for use in very confined spaces

Subject to changes. Please also observe the further product documentation!



- Rapid mounting
- For use around insulated cables up to 28 mm diameter
- Compact and hinged
- Color-coded connecting cable 3 m

Data

Technical data

Accuracy class	1
Primary rated current	200 A
Rated continuous thermal current I_{cth}	100 %
Rated short-time thermal current I_{th}	$60 \times I_N / 1 \text{ s}$
Rated surge current I_{dyn}	$2.5 \times I_{th}$
Rated frequency	50 ... 60 Hz
Secondary rated current	1 A
Rated power S_r	0.2 VA

Safety and protection

Highest voltage for equipment U_m	AC 720 V _{rms}
Protection type	IP20
Test voltage	AC 3 kV; 50 Hz; 1 min

Connection data

Feedthrough for measurement conductor	Ø 28 mm
Cable type	2 x 0.5 mm ² ; fine-stranded
Color code	Brown = S1; blue = S2

Physical data

Cable length	3 m
--------------	-----

Mechanical data

Mounting type	Split-core current transformer (suspended)
---------------	--

Material data

Flammability class per UL94	V2
-----------------------------	----

Subject to changes. Please also observe the further product documentation!



Weight	340 g
--------	-------

Environmental requirements

Surrounding air temperature (operation)	-10 ... 55 °C
Surrounding air temperature (storage)	-20 ... 70 °C
Relative humidity	5 ... 85 % (without condensation)
Operating altitude (max.)	2000 m

Standards and specifications

Conformity marking	CE
Standards/Specifications	EN 61869-1 EN 61869-2

Commercial data

PU (SPU)	1 Stück
Packaging type	box
Country of origin	NL
GTIN	4050821880608
Customs tariff number	85043180888

Downloads**Documentation****Bid Text**

855-4101/200-001 doc - Datei	2015. 2. 5.	doc 31.7 kB	Download
855-4101/200-001 X81 - Datei	2019. 2. 19.	xml 5.3 kB	Download

Instruction Leaflet

Kabelumbau-Stromwandler	V 1.1.0 2020. 1. 15.	pdf 832.5 kB	Download
-------------------------	-------------------------	-----------------	----------

Additional Information

Disposal; Electrical and electronic equipment, Packaging	V 1.0.0	pdf 265.8 kB	Download
--	---------	-----------------	----------

Subject to changes. Please also observe the further product documentation!



Engineering-Software

Software for Interface-Products

WAGO Interface Configuration Software G2 FULL	1.0.7.9	exe	Download
The full setup, in addition to the WAGO Interface Configuration Software G2, includes the installation for the Microsoft .NET Framework.	2021. 4. 8.	114.0 MB	

WAGO Interface Configuration Software G2 SMALL	1.0.7.9	exe	Download
The full setup only includes the WAGO Interface Configuration Software G2.	2021. 4. 8.	30.0 MB	

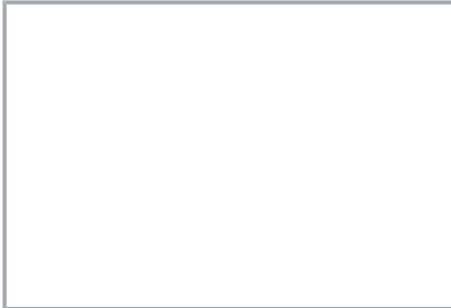
Environmental Product Compliance

Compliance Search

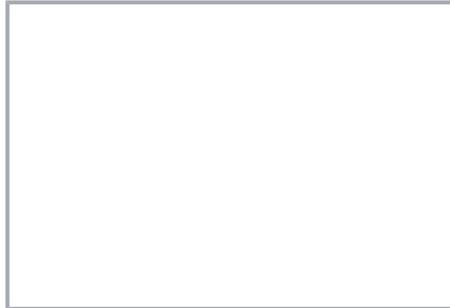
Environmental Product Compliance 855-4101/200-001	URL	Download
Split-core current transformer; Primary rated current: 200 A; Secondary rated current: 1 A; Rated power: 0.2 VA; Accuracy class: 1; Cable length: 3 m		

Installation Notes

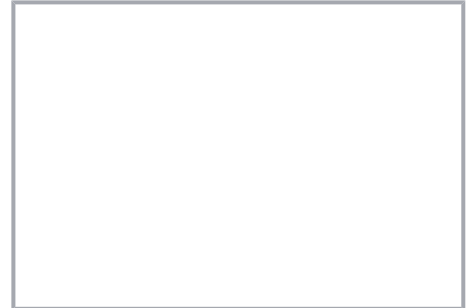
Installation



Simple termination!



Quick and easy mounting!



Subject to changes. Please also observe the further product documentation!