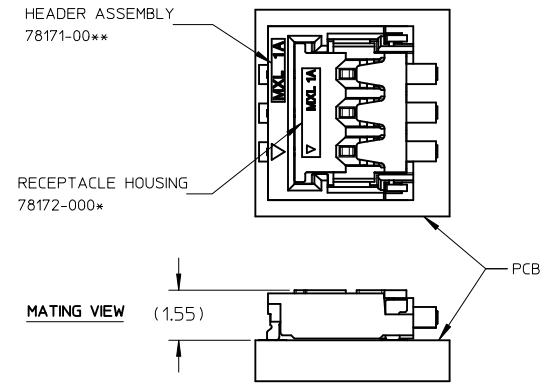


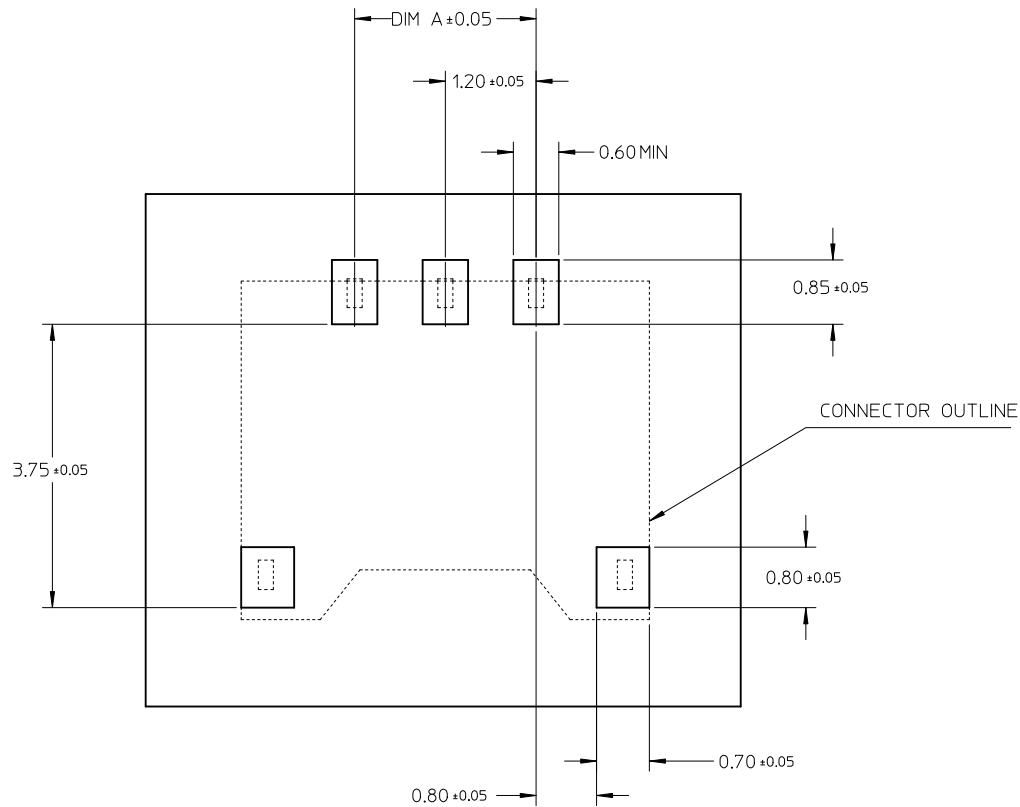
CKT SIZE	PART NUMBER	DIM A	DIM B	DIM C	DIM K	ANTI-WICKING
2	\triangleleft 78171-0002	1.2	2.6	4.2	1.5	YES
3	\triangleleft 78171-0003	2.4	3.8	5.4	2.7	YES
4	\triangleleft 78171-0004	3.6	5.0	6.6	3.9	YES
5	\triangleleft 78171-0005	4.8	6.2	7.8	5.1	YES

NOTES:

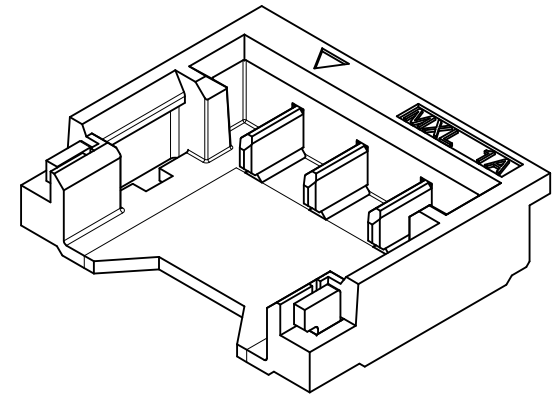
- MATERIALS:
HOUSING: LCP, UL94V-0, COLOUR : BLACK
TERMINAL: COPPER ALLOY
FITTING NAIL: COPPER ALLOY
- FINISHES:
TERMINAL : GOLD 0.14µm MIN. WITH 1.0 UM MIN NICKEL UNDERPLATE OVERALL
FITTING NAIL : 1.5 UM MIN TIN WITH 1.0UM MIN NICKEL UNDERPLATE OVERALL.
- PRODUCT SPECIFICATION: PS-78171-010
- PACKAGING SPECIFICATION: TAPE & REEL PACKAGING
- MATES WITH MOLEX PART NUMBER 78172-00**
- 3 CIRCUITS IS SHOWN FOR ILLUSTRATION PURPOSE ONLY
- SOLDERTAIL AND FITTING NAIL COPLANARITY : 0.10 MM MAX TO BE MEASURED BY PLACING THE CONNECTOR ON A FLAT GAUGED SURFACE.
- \triangleleft APPLY FLUX ANTI-WICKING SOLUTION ON HOUSING BEFORE TERMINAL ASSEMBLY.



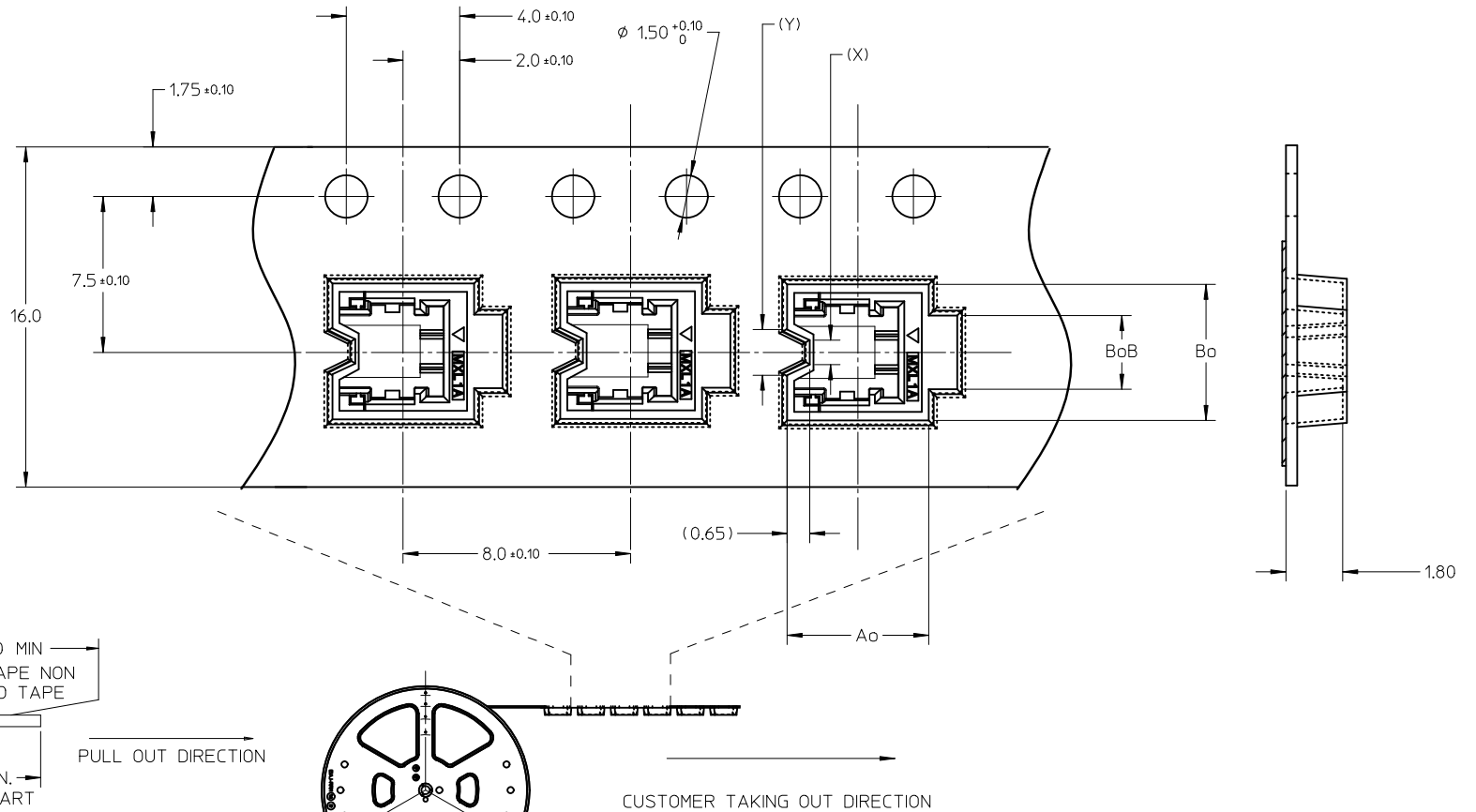
REVISED EC NO: J2011-0746 DRWN: C/LAM CHKD: APPR: NUKITA 2010/12/02 2011/03/17	QUALITY SYMBOLS	GENERAL TOLERANCES (UNLESS SPECIFIED)		DIMENSION STYLE		SCALE	DESIGN UNITS	THIRD ANGLE PROJECTION	
	$\nabla=0$	mm	INCH	MM ONLY		NTS	METRIC		
	$\nabla=0$	4 PLACES	± ---	± ---	DRAWN BY	DATE	TITLE		
		3 PLACES	± ---	± ---	C/LAM	2007/10/25	1.20MM PITCH, W-T-B PLUG CONNECTOR		
		2 PLACES	± 0.2	± ---	CHECKED BY	DATE	MOLEX INCORPORATED		
	1 PLACE	± 0.3	± ---	KSSHANTHA	2007/12/07	DOCUMENT NO.			
		ANGULAR ± 3 °		APPROVED BY	DATE	SHEET NO.			
		DRAFT WHERE APPLICABLE MUST REMAIN WITHIN DIMENSIONS		NUKITA	2010/10/25	SD-78171-008			
				MATERIAL NO.		1 OF 3			
				SIZE	THIS DRAWING CONTAINS INFORMATION THAT IS PROPRIETARY TO MOLEX INCORPORATED AND SHOULD NOT BE USED WITHOUT WRITTEN PERMISSION				
				A3					



RECOMMENDED PCB LAYOUT

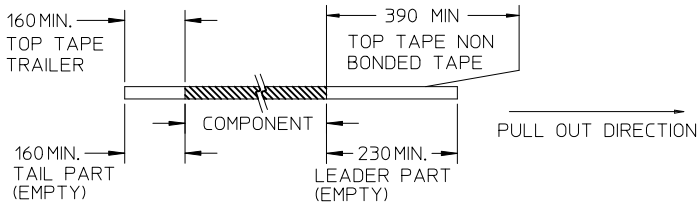


REVISED EC NO: J2011-0746 DRWN: CWLAM 2010/12/02 CHKD: APPR: NUKITA 2011/03/17 REV DESCRIPTION	QUALITY SYMBOLS	GENERAL TOLERANCES (UNLESS SPECIFIED)	DIMENSION STYLE	SCALE	DESIGN UNITS	THIRD ANGLE PROJECTION	
	▼=0 □=0	mm INCH 4 PLACES ± --- ± --- 3 PLACES ± --- ± --- 2 PLACES ± 0.2 ± --- 1 PLACE ± 0.3 ± --- ANGULAR ± 3 °	MM ONLY	NTS	METRIC		
		DRAFT WHERE APPLICABLE MUST REMAIN WITHIN DIMENSIONS	DRAWN BY: CWLAM CHECKED BY: KSSHANTHA APPROVED BY: NUKITA MATERIAL NO.: SEE TABLE	DATE: 2007/10/25 DATE: 2007/12/07 DATE: 2010/10/25	TITLE	1.20MM PITCH, W-T-B PLUG CONNECTOR	
					MOLEX INCORPORATED DOCUMENT NO.: SD-78171-008	SHEET NO.: 2 OF 3	

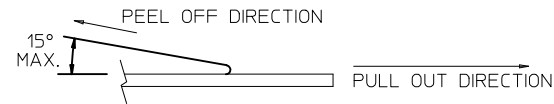


NOTES:

1. LEADER AND TRAILER TAPE



2. PEELING OFF FORCE OF THE TOP TAPE: 20 - 80gf.
(PEELING DIRECTION AS SHOWN IN FOLLOWING FIGURE)



- 3. TAPE AND REEL SPECIFICATION IS AS PER EIA-481.
- 4. TAPE AND REEL QUANTITY : 4500 PCS/ REEL.
- 5. MATERIAL : CARRIER TAPE : PP CLEAR
REEL / FLANGE : PS, COLOUR : BLACK
- 6. Ao & Bo ARE MEASURED ON A PLANE 0.3MM ABOVE THE BOTTOM OF THE POCKET.

CKT	Ao	Bo	BoB	(X)	(Y)	EMBOSS P/N	TOP TAPE P/N	REEL P/N
2	5.0	4.7	2.6	0.74	1.54	89990-2525	59499 -0102	89990-6802
3	5.0	5.9	3.8	1.94	2.74	89990-2526		
4	5.0	7.1	5.0	3.14	3.94	89990-2527		
5	5.0	8.3	6.2	4.34	5.14	89990-2529		

REVISED EC NO: J2011-0746 DRWN: CWLAM CHKD: APPR: NUKITA 2010/12/02 2011/03/17	QUALITY SYMBOLS	GENERAL TOLERANCES (UNLESS SPECIFIED)	DIMENSION STYLE	SCALE	DESIGN UNITS	THIRD ANGLE PROJECTION															
	$\nabla = 0$ $\square = 0$	<table border="1"> <tr> <th></th> <th>mm</th> <th>INCH</th> </tr> <tr> <td>4 PLACES</td> <td>± ---</td> <td>± ---</td> </tr> <tr> <td>3 PLACES</td> <td>± ---</td> <td>± ---</td> </tr> <tr> <td>2 PLACES</td> <td>± 0.2</td> <td>± ---</td> </tr> <tr> <td>1 PLACE</td> <td>± 0.3</td> <td>± ---</td> </tr> </table>		mm	INCH	4 PLACES	± ---	± ---	3 PLACES	± ---	± ---	2 PLACES	± 0.2	± ---	1 PLACE	± 0.3	± ---	MM ONLY	NTS	METRIC	
		mm	INCH																		
	4 PLACES	± ---	± ---																		
3 PLACES	± ---	± ---																			
2 PLACES	± 0.2	± ---																			
1 PLACE	± 0.3	± ---																			
REV	DESCRIPTION	DRAFT WHERE APPLICABLE MUST REMAIN WITHIN DIMENSIONS	DRAWN BY: CWLAM CHECKED BY: KSSHANTHA APPROVED BY: NUKITA DATE: 2007/10/25 DATE: 2007/12/07 DATE: 2010/10/25	TITLE	1.20MM PITCH, W-T-B PLUG CONNECTOR																
			SIZE: A3	DOCUMENT NO.	MOLEX INCORPORATED SD-78171-008																
			THIS DRAWING CONTAINS INFORMATION THAT IS PROPRIETARY TO MOLEX INCORPORATED AND SHOULD NOT BE USED WITHOUT WRITTEN PERMISSION																		