

TABLE 1

MOLEX P/N	ENG. NO.	CABLE LENGTH (mm)	LED
1202480028	BTB4050-FBW-05	5000	NO
1202480029	BTB4050-FBW-10	10000	NO
1202480030	BTB4050-FBW-15	15000	NO
1202480031	BTB405P-FBW-05	5000	YES
1202480032	BTB405P-FBW-10	10000	YES
1202480033	BTB405P-FBW-15	15000	YES
1202480034	BTB405N-FBW-05	5000	YES
1202480035	BTB405N-FBW-10	10000	YES
1202480036	BTB405N-FBW-15	15000	YES

TABLE 2 BILL OF MATERIAL

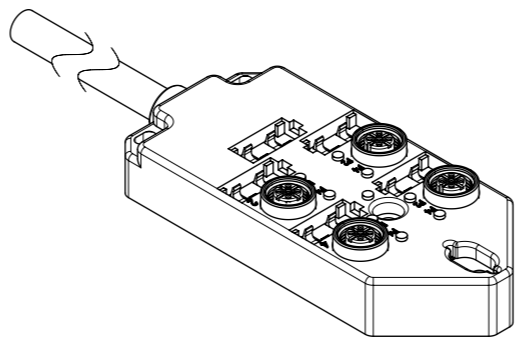
ITEM	DESCRIPTION	MATERIAL	FINISH
1	LABEL	ABS	WHITE
2	CABLE PLATE	PBT	BLACK
3	CABLE	TPU BASED	BLACK
4	CONTACT	BRONZE	GOLD OVER NICKEL
5	O-RING	FPM	RED
6	LED	NO LED = PA WITH LED = PA	BLACK TRANSPARENT
7	SHELL	BRASS	NICKEL PLATED
8	HOUSING	PBT	BLACK



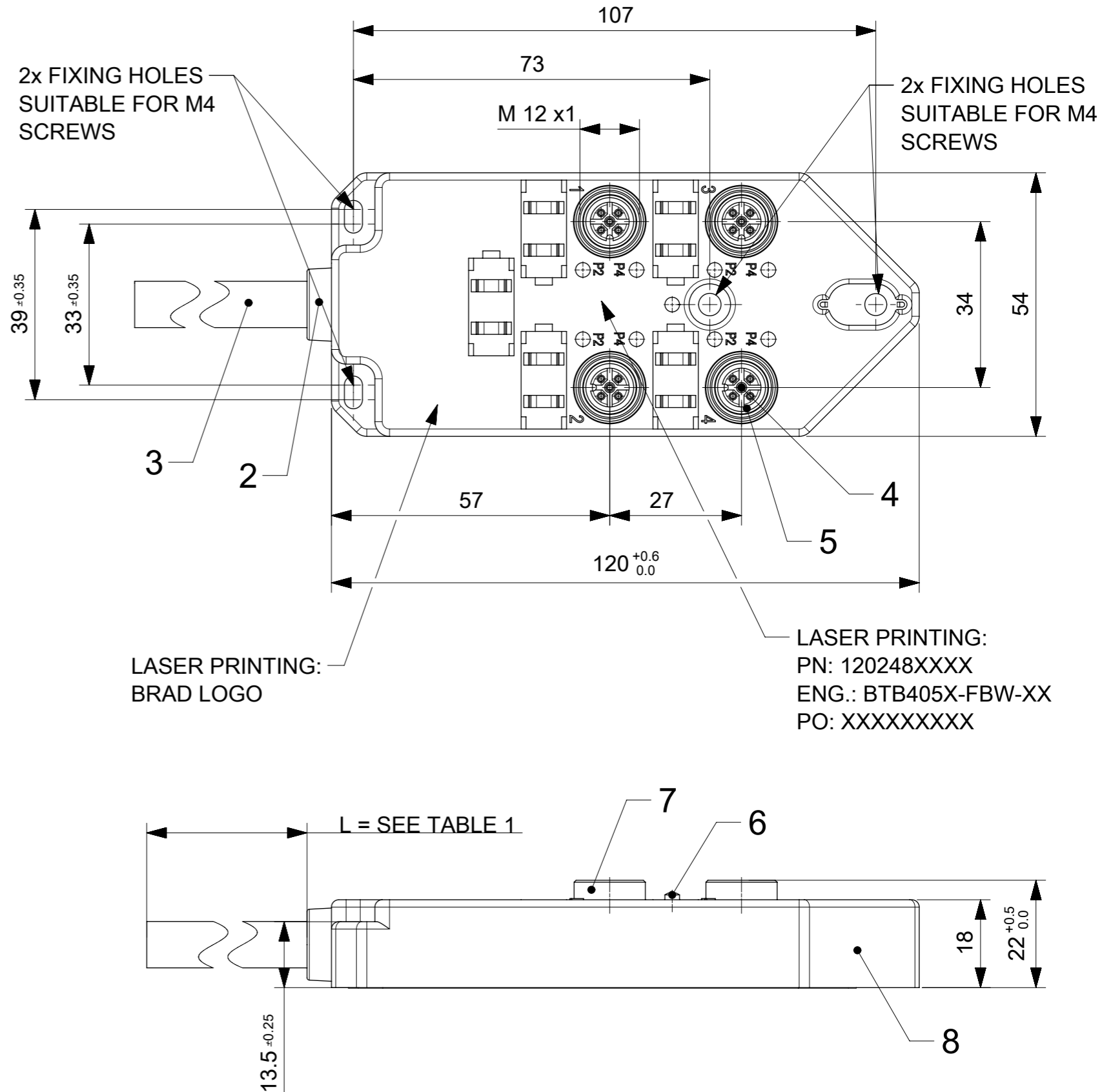
GENERAL CHARACTERISTICS:

ELECTRICAL AND MECHANICAL DATA ACC. TO IEC 61076-2-101

NOMINAL VOLTAGE: 10-30 V DC
 AMPERE RATING: 4 A PER PORT / 12 A MAX
 AMPERE RATING WITH UL REGISTRATION: 3 A PER PORT / 9 A MAX
 IP DEGREE OF PROTECTION: IP 67
 TEMPERATURE RANGE: -25°C to + 85°C

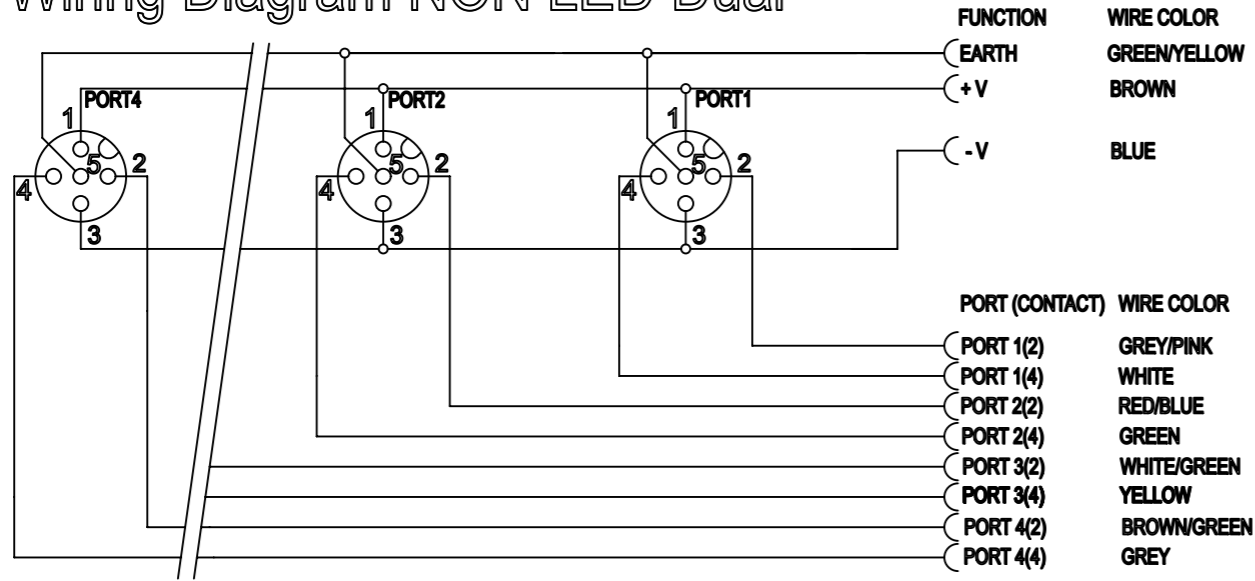


SCALE 1:2

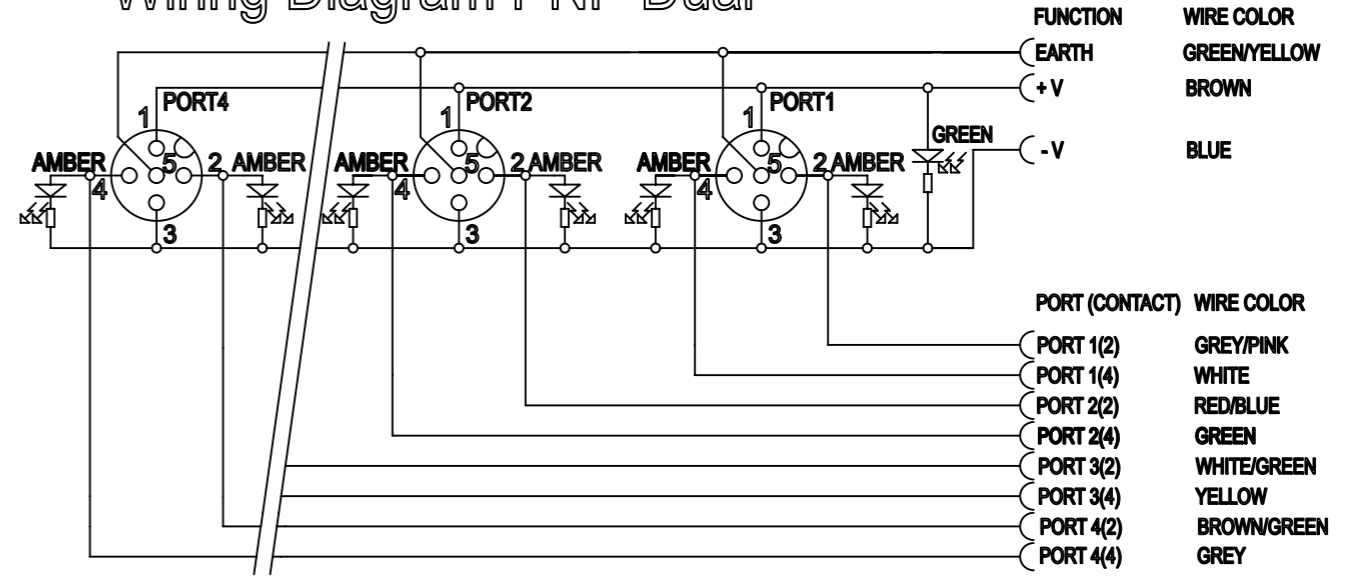


SYMBOLS		THIS DRAWING CONTAINS INFORMATION THAT IS PROPRIETARY TO MOLEX ELECTRONIC TECHNOLOGIES, LLC AND SHOULD NOT BE USED WITHOUT WRITTEN PERMISSION	
DIMENSION UNITS	SCALE	CURRENT REV DESC: LASER PRINT UPDATE	
mm		molex MPIS M12 PNP NOS 5P 4PT AC FE STR XM STA DUAL PRODUCT CUSTOMER DRAWING	
GENERAL TOLERANCES (UNLESS SPECIFIED)			
ANGULAR TOL	± °		
4 PLACES	±		
3 PLACES	±	EC NO: 606042	2018/08/28
2 PLACES	±	DRWN: SSM	2018/10/18
1 PLACE	±	CHK'D: RSILLER	2018/10/18
0 PLACES	± 0.25	APPR: RSILLER	
DRAFT WHERE APPLICABLE MUST REMAIN WITHIN DIMENSIONS		INITIAL REVISION:	
		DRWN: AAHLERS	2015/04/01
		APPR: RSILLER	2015/05/20
THIRD ANGLE PROJECTION		DRAWING	SERIES
		A3-SIZE	120248
MATERIAL NUMBER		CUSTOMER	SHEET NUMBER
SEE TABLE 1		GENERAL MARKET	1 OF 2

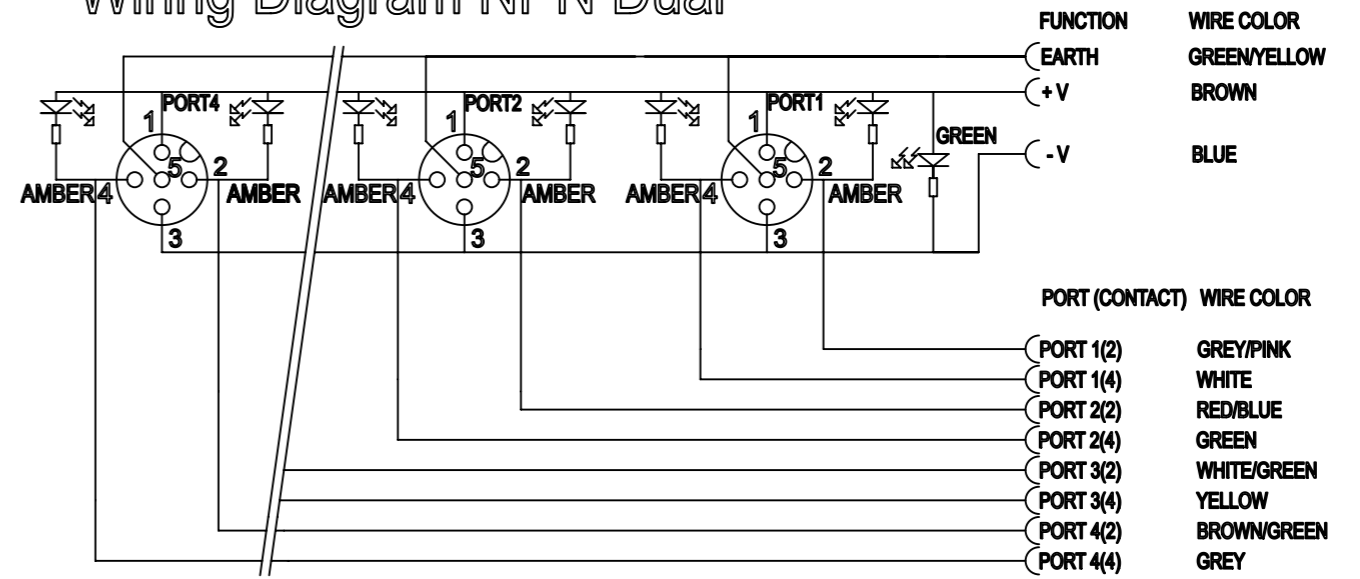
Wiring Diagram NON LED Dual



Wiring Diagram PNP Dual



Wiring Diagram NPN Dual



SYMBOLS DIMENSION UNITS SCALE ▽ = 0 mm ▽ = 0 GENERAL TOLERANCES (UNLESS SPECIFIED) ▽ = 0 ANGULAR TOL ± ° ▽ = 0 4 PLACES ± ▽ = 0 3 PLACES ± ▽ = 0 2 PLACES ± ▽ = 0 1 PLACE ± ▽ = 0 0 PLACES ± 0.25 ■ = 0 DRAFT WHERE APPLICABLE MUST REMAIN WITHIN DIMENSIONS ▽ = 0	THIS DRAWING CONTAINS INFORMATION THAT IS PROPRIETARY TO MOLEX ELECTRONIC TECHNOLOGIES, LLC AND SHOULD NOT BE USED WITHOUT WRITTEN PERMISSION		CURRENT REV DESC: LASER PRINT UPDATE			
	EC NO: 606042		2018/08/28			MPIS M12 PNP NOS 5P 4PT AC FE STR XM STA DUAL
	DRWN: SSM		2018/10/18			
	CHK'D: RSILLER		2018/10/18			
APPR: RSILLER		2018/10/18		PRODUCT CUSTOMER DRAWING		
INITIAL REVISION:		DOCUMENT NUMBER		DOC TYPE DOC PART REVISION		
DRWN: AAHLERS		1202480028		PSD 000 B		
APPR: RSILLER		2015/04/01				
THIRD ANGLE PROJECTION		DRAWING		SHEET NUMBER		
A3-SIZE		120248		2 OF 2		
MATERIAL NUMBER		CUSTOMER				
SEE TABLE 1		GENERAL MARKET				