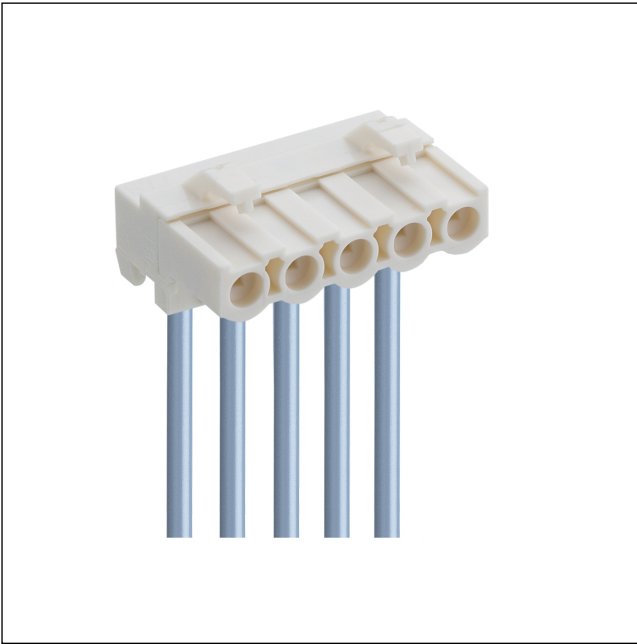


67

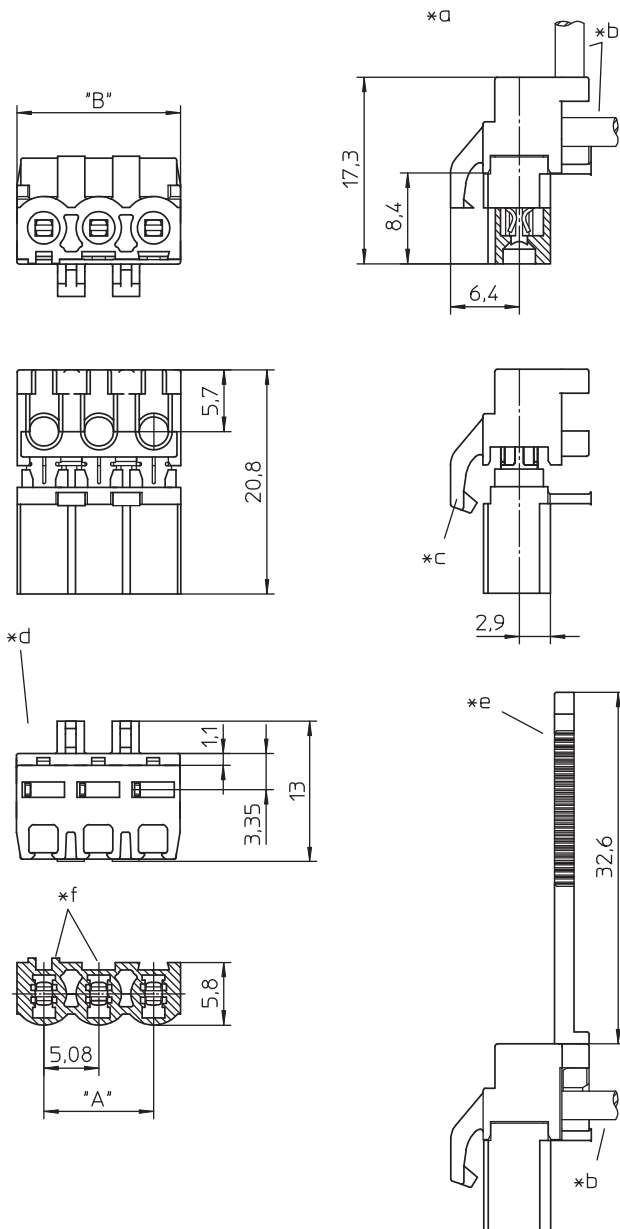
6770

Pluggable terminal blocks on pin headers, pitch 5.08 mm



Pluggable terminal block, insulation displacement technique (IDT), with locking and test hole, cable departure 90° or 180° to plugging direction, stringable without loss of pitch

67 6770



#### Environmental conditions

Temperature range -25 °C/+100 °C

#### Materials

Insulating body PBT, V-0 according to UL94  
Contact spring CuSn, tin-plated

#### Mechanical data

Insertion force/contact ≤ 5 N  
Withdrawal force/contact ≥ 2 N

#### Connectable conductors for IDT area

Construction discrete conductor, notched flat cable 5.08 mm  
Section min. 0,20 mm<sup>2</sup>  
Section max. 0,75 mm<sup>2</sup>  
Insulation diameter ≤ 2,5 mm  
Approved cables at [www.lumberg.com](http://www.lumberg.com)

#### Electrical data (at T<sub>amb</sub> 20 °C)

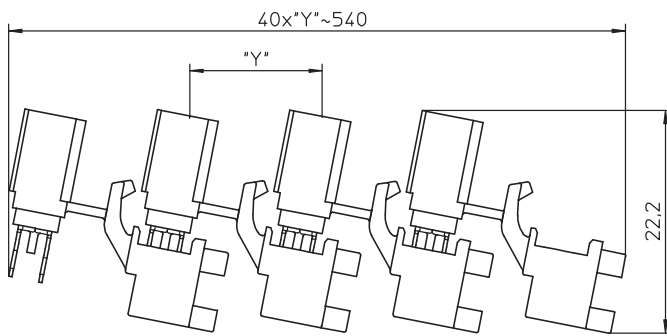
Contact resistance ≤ 5 mΩ  
Rated current 6 A (0,75 mm<sup>2</sup>, T<sub>v</sub> 70 °C)  
Rated voltage 250 V AC  
Material group IIIa (CTI ≥ 250)  
Overvoltage category III (2,5 kV)  
Creepage distance ≥ 3,2 mm  
Clearance ≥ 3,2 mm  
Insulation resistance > 10 GΩ

#### Associated products

Counterparts  
☞ ME 010-508 ☞ ME 020-508 ☞ ME 030-508  
☞ ME 040-508

67

6770



- \*a terminated connector
- \*b cable departure 90° or 180°
- \*c locking
- \*d test hole
- \*f keying

67

6770

Designation	Pole Number	PU (Pieces)	MDQ (Pieces)	Dimensions	
				A (mm)	B (mm)
6770 02	2	2640	2640	5.08	10.06
6770 03	3	1680	1680	10.16	15.14
6770 04	4	1200	1200	15.24	20.22
6770 05	5	960	960	20.32	25.30
6770 06	6	720	720	25.40	30.38
6770 07	7	720	720	30.48	35.46

**Packaging:**

chained, in a cardboard box