

**PLEASE CHECK WWW.MOLEX.COM FOR LATEST PART INFORMATION**

**Part Number:** [0687690024](#)  
**Status:** **Active**  
**Overview:** [ieee 1394](#)  
**Description:** IEEE 1394B Bilingual 9-pin-to-6-pin Cable Assembly, 1.0m (3.28' ) Length

**Documents:**

[Drawing \(PDF\)](#) [RoHS Certificate of Compliance \(PDF\)](#)  
[Product Specification PS-68769-001 \(PDF\)](#)

**General**

Product Family	Cable Assemblies
Series	<a href="#">68769</a>
Connector to Connector	IEEE 1394b-2002-to-IEEE 1394-1
Overview	<a href="#">ieee 1394</a>
Product Name	IEEE 1394

**Physical**

Cable Length	1.0m (3.28' )
Circuits (Loaded)	6, 9
Color - Resin	Natural
Gender	Male-Male
Lock to Mating Part	Yes
Material - Resin	Low Density Polyethylene
Packaging Type	Bag
Single Ended	No
Wire Insulation Diameter	N/A
Wire Size AWG	N/A
Wire/Cable Type	Round

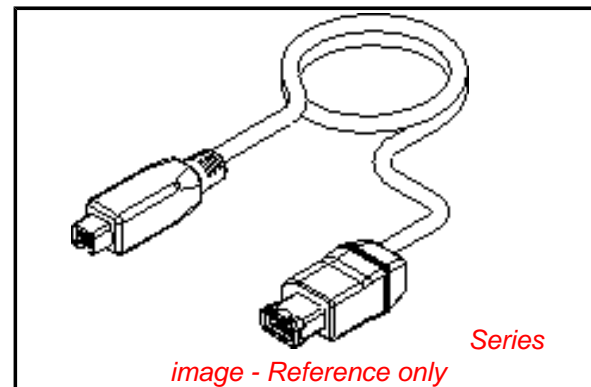
**Electrical**

Current - Maximum per Contact	1.5A
Impedance	110 ohms
Shielded	Yes
Voltage - Maximum	30V

**Material Info**

**Reference - Drawing Numbers**

Product Specification	PS-68769-001
Sales Drawing	SD-68769-024



**EU RoHS**

**ELV and RoHS  
Compliant**  
**REACH SVHC  
Not Reviewed**  
**Halogen-Free  
Status**

**China RoHS**



**Need more information on product  
environmental compliance?**

Email [productcompliance@molex.com](mailto:productcompliance@molex.com)  
For a multiple part number RoHS Certificate of  
Compliance, [click here](#)

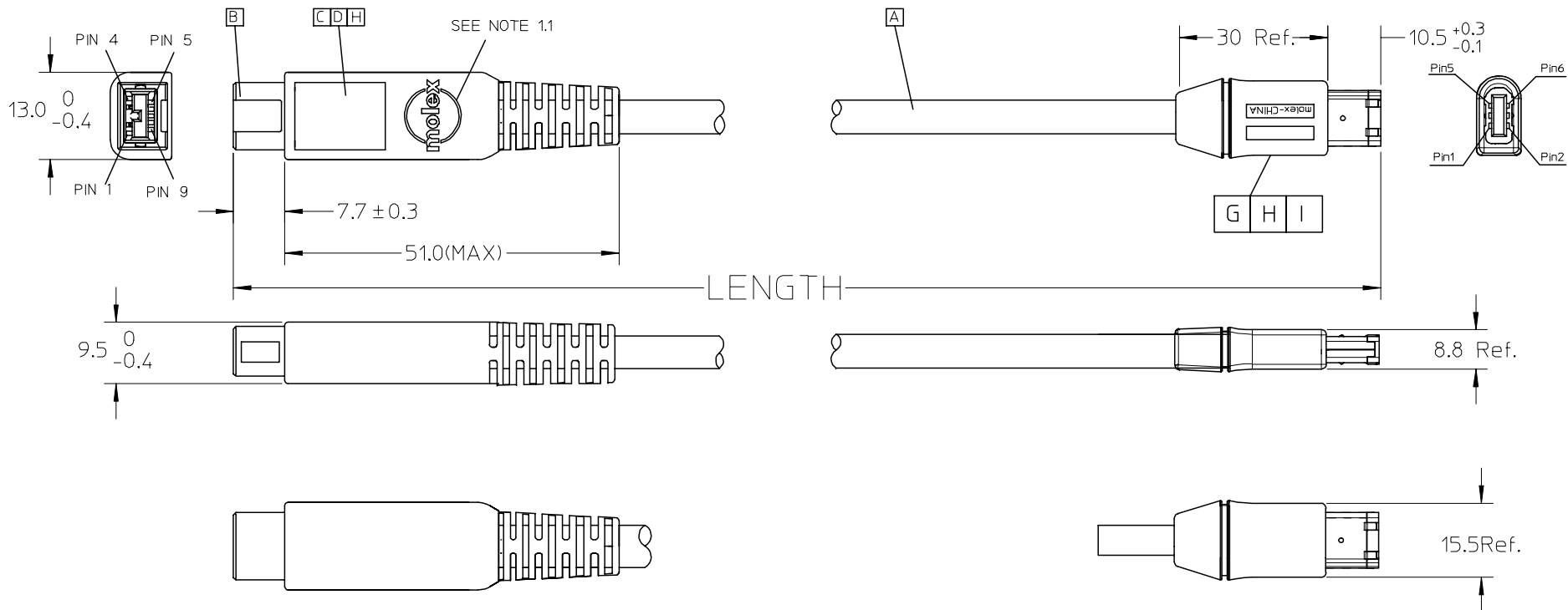
Please visit the [Contact Us](#) section for any  
non-product compliance questions.

**Search Parts in this Series**

[68769Series](#)

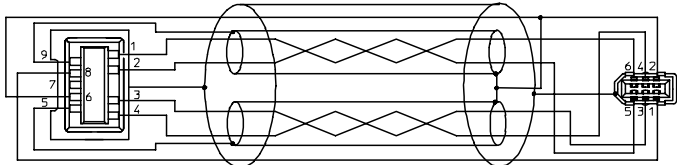
**Mates With**

[44647](#) IEEE 1394b-2002 Shielded I/O PCB  
Bilingual Socket. [53462](#) EEE 1394-1995  
Shielded I/O PCB Socket



ENTER DESCRIPTION EC NO: DG2006-0086 DRWN: JFZHENG CHKD: APPR: DQLUO	2005/10/15 2005/10/17 2006/08/25	DESCRIPTION 1	REV	QUALITY SYMBOLS ▽=0 ◻=0	GENERAL TOLERANCES (UNLESS SPECIFIED)		DIMENSION STYLE MM ONLY		SCALE ---	DESIGN UNITS METRIC	THIRD ANGLE PROJECTION				
					4 PLACES	± ---	± ---	DRAWN BY JFZHENG	DATE 2005/10/13	TITLE IEEE1394 9P TO 6P CABLE ASS'Y					
					3 PLACES	± ---	± ---	CHECKED BY JFZHENG	DATE 2005/10/13						
					2 PLACES	± ---	± ---	APPROVED BY DQLUO	DATE 2005/10/13	MOLEX INCORPORATED					
					1 PLACE	± ---	± ---	ANGULAR ±1/2°							
DRAFT WHERE APPLICABLE MUST REMAIN WITHIN DIMENSIONS					SIZE A4	THIS DRAWING CONTAINS INFORMATION THAT IS PROPRIETARY TO MOLEX INCORPORATED AND SHOULD NOT BE USED WITHOUT WRITTEN PERMISSION									

WIRING DIAGRAM:



MATERIAL LIST:

ITEM	DESCRIPTION	L	QTY.
H	1394B SOLDER I/O CONN.172000528		1
G	SHELL COVER 598550600		1
F	SHELL BODY 598560600		1
E	1394 6P PLUG 528740611		1
D	1394B REAR SHELL,172000531		1
C	1394B FRONT SHELL,172000529		1
B	1394 9PIN BILINGUAL PLUG 172000533		1
A	2P*28AWG+1C+1,SHLD,PVC,GY,6.0MM,1394 6P,887808447		1

PIN OUT TABLE

Plug1: IEEE1394-1995 6-circuit plug contact number	Signal name at plug 2 end: IEEE Std 1394-1995 cable reference	Plug2: Bilingual plug contact number
5	TPB*(Twisted pair B Minus) (RED)	1
6	TPB(Twisted pair B Plus) (GREEN)	2
3	TPA*(Twisted Pair A minus) (BLUE)	3
4	TPA(Twisted pair A Plus) (Orange)	4
2	TPA(R) Twisted Pair A Ground Rederence)	5
2	VG(Power Ground)	6
no connection	NO connection	7(no connection)
1	Vp(Power Voltage)	8
2	TPB(R)Twisted Pair B Ground Reference)	9
PLUG SHIELD	Cable Shield Ground	Plug shield

NOTE:

- 1. 9PIN OVEROLD WITH GREY PVC 887800152.
- 6PIN OVERMOLD WITH GREY PVC 887800153

TABLE A

MX P/N	DESCRIPTION	LENGTH
68769-0026	1394B BILINGUAL 9P TO 6P 4.5M GREY	4500±40
68769-0025	1394B BILINGUAL 9P TO 6P 2.0M GREY	2000±25
68769-0024	1394B BILINGUAL 9P TO 6P 1.0M GREY	1000±25

ENTER DESCRIPTION EC NO: DG2006-0086 DRWN: JFZHENG CHKD: APPR: DQLUO	2005/10/15 2005/10/17 2006/08/25	DESCRIPTION 1	QUALITY SYMBOLS ▽=0 ▽=0	GENERAL TOLERANCES (UNLESS SPECIFIED)		DIMENSION STYLE MM ONLY		SCALE ---	DESIGN UNITS METRIC	THIRD ANGLE PROJECTION			
					mm	INCH	DRAWN BY JFZHENG	DATE 2005/10/13	TITLE IEEE1394 9P TO 6P CABLE ASS'Y				
				4 PLACES	±---	±---	CHECKED BY JFZHENG	DATE 2005/10/13					
				3 PLACES	±---	±---	APPROVED BY DQLUO	DATE 2005/10/13	MATERIAL NO. 6876900-24~26				
2 PLACES	±---	±---	ANGULAR ±1/2°		DOCUMENT NO. SD-68769-024		SHEET NO. 2 OF 2						
1 PLACE	±---	±---	DRAFT WHERE APPLICABLE MUST REMAIN WITHIN DIMENSIONS		THIS DRAWING CONTAINS INFORMATION THAT IS PROPRIETARY TO MOLEX INCORPORATED AND SHOULD NOT BE USED WITHOUT WRITTEN PERMISSION								