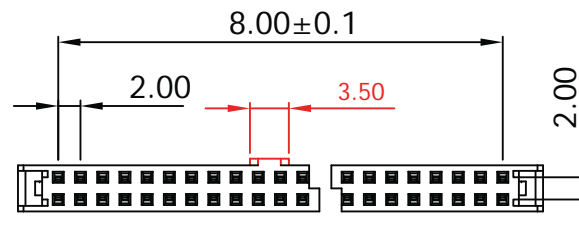
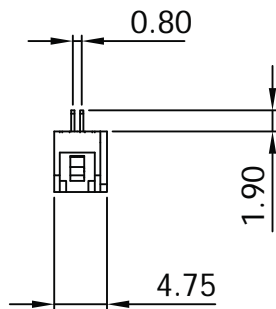
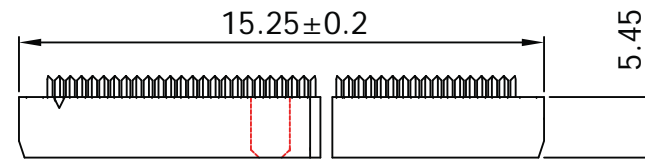
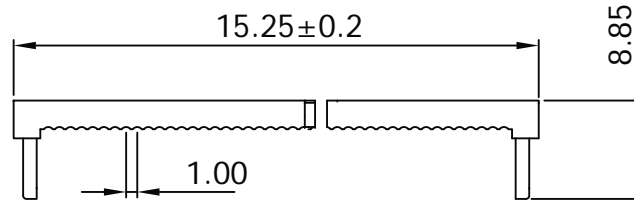
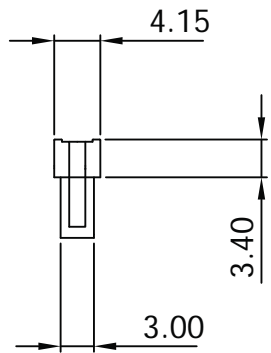
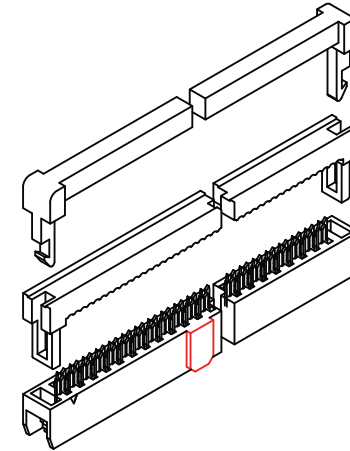


SR

I.D.C. SOCKET DUAL-ROW



Material:

- Insulator: P.B.T. 30% Glass Fiber, UL 94V-0
- Contact Material: Phosphor Bronze, Gold flash over Nickel

Electrical:

- Current Rating: 1Amp DC
- Insulation Resistance: 1,000MΩ Min.
- Dielectric Withstanding: 500V AC
- Operating Temperature: -55°C ~ +105°C

Scale	1:1					Date	Name	Title IDC Socket - 10 contact Gold flash, 2.00mm pitch, w/central polarisation, w/strain relief
TOLERANCE						Drawn	19.10.11	
X.X	±0.40					Approved		
X.XX	±0.25							ASSMANN WSW-No.
X.XXX	±0.15							AWP2-10-7241
DIM	TOL							Drawing-No.
X.°	±3°							rev00
X.X°	±X°	①	Updated part number	09.08.13	Wilson			Replace
Angle	TOL	Id.	Modification	Date	Name			Sheet

Unit: mm

