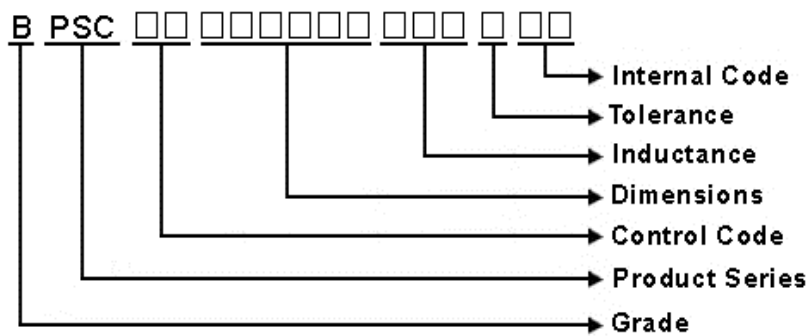


BPSC00060630 Series Specification

1 Scope: This specification applies to SMD Shielded Power Choke

2 Part Numbering:

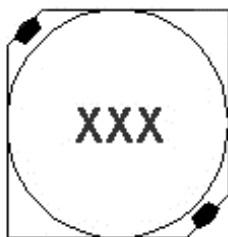


3 Rating:

Operating Temperature: $-30^{\circ}\text{C} \sim 100^{\circ}\text{C}$ (Including self - temperature rise)

Storage Temperature: $20^{\circ}\text{C} \sim 25^{\circ}\text{C}$ R.H. 65% (In Tape & Reel Condition)

4 Marking:



Ex Marking : 3R3

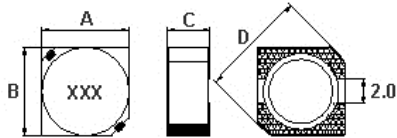
Marking color : Black

5 Standard Testing Condition

	Unless otherwise specified	In case of doubt
Temperature	Ordinary Temperature(15 to 35°C)	20 to 30°C
Humidity	Ordinary Humidity(25 to 85% RH)	50 to 80 %RH

BPSC00060630 Series Specification

6 Configuration and Dimensions:



Dimensions in mm

TYPE	A	B	C	D
060630	5.7±0.3	5.7±0.3	3 Max.	8.2Max.

7 Electrical Characteristics:

Part No.	Inductance (uH)	Test Freq.	RDC (Ω)Max.	Isat(A) Max(Typ)	Tolerance (±%)	Marking
BPSC000606301R0□S0	1	10 kHz,1 V	0.015	3.50(4.20)	30	1R0
BPSC000606301R5□S0	1.5	10 kHz,1 V	0.015	2.80(3.70)	30	1R5
BPSC000606302R2□S0	2.2	10 kHz,1 V	0.018	2.40(3.10)	30	2R2
BPSC000606302R5□S0	2.5	10 kHz,1 V	0.022	2.30(2.70)	30	2R5
BPSC000606302R6□S0	2.6	10 kHz,1 V	0.022	2.20(2.60)	30	2R6
BPSC000606302R7□S0	2.7	10 kHz,1 V	0.024	2.20(2.60)	30	2R7
BPSC000606303R0□S0	3	10 kHz,1 V	0.024	2.20(2.50)	30	3R0
BPSC000606303R3□S0	3.3	10 kHz,1 V	0.027	2.10(2.50)	30	3R3
BPSC000606304R2□S0	4.2	10 kHz,1 V	0.031	2.00(2.20)	30	4R2
BPSC000606304R3□S0	4.3	10 kHz,1 V	0.041	1.80(2.10)	30	4R3
BPSC000606304R7□S0	4.7	10 kHz,1 V	0.038	1.60(2.00)	20,30	4R7
BPSC000606305R0□S0	5	10 kHz,1 V	0.038	1.50(1.90)	30	5R0
BPSC000606305R3□S0	5.3	10 kHz,1 V	0.038	1.50(1.90)	20,30	5R3
BPSC000606306R2□S0	6.2	10 kHz,1 V	0.045	1.20(1.80)	20,30	6R2
BPSC000606306R8□S0	6.8	10 kHz,1 V	0.05	1.20(1.60)	20,30	6R8
BPSC000606308R2□S0	8.2	10 kHz,1 V	0.053	1.00(1.50)	20,30	8R2
BPSC00060630100□S0	10	10 kHz,1 V	0.065	0.95(1.40)	20,30	100
BPSC00060630120□S0	12	10 kHz,1 V	0.076	0.90(1.30)	20,30	120
BPSC00060630150□S0	15	10 kHz,1 V	0.103	0.85(1.10)	20,30	150
BPSC00060630180□S0	18	10 kHz,1 V	0.11	0.80(1.00)	30	180
BPSC00060630220□S0	22	10 kHz,1 V	0.122	0.75(0.92)	20,30	220
BPSC00060630270□S0	27	10 kHz,1 V	0.175	0.65(0.82)	30	270
BPSC00060630330□S0	33	10 kHz,1 V	0.189	0.60(0.75)	30	330
BPSC00060630390□S0	39	10 kHz,1 V	0.212	0.55(0.70)	30	390
BPSC00060630470□S0	47	10 kHz,1 V	0.25	0.50(0.62)	20,30	470

NOTE: □-tolerance M=±20% / T=±30%

1.Operating temperature range – 3 0 °C ~ 1 0 0 °C (Including self - temperature rise)

2.Isat for Inductance drop 35% from its value without current.

3.RDC test method: place testing device to the 2 solder ends of winding and test the value.

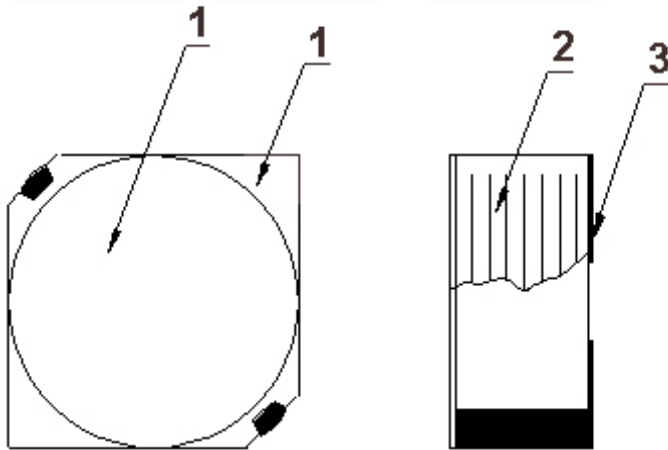
BPSC00060630 Series Specification

Part No.	Inductance (μ H)	Test Freq.	RDC (Ω)Max.	Isat(A) Max(Typ)	Tolerance (\pm %)	Marking
BPSC00060630560□S0	56	10 kHz,1 V	0.305	0.48(0.59)	30	560
BPSC00060630680□S0	68	10 kHz,1 V	0.355	0.42(0.52)	30	680
BPSC00060630820□S0	82	10 kHz,1 V	0.463	0.39(0.46)	30	820
BPSC00060630101□S0	100	10 kHz,1 V	0.52	0.35(0.42)	20,30	101
BPSC00060630181□S0	180	10 kHz,1 V	1.05	0.21(0.31)	30	181
BPSC00060630221□S0	220	10 kHz,1 V	1.2	0.20(0.30)	30	221
BPSC00060630331□S0	330	10 kHz,1 V	1.7	0.15(0.24)	20,30	331
BPSC00060630391□S0	390	10 kHz,1 V	1.8	0.13(0.22)	30	391
BPSC00060630471□S0	470	10 kHz,1 V	2.5	0.11(0.21)	20,30	471
BPSC00060630561□S0	560	10 kHz,1 V	3.2	0.10(0.17)	20,30	561

BPSC00060630 Series Specification

8 BPSC00060630 Series

8.1 Construction:



8.2 Material List:

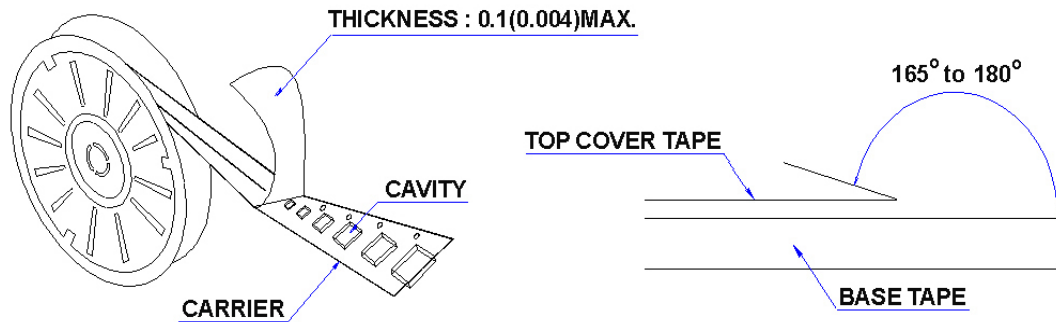
No	Part	Material
1	CORE	FERRITE
2	WIRE	MAGNET WIRE
3	TERMINAL	TERMINAL COPPER

BPSC00060630 Series Specification

9 Packaging:

9.1 Packaging -Cover Tape

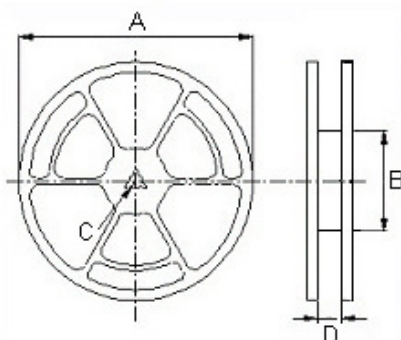
The force for tearing off cover tape is 10 to 130 grams in the arrow direction.



9.2 Packaging Quantity

TYPE	PCS/REEL
060630	1500

9.3 Reel Dimensions



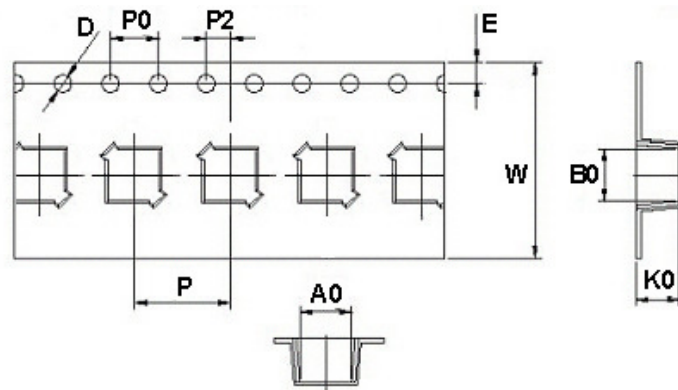
Dimensions in mm

TYPE	A	B	C	D
060630	330	100	13	16

BPSC00060630 Series Specification

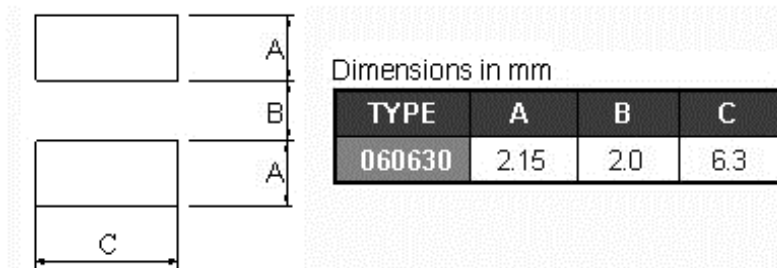
9 Packaging:

9.4 Tape Dimensions in mm



TYPE	A0	B0	K0	D	E	W	P	P0	P2
060630	6.2	6.2	3.1	1.55	1.75	16	12	4	2

10 Recommended Land Pattern:



11 Note:

1. Please make sure that your product has been evaluated and confirmed against your specifications when our product is mounted to your product.
2. Do not knock nor drop.
3. All the items and parameters in this product specification have been prescribed on the premise that our product is used for the purpose, under the condition and in the environment agreed upon between you and us. You are requested not to use our product deviating from such agreement.
4. Please keep the distance between transformer/coil and other components (refer to the standard IEC 950)
5. The moisture sensitivity level (MSL) of products is classified as level 1.

BPSC00060630 Series Specification

12 Graph: BPSC00060630270TS0

