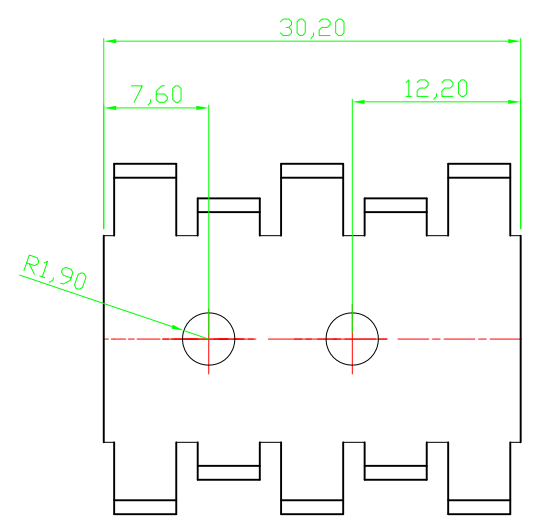
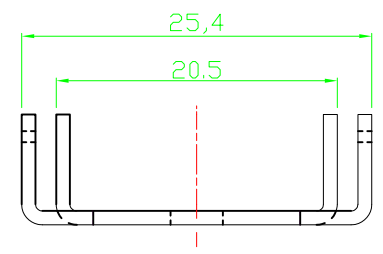
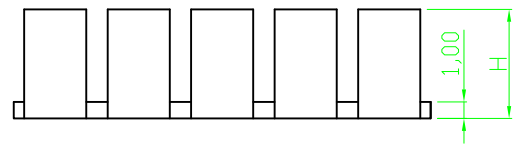


RoHS compliant



Notes
Material:AL99.5-1mm

Option	Dimension H	Version	Thermal resistance
V5236B-T	7,9mm	Black anodized	18
V5237B-T	12,7mm	Black anodized	15

Scale	1:1					Date	Name	Customer-No.
TOLERANCE					Drawn	12.10.2009	Schulz	
X.	±X	④	Modify P/N	09.10.2010	Dean	Approved	09.10.2010	ASSMANN WSW-No. V5236B-T V5237B-T
X.X	±X	③	Update	10.09.2010	Schulz			
X.XX	±X	②	Changed dimension	20.07.2010	Rale			Drawing-No. ASS 0475A HS rev04
DIM	TOL	①	Drawn	12.10.2009	Schulz			
X.°	±X°							
X.X°	±X°							
Angle	TOL	Id.	Modification	Date	Name			Replace Sheet

